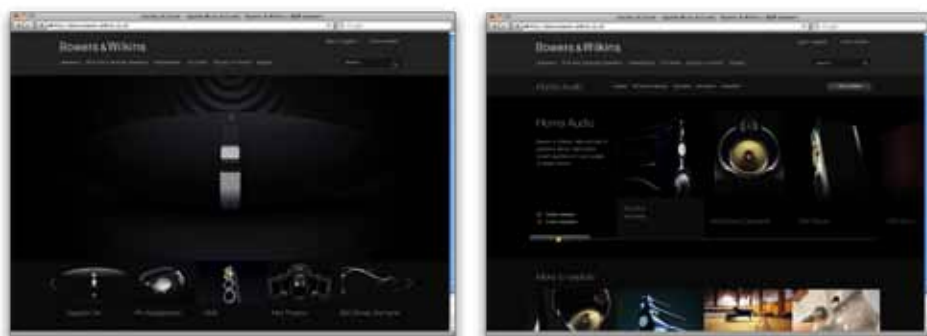


Bowers & Wilkins

ISW-3

Welcome to Bowers & Wilkins and ISW-3

Thank you for choosing Bowers & Wilkins. When John Bowers first established our company he did so in the belief that imaginative design, innovative engineering and advanced technology were keys that could unlock the enjoyment of audio in the home. His belief is one that we continue to share and it inspires every product we design.



1 Contents

Check that you have the following components shown in Figure 1:

- a. Subwoofer
- b. Louvre fascia (white)
- c. Louvre (black)
- d. Cowl extension
- e. Cut-out template
- f. Gasket strips
- g. Angle support brackets
- h. No.8 x 12mm (0.5in) screws
- i. M3 x 35mm (1.38in) button head screws
- j. Support bar
- k. Rubber feet & locknuts
- l. No.4 x 10mm (0.38in) csk screws
- m. No.6 x 25mm (1in) csk screws

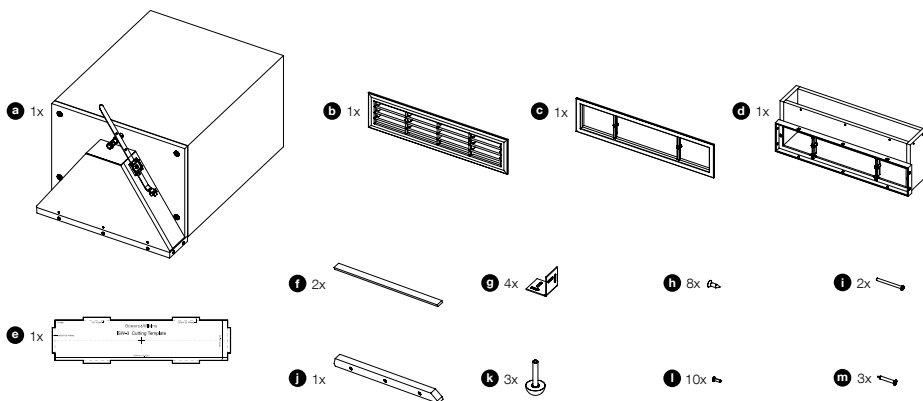


Figure 1

In addition, you should also have a Quick Start Guide and warranty leaflet. This manual provides more detail than the Quick Start Guide.

Consult your dealer if any parts are missing or appear damaged.

2 Applications

There are four possible applications, each covered by a separate section:

In-ceiling - new construction only (Figure 2)
Go to Section 3.

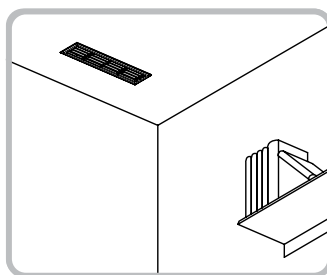


Figure 2

In-wall - new construction only (Figure 3)
Go to Section 4.

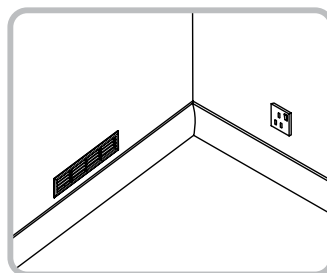


Figure 3

Under the floor (Figure 4)
Go to Section 5.

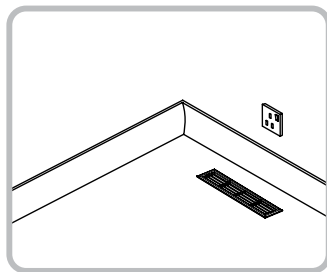


Figure 4

In a kitchen unit (Figure 5)
Go to Section 6.

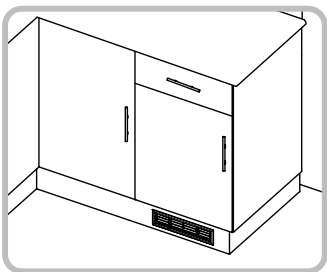


Figure 5

3 Installation in-ceiling

The speaker will fit between joists with standard 40cm (16in) or greater spacing, such that the visible louvre straddles the gap between them. A clearance of 25cm (10in) or greater behind the underside face of the joists is required.

Mark the centre line of the desired louvre position on the underside face of the joists at each side. Make two further marks on both joists at approximately 75mm (3in) and 380mm (15in) from the louvre centre line for the cabinet support brackets (Figure 6).

Screw the four L-brackets (g) as shown to the inside vertical faces of the joists (screws not supplied), ensuring the brackets are square and flush with the underside face of the joists.

Run appropriate gauge speaker cable to the installation point. Secure it to the joists so it cannot rattle, with the final tie point close to the marked louvre centre line near the top of the joist. Leave approximately 30cm – 50cm (12in - 20in) free at the end (Figure 7).

Attach the support bar (j) to the cowl using the three No.6 x 25mm screws (m) and pre-drilled holes (Figure 8).

Remove the backing paper and apply the two self-adhesive gasket strips (f), one to the support bar and one to the cabinet at the other side of the louvre frame. These will bear on the drywall panel to avoid rattles (Figure 9).

Lift the speaker to rest as shown on the four L-brackets. If the joist spacing is too great to allow screwing through the brackets into the cabinet, a custom support method will need to be applied by the installer.

Line the centre of the louvre aperture with the marks on the joists and square it up relative to the walls.

Fix the cabinet position, using the No.8 x 12mm self-tapping screws (h) through the L-brackets into the cabinet (Figure 10).

The louvre frame will protrude below the bottom face of the joists.

Strip the ends of the cable and connect to the spring terminals on the cabinet, observing correct polarity.

To prevent rattles, secure the excess cable using the cable tie attached to the subwoofer (Figure 11).

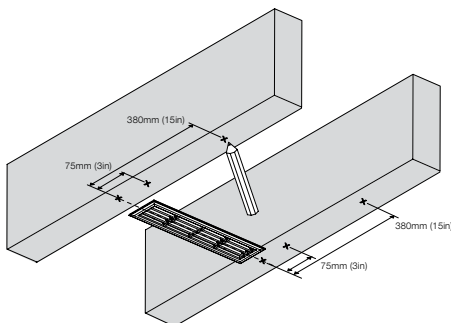


Figure 6

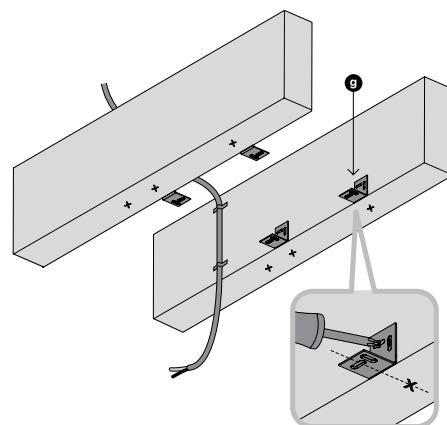


Figure 7

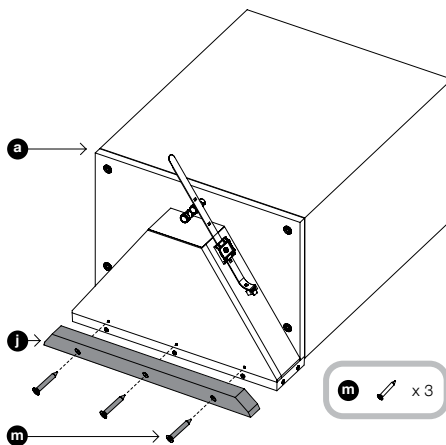


Figure 8

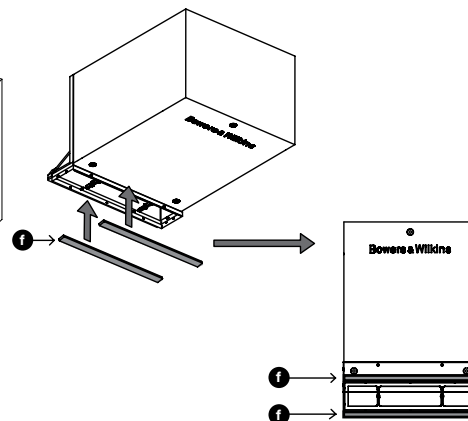


Figure 9

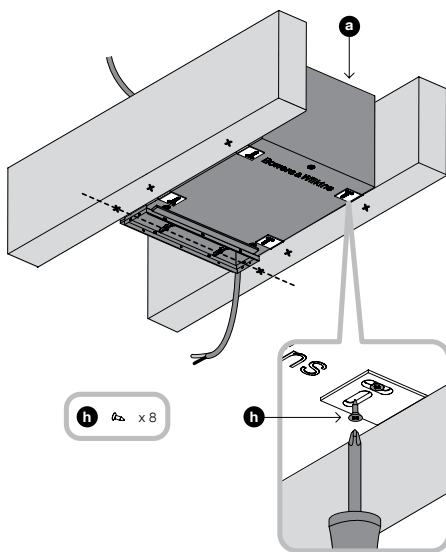


Figure 10

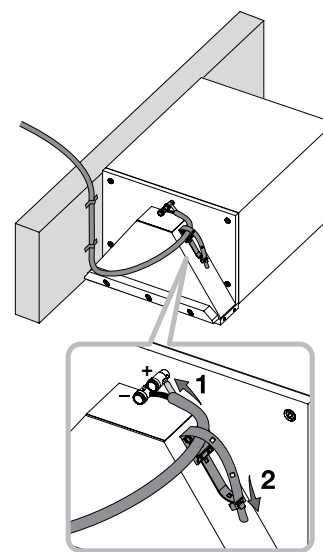


Figure 11

Use the cut-out template (e) to mark the aperture on the drywall panel. The six protrusions correspond to the outer dimensions of the louvre fascia and are provided to indicate necessary clearance. Do not mark round these protrusions, but rather along the dotted lines that cross them (Figure 12).

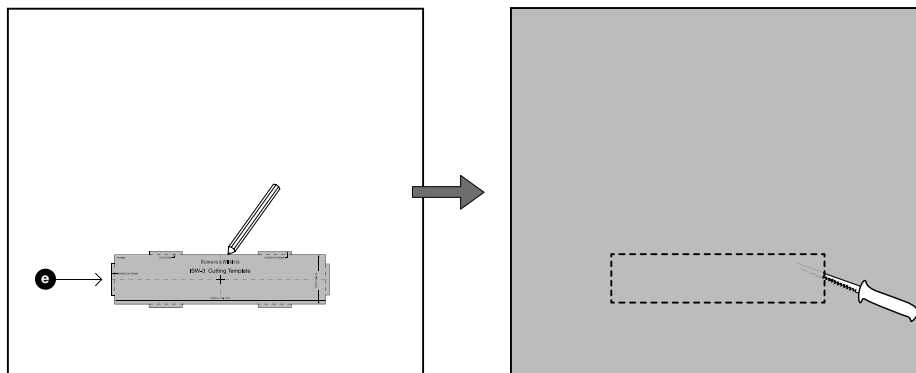


Figure 12

At this point, you may apply flexible mastic to the face of the subwoofer cabinet to prevent rattles against the ceiling panel.

Fit the drywall panels to the ceiling joists (Figure 13) and apply the final skim coat.

Paint the ceiling at this stage and, if desired, paint the louvre fascia moulding (b) to match. The part will take all normal wall paints.

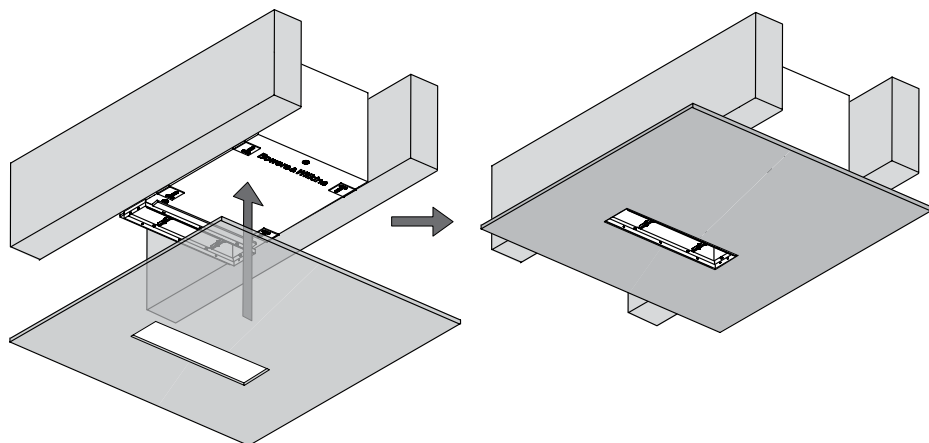


Figure 13

Attach the louvre (c) to the front of the opening and secure it to the louvre frame using the two M3 machine screws (i) through the two bars. Do not over-tighten. There should be slight bending tension in the two louvre bars, but the surround should not be distorted or the fascia will not fit correctly.

Clip the fascia (b) to the louvre (c) (Figure 14).

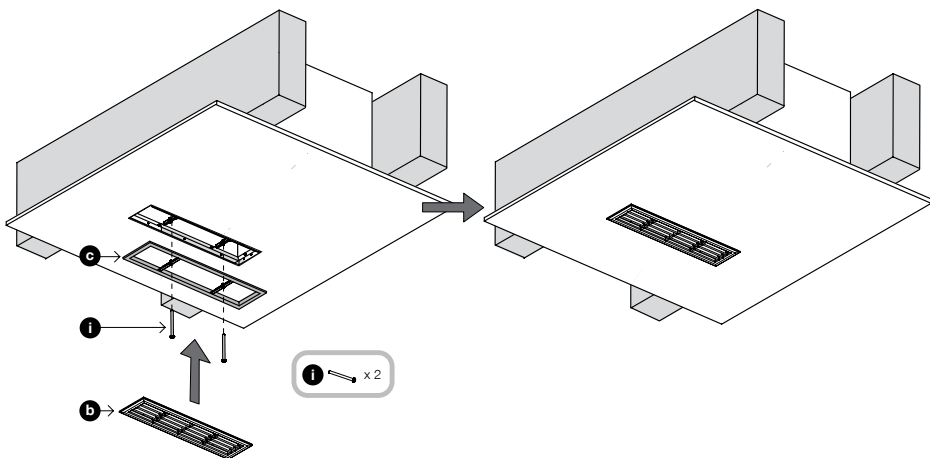


Figure 14

4 Installation in-wall

The subwoofer is too deep to fit into a standard nominal 100mm (4in) thick wall, but may be fitted into custom furniture or closet that accommodates its depth and that has studs with standard 40cm (16in) or greater spacing.

In most situations, the visible louvre will be required to be low on the wall, just above the skirting board. In that case, the cabinet will be oriented with the cowl at the bottom.

On the front face of the studs each side of the subwoofer, draw a horizontal line marking where the centre line of the louvre fascia should be (Figure 15).

Run appropriate gauge speaker cable to the installation point. Secure it to the studs so it cannot rattle, with the final tie point close to the marked louvre centre line. Leave approximately 30cm – 50cm (12in - 20in) free at the end (Figure 16).

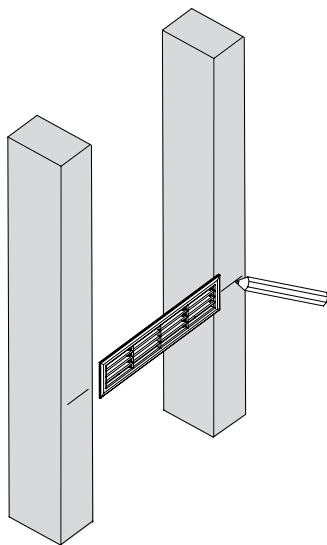


Figure 15

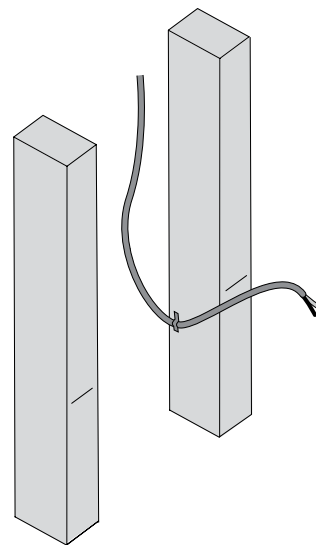


Figure 16

Screw the four L-brackets (g) to the sides of the subwoofer cabinet as shown using two No.8 x 12mm (0.5in) screws (h) per bracket. (Figure 17)

The vertical position of the brackets is not critical, but make sure they are flush with the front of the cabinet.

It is not essential, but it is easier to fit the subwoofer if you support it temporarily underneath to bring the louvre to the correct height.

Slide the subwoofer into the desired mounting position (Figure 18).

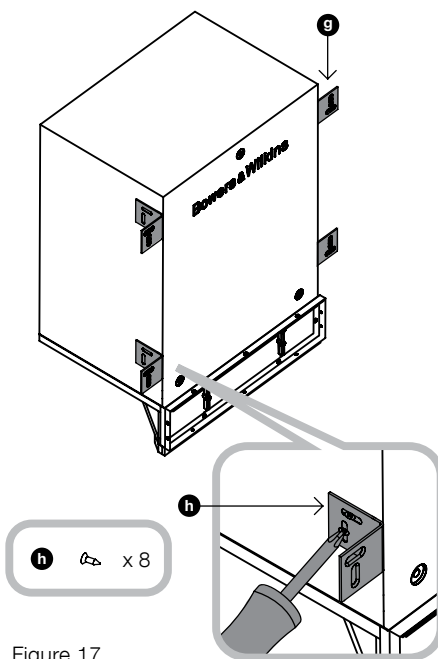


Figure 17

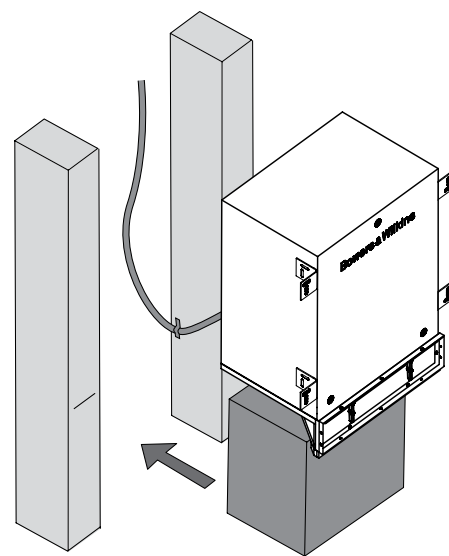


Figure 18

Mark the outline of the brackets on the front of the studs. (Figure 19)

Then remove the subwoofer and rebate the studs between the mark lines as shown to a depth of 2mm (0.08 in) so that the brackets do not bulge the drywall panel when fitted (Figure 20).

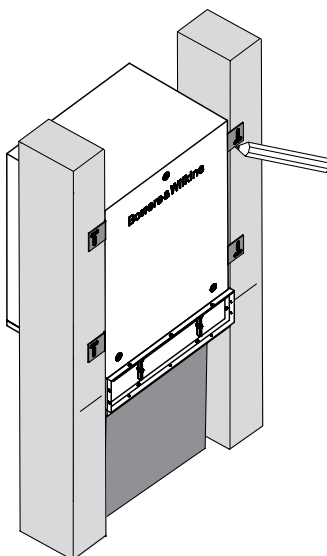


Figure 19

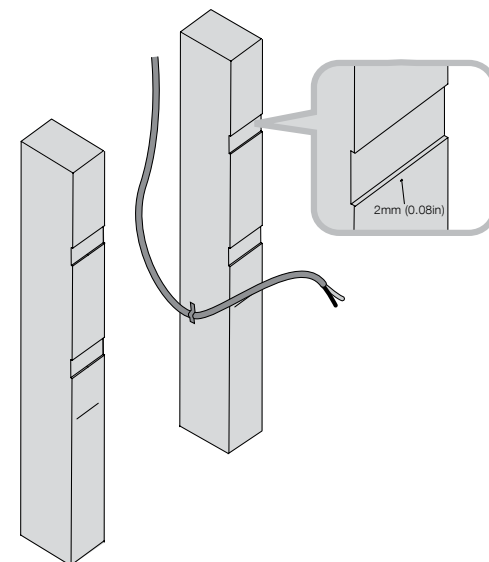


Figure 20

Screw the support bar (j) to the top of the cowl as shown using the three No.6 x 25mm (1in) screws (m) into the pre-drilled pilot holes (Figure 21).

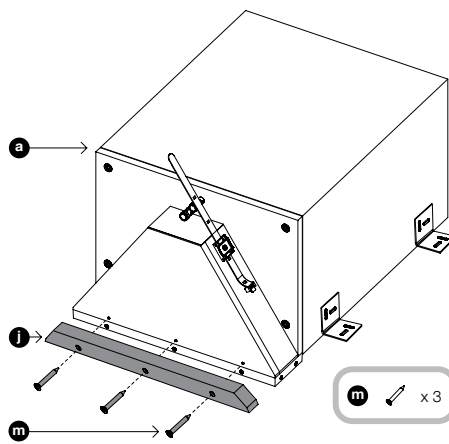


Figure 21

Remove the backing paper and apply the two self-adhesive gasket strips (f), one to the support bar and one to the cabinet at the other side of the louvre frame. These will bear on the drywall panel to avoid rattles (Figure 22).

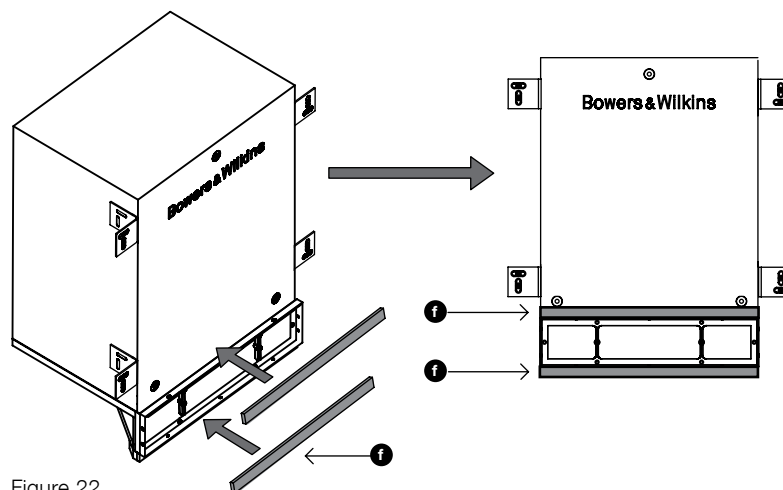


Figure 22

Bring the subwoofer close to its intended position. Strip the ends of the cable and connect it to the spring terminals, observing the correct polarity. Then secure the cable to the cowl using the cable tie to prevent rattles (Figure 23).

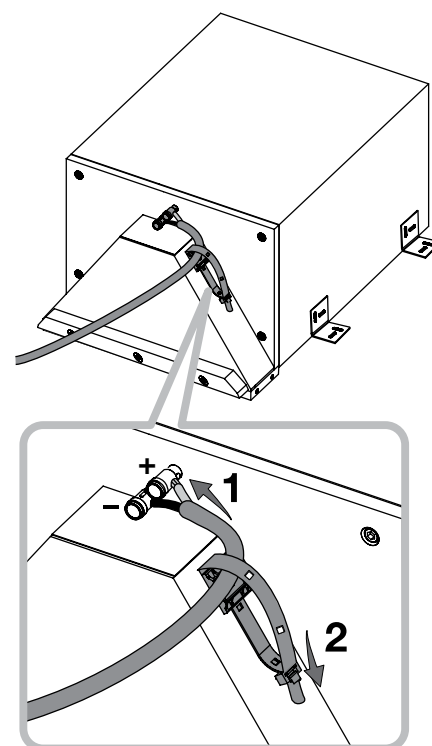


Figure 23

Using the support block if required, offer the subwoofer into position, with the support brackets sitting in the rebates in the studs. Screw the brackets to the studs (screws not supplied) (Figure 24).

When secure, you may remove the temporary support block.

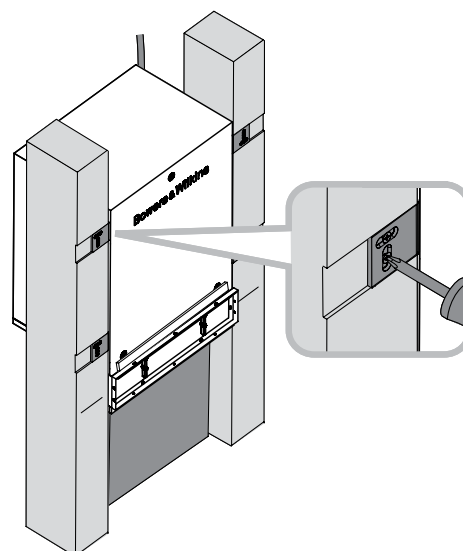


Figure 24

Use the cut-out template (e) to mark the aperture on the drywall panel. The six protrusions correspond to the outer dimensions of the louvre fascia and are provided to indicate necessary clearance. Do not mark round these protrusions, but rather along the dotted lines that cross them (Figure 25).

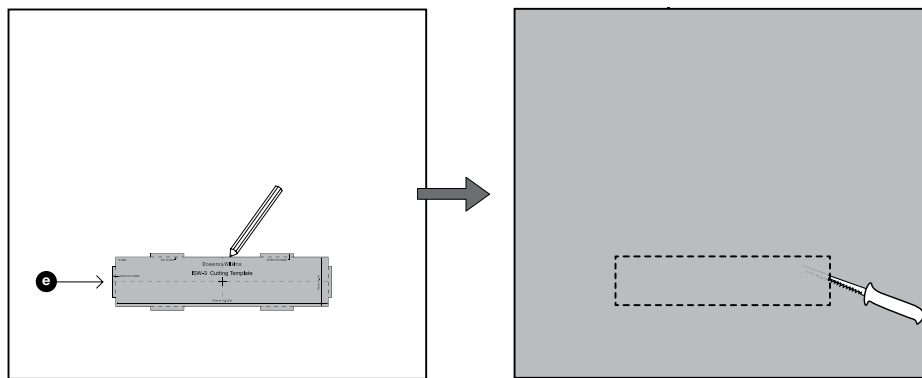


Figure 25

At this point, you may apply flexible mastic to the face of the subwoofer cabinet to prevent rattles against the drywall panel.

Fit the drywall panels to the studs (Figure 26) and apply the final skim coat.

Paint the wall at this stage and, if desired, paint the louvre fascia moulding (b) to match. The part will take all normal wall paints.

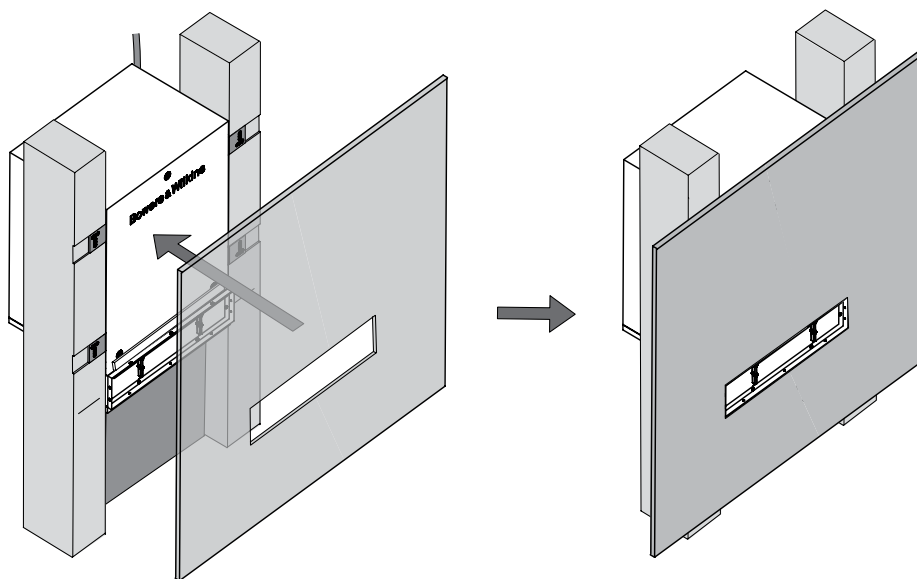


Figure 26

Attach the louvre (c) to the front of the opening and secure it to the louvre frame using the two M3 machine screws (i) through the two bars. Do not over-tighten. There should be slight bending tension in the two louvre bars, but the surround should not be distorted or the fascia will not fit correctly.

Clip the fascia (b) to the louvre (c) (Figure 27).

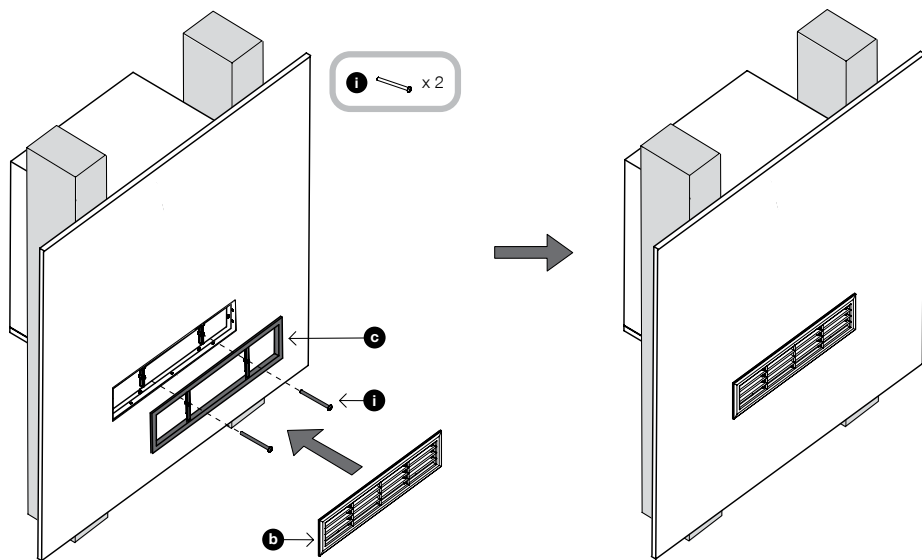


Figure 27

5 Installation under the floor

The speaker will fit between joists with standard 40cm (16in) or greater spacing, such that the visible louvre straddles the gap between them. A clearance of 25cm (10in) or greater behind the top of the joists is required.

The product is not recommended if the floor is to be covered by a thick carpet. Very short pile carpet, such as carpet tiles, may be accommodated with care.

Mark the centre line of the desired louvre position on the top face of the joists at each side (Figure 28).

Run appropriate gauge speaker cable to the installation point. Secure it to the joists so it cannot rattle, with the final tie point close to the marked louvre centre line near the bottom of the joist. Leave approximately 30cm – 50cm (12in - 20in) free at the end (Figure 29).

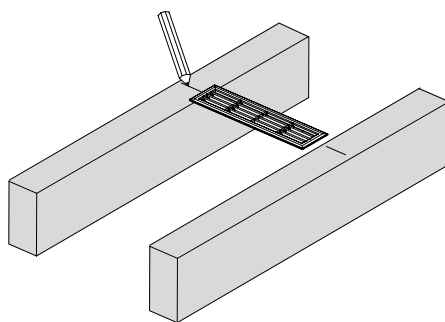


Figure 28

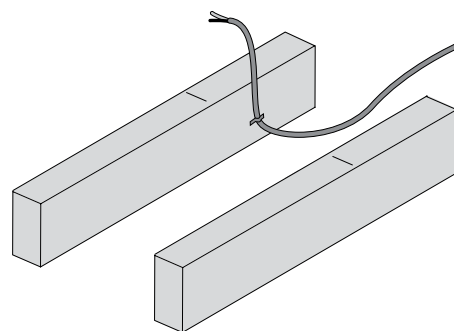


Figure 29

Attach the four support brackets to the sides of the cabinet as shown, using two No.8 x 12mm screws (h) per bracket. The lateral position of the brackets is not critical, but ensure they are set flush with the top surface of the cabinet when the cowl opening faces upwards.

Lay the speaker between the joists, supported by the brackets overlapping the joists (Figure 31).

If the joist spacing is too great to allow screwing through the brackets into the joists, a custom support method will need to be applied by the installer.

Align the louvre frame with the marks on the beams, making sure it is square to the wall and mark the outline of the brackets on the joists.

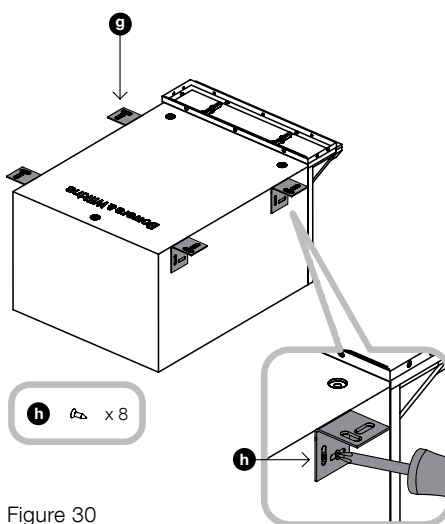


Figure 30

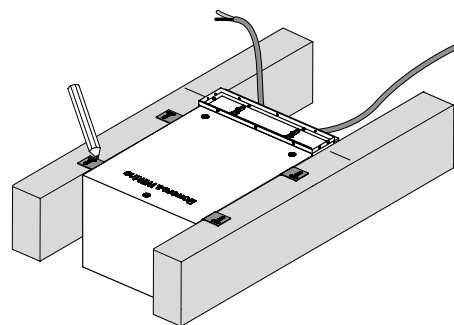


Figure 31

Remove the subwoofer and rebate the joists to a depth of 2mm (0.08 in) to accommodate the thickness of the brackets (Figure 32).

Screw the support bar (j) to the top of the cowl as shown using the three No.6 x 25mm (1 in) screws (m) into the pre-drilled pilot holes (Figure 33).

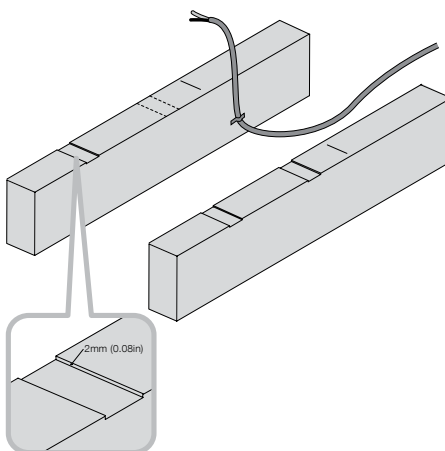


Figure 32

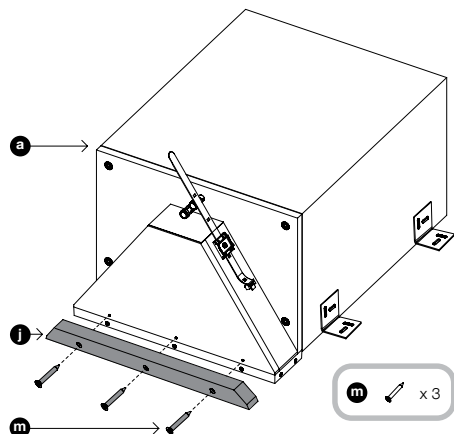


Figure 33

Remove the backing paper and apply the two self-adhesive gasket strips (f), one to the support bar and one to the cabinet at the other side of the louvre frame. These will bear on the floor boarding to avoid rattles (Figure 34).

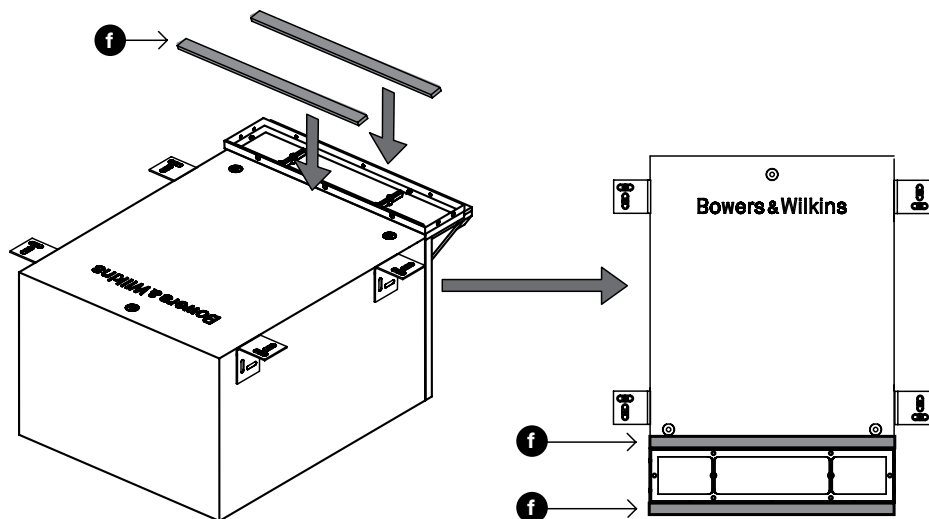


Figure 34

Bring the subwoofer close to its intended position. Strip the ends of the cable and connect it to the spring terminals, observing the correct polarity. Then secure the cable to the cowl using the cable tie to prevent rattles (Figure 35).

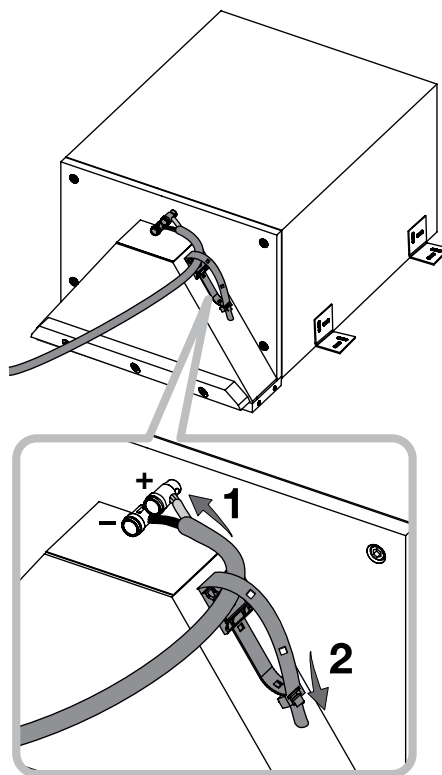


Figure 35

Place the subwoofer in position, with the brackets resting in the rebates, and secure it to the joists by screwing through the support brackets (screws not supplied) (Figure 36).

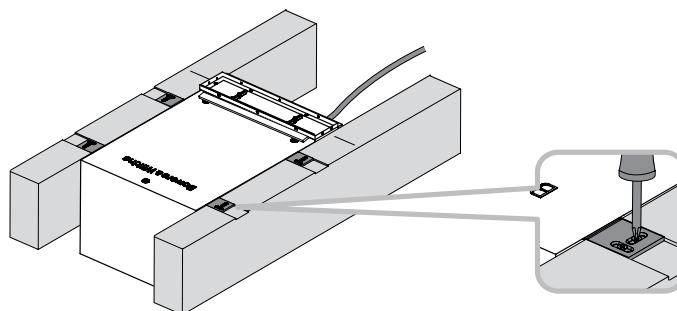


Figure 36

If using sheet flooring, use the cut-out template (e) to mark the aperture on the floor panel. The six protrusions correspond to the outer dimensions of the louvre fascia and are provided to indicate necessary clearance. Do not mark round these protrusions, but rather along the dotted lines that cross them (Figure 37).

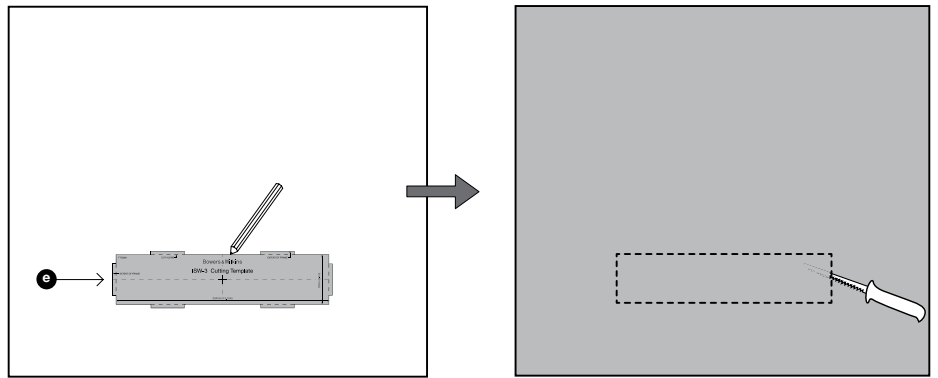


Figure 37

At this point, you may apply flexible mastic to the face of the subwoofer cabinet to prevent rattles against the underside of the floor surface.

For sheet flooring boards, fit the board with the louvre cut-out in place.

For strip planking floors, fit the planks around the protruding louvre frame

Where appropriate (see the comment at the start of this section), lay the carpet and cut a hole through to match the hole on the floorboards.

If desired, paint the louvre fascia moulding.

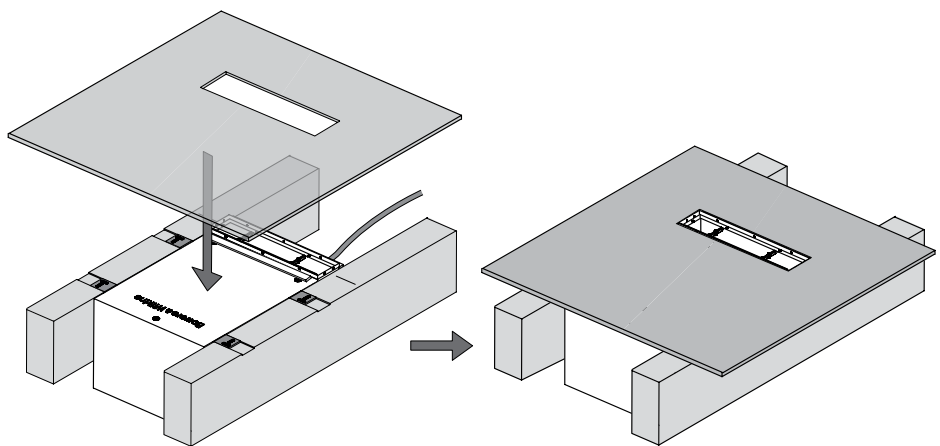


Figure 38

Attach the louvre (c) to the front of the opening and secure it to the louvre frame using the two M3 machine screws (i) through the two bars. Do not over-tighten. There should be slight bending tension in the two louvre bars, but the surround should not be distorted or the fascia will not fit correctly.

Clip the fascia (b) to the louvre (c) (Figure 39).

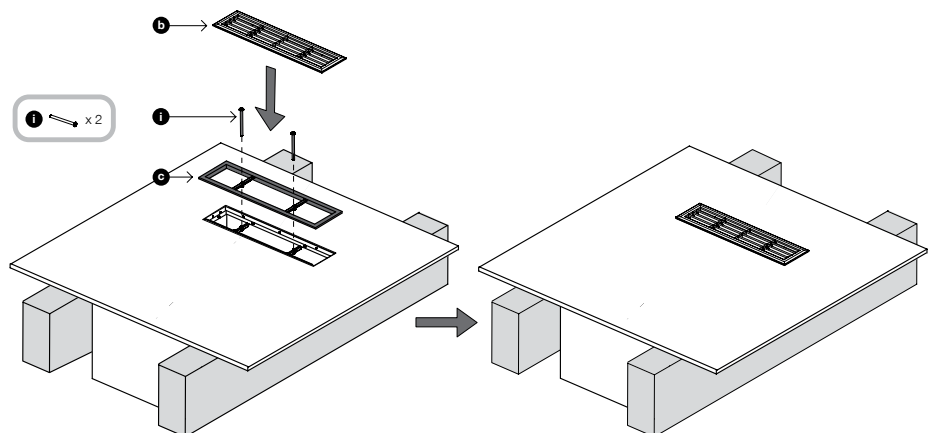


Figure 39

6 Installation in a kitchen unit

The subwoofer will rest on the bottom shelf of the unit and vent through the toe-kick panel below the door.

Remove the backing paper and fix one of the gasket strips (f) to the cowl extension, along the edge of its louvre frame.

Attach the cowl extension (d) to the louvre frame on the main cabinet, using the 10 No.4 x 10mm screws (l) into the pre-drilled pilot holes (Figure 40).

There is a pre-fitted gasket on the louvre frame moulding attached to the cowl. This must be compressed when fitting the extension and the pilot holes will not line up unless the gasket is properly compressed.

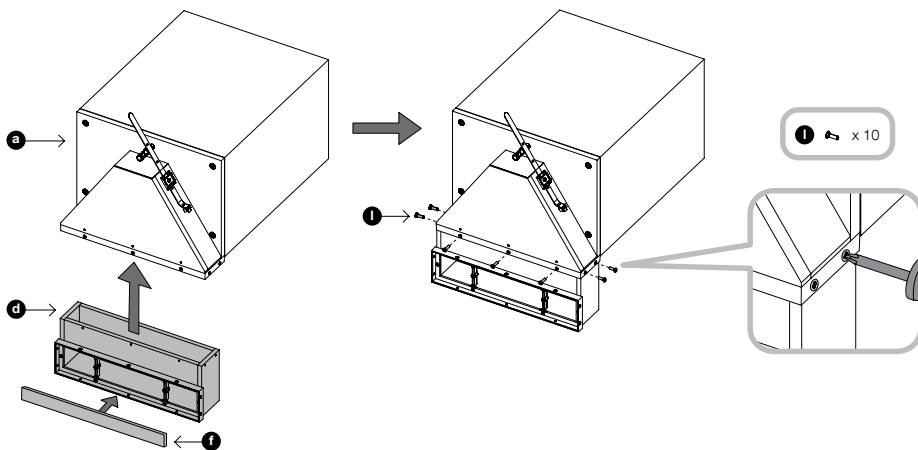


Figure 40

Ensure the locknuts are fully screwed down on the threaded stems of the rubber feet (k) and screw all three feet fully into the threaded inserts in the subwoofer cabinet (Figure 41).

! Make a mark on the toe-kick panel 30mm (1.2in) down from the surface of the bottom shelf. The top of the cut-out in the panel must not come below this line (Figure 42).

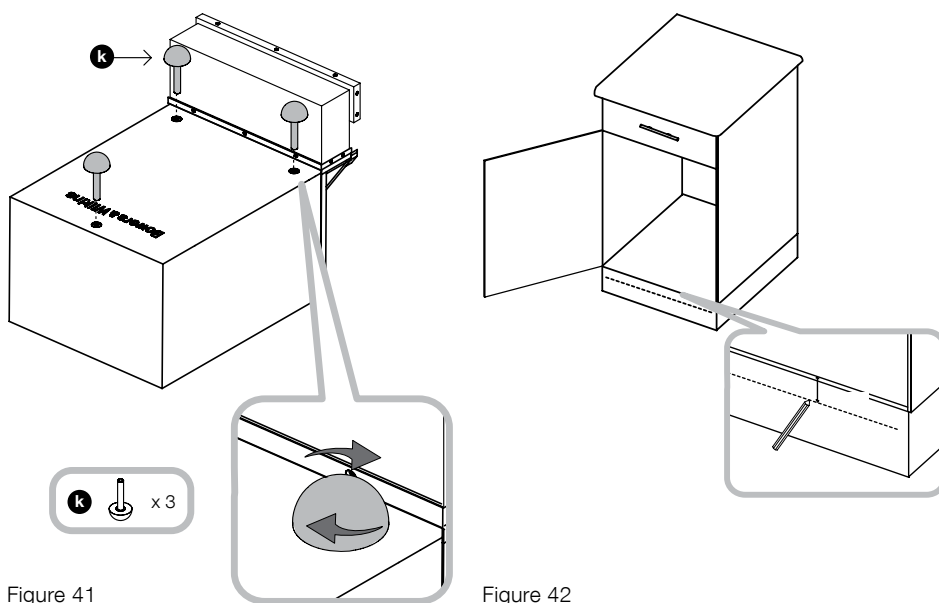


Figure 41

Figure 42

! Using the supplied template, mark the cut-out on the toe-kick panel as desired, making sure the top of the template is at or above the mark and that it is squarely aligned.

Cut the hole in the toe-kick panel and another in the bottom shelf of the unit to clear the cowl extension. The front of the hole in the shelf should be flush with the back of the toe-kick panel (Figure 43).

Run appropriate gauge speaker cable to the installation point.

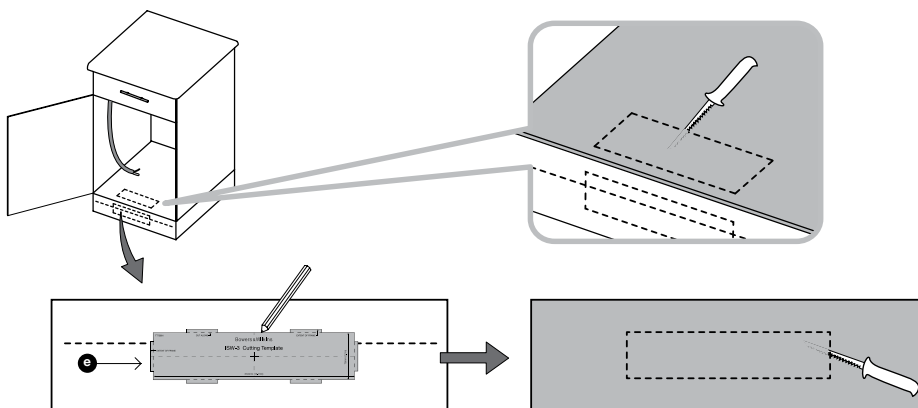


Figure 43

Place the subwoofer on the bottom shelf. Unscrew the feet as required to align the cowl extension vent with the cut-out in the toekick panel. Keeping the feet still, screw the locknuts up to the subwoofer cabinet to maintain position (Figure 44).

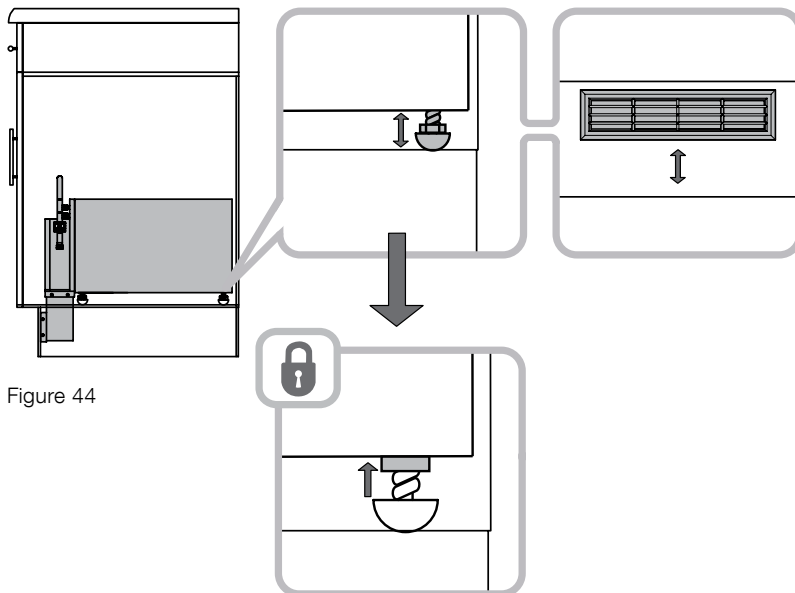


Figure 44

Strip the ends of the cable and connect it to the spring terminals, observing the correct polarity. Then secure the cable to the cowl using the cable tie to prevent rattles (Figure 45).

If desired, paint the louvre fascia moulding.

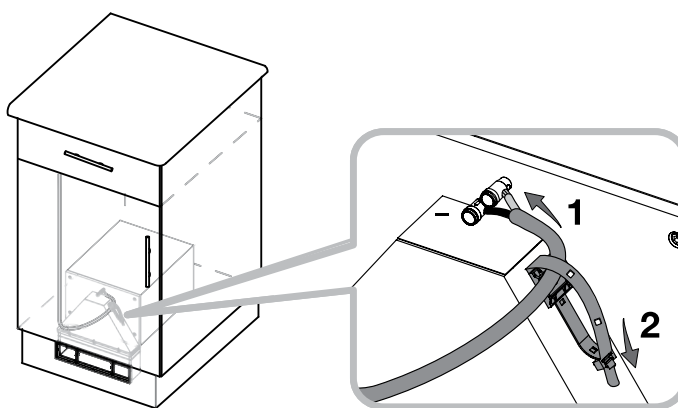


Figure 45

Attach the louvre to the front of the opening and secure it to the louvre frame using the two M3 machine screws (item 11) through the two bars. Do not over-tighten. There should be slight bending tension in the two louvre bars, but the surround should not be distorted or the fascia will not fit correctly.

Clip the fascia to the louvre (Figure 46).

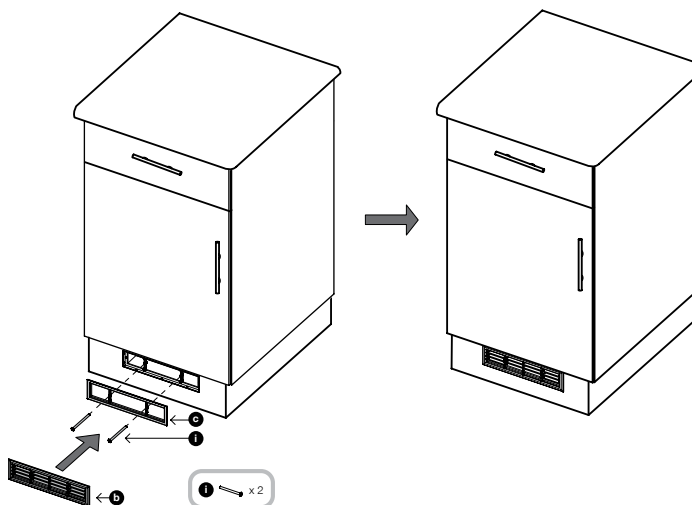


Figure 46

7 Running in

The performance of the speaker will change subtly during the initial listening period. If the speaker has been stored in a cold environment, the damping compounds and suspension materials of the drive units will take some time to recover their correct mechanical properties. The drive unit suspensions will also loosen up during the first hours of use. The time taken for the speaker to achieve its intended performance will vary depending on previous storage conditions and how it is used. As a guide, allow up to a week for the temperature effects to stabilise and 15 hours of average use for the mechanical parts to attain their intended design characteristics.

However, longer run-in periods (as long as a month) have been reported and there is evidence to suggest that this has little to do with the speaker changing and more to do with the listener getting used to the new sound.

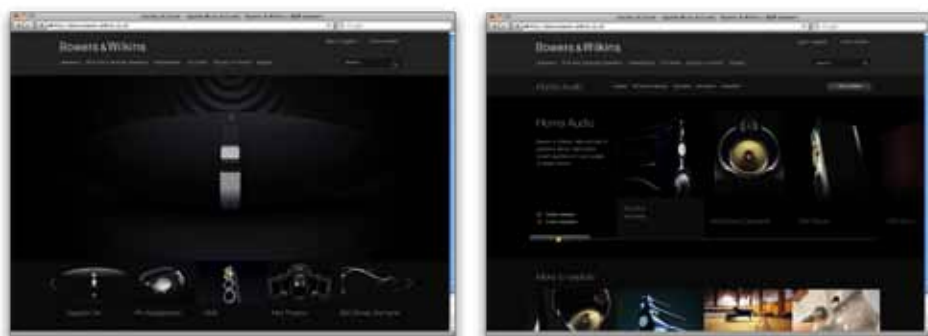
8 Aftercare

The subwoofer should require no maintenance, other than to periodically remove and clean the louvre fascia.

If the subwoofer is mounted under the floor, periodically remove the louvre fascia and vacuum the cowl cavity to remove any debris that may have fallen through (Figure 35).

Bienvenue dans le monde Bowers et Wilkins et au ISW-3

Nous vous remercions d'avoir choisi Bowers & Wilkins. Lorsque John Bowers a créé sa société, il savait déjà qu'un design imaginatif, une conception innovante et une technologie avancée seraient les clés du plaisir de l'écoute de la musique à domicile. C'est cette philosophie qui, aujourd'hui, continue de nous inspirer dans la conception de chaque nouvel appareil.



1 Contenu

Vérifier que vous disposez bien des composants suivants tels que représentés sur le schéma 1 :

- a. Caisson de graves
- b. Grille de façade (blanche)
- c. Auvent (noir)
- d. Élément d'extension
- e. Calibre pour la découpe
- f. Bandes de garniture
- g. Supports d'angle
- h. Vis No.8 X 12mm (0.5 pouce)
- i. Vis à têtes bouton M3 X 35mm (1.38 pouce)
- j. Barre de soutien
- k. Pieds et contre-écrous caoutchouc
- l. Vis csk No.4 X 10mm (0.38 pouce)
- m. Vis csk No.6 X 25mm (1 pouce)

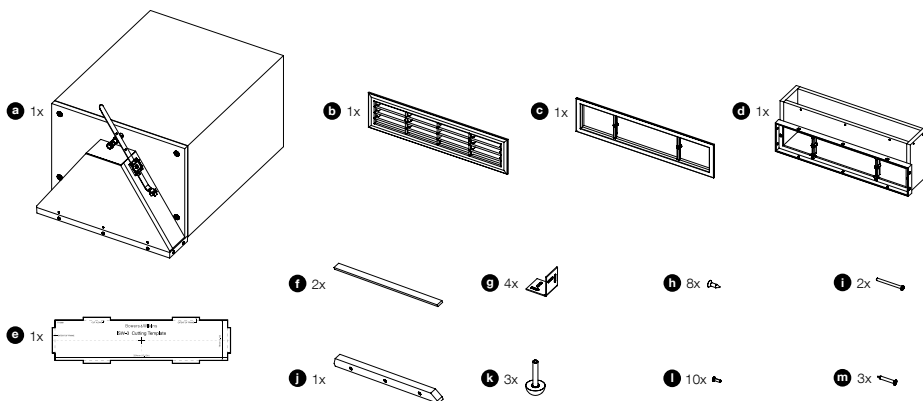


Schéma 1

En outre, vous trouverez également dans le colis un Guide d'Installation Rapide ainsi qu'un formulaire de garantie. Le présent manuel vous offre plus de détails que le Guide d'Installation Rapide.

Consulter votre revendeur si l'un des éléments est manquant ou s'il vous semble endommagé.

2 Applications

Il existe quatre types d'applications possibles, chacune d'elle étant décrite dans une section séparée de ce manuel :

Intégration dans un plafond (« in-ceiling ») – en construction neuve uniquement (voir schéma 2)
Rendez-vous à la section 3.

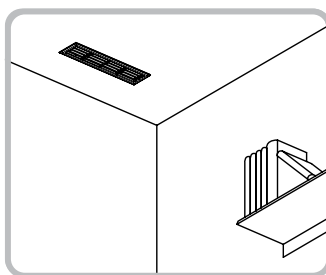


Schéma 2

Intégration dans un mur (« in-wall ») – en construction neuve uniquement (voir schéma 3)
Rendez vous à la section 4.

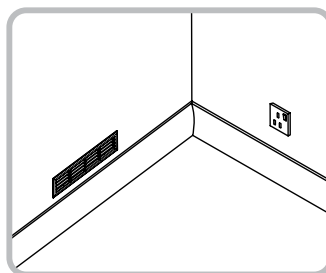


Schéma 3

Dans un plancher (schéma 4)
Rendez vous à la section 5.

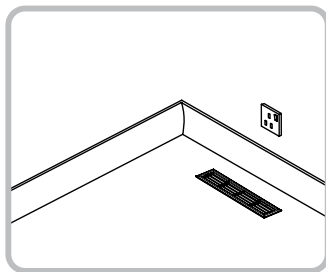


Schéma 4

Dans un élément ou placard de cuisine (schéma 5)
Rendez vous à la section 6.

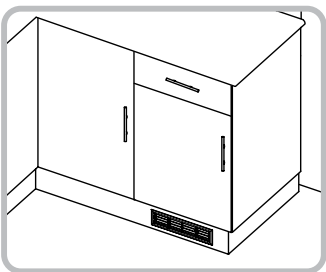


Schéma 5

3 Intégration dans un plafond

L'enceinte de sous-grave viendra s'intégrer dans l'espace standard compris entre deux poutres ou poutrelles de plafond, soit 40cm (16 pouces) au minimum. L'auvent, à l'avant, qui sera seul visible vient couvrir l'espace entre les deux poutrelles. Un dégagement de 25cm (10 pouces) ou plus derrière les poutres est nécessaire.

Marquez la position centrale de l'auvent à l'emplacement souhaité, de chaque côté, au niveau des deux poutrelles adjacentes. Faire encore deux autres marques sur les deux poutrelles à approximativement 75mm (3 pouces) et 380mm (15 pouces) du centre de l'auvent d'ouverture pour pouvoir positionner les supports du coffret (Schéma 6).

Visser les quatre supports en L (g) comme indiqué, à l'intérieur des parties verticales des poutrelles (vis non fournies), en vous assurant que les supports soient bien d'équerre et alignés avec la face inférieure des poutrelles.

Faites passer un câble d'enceinte acoustique approprié jusqu'à l'emplacement final d'installation. Fixez le câble aux poutrelles de façon à ce qu'il ne puisse pas bouger ou vibrer, et positionnez le point de fixation final à proximité de l'axe central de l'auvent, juste au dessus de la poutrelle. Laissez approximativement 30cm à 50cm (soit 12 pouces / 20 pouces) de câble libre à l'extrémité (Schéma 7).

Fixez la barre de soutien (j) au capot en utilisant les trois vis No.6 X 25mm (m) et les trous pré-perçés (Schéma 8).

Retirer le papier de protection et appliquez les deux bandes de garnitures amortissantes auto-adhésives (f), une sur la barre de soutien, l'autre au niveau de coffret de l'autre côté de l'auvent de façade. Cela permettra d'éviter les vibrations au niveau des panneaux de cloisons sèches ou de plaques de plâtres adjacents (Schéma 9).

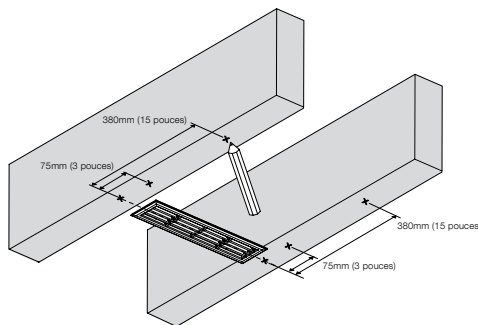


Schéma 6

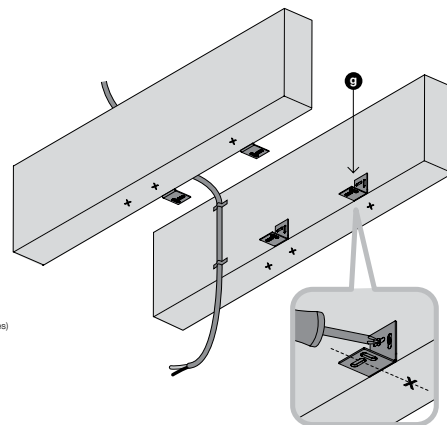


Schéma 7

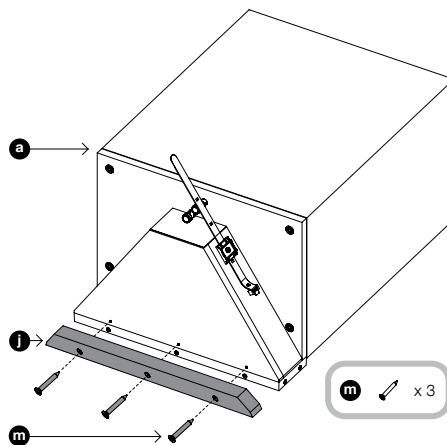


Schéma 8

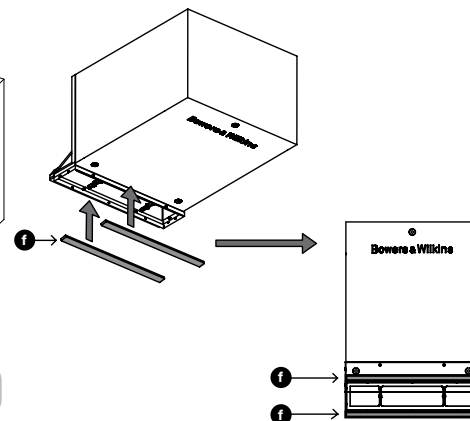


Schéma 9

Soulever l'enceinte de sous-graves de façon à ce qu'elle repose sur les quatre supports en L. Si l'espace entre les poutrelles est trop important, un système de support personnalisé et spécifique devra être mis en œuvre par l'installateur.

Alignez le milieu de l'auvent avec les marques réalisées sur les poutrelles et ajustez sa position perpendiculairement aux murs.

Fixez le coffret en place à l'aide des vis No.8 X 12mm en les insérant au travers des supports en L (Schéma 10).

Le cadre de l'auvent dépassera légèrement au-dessous des poutrelles.

Dégainez les deux extrémités du câble et connectez-les aux bornes à ressort qui sont sur le coffret, en observant une polarité correcte.

Pour empêcher les vibrations, attachez le câble en surplus à l'aide d'un collier serre-câble lui-même fixé au caisson de graves (Schéma 11).

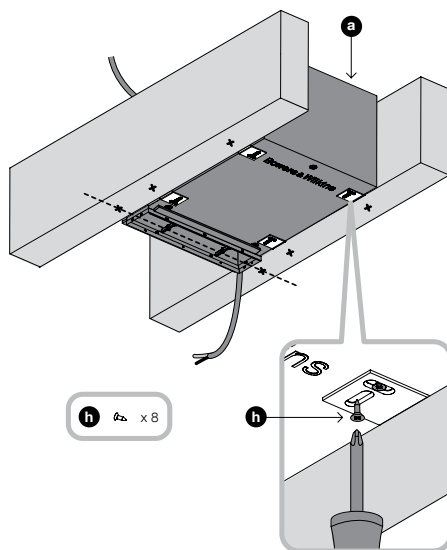


Schéma 10

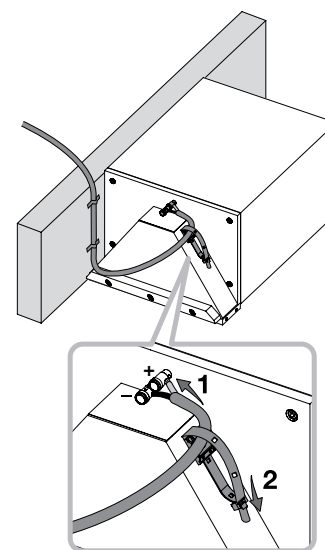


Schéma 11

Utilisez le calibre de découpe (e) pour marquer l'ouverture à pratiquer sur le panneau de plâtre ou de cloison sèche. Les parties qui sont en saillie correspondent aux dimensions externes de l'auvent pour vous indiquer les dégagements qui sont nécessaires. Ne pas faire les marques de découpe autour de ces parties, mais le long des lignes en pointillées qui les croisent (Schéma 12).

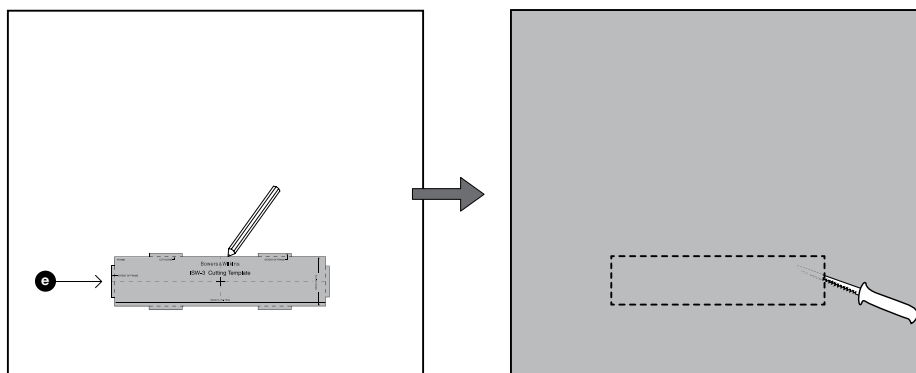


Schéma 12

A ce niveau, vous pourrez appliquer un mastic souple sur la face avant du coffret de caisson de graves pour empêcher les vibrations au niveau du panneau de cloison sèche fixé au plafond.

Fixez le panneau de plâtre aux poutres de plafond (Schéma 13) et appliquez l'enduit de finition.

A cette étape, vous pouvez peindre le plafond et, si vous le souhaitez, également la grille de façade (b) avec la même peinture. Cet élément peut être peint avec la plupart des peintures murales.

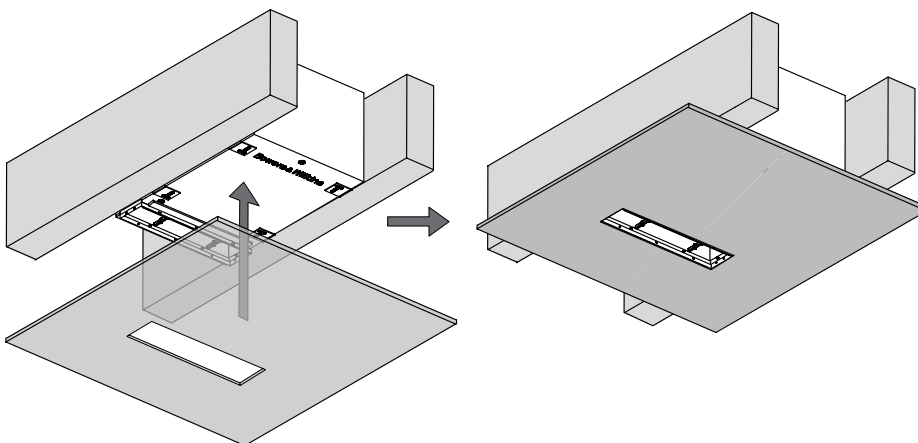


Schéma 13

Fixez l'auvent de façade (c) sur l'ouverture et sécurisez le montage à l'aide des deux vis M3 (i) que vous viendrez insérer dans les barres transversales. Ne pas trop serrer les deux vis. Il peut y avoir une certaine tension au niveau des barres transversales, mais celles-ci ne doivent pas être déformées, car dans ce cas la grille de façade ne pourra pas s'insérer correctement.

Enfin, ajustez la grille (b) sur l'auvent de façade (c) (Schéma 14).

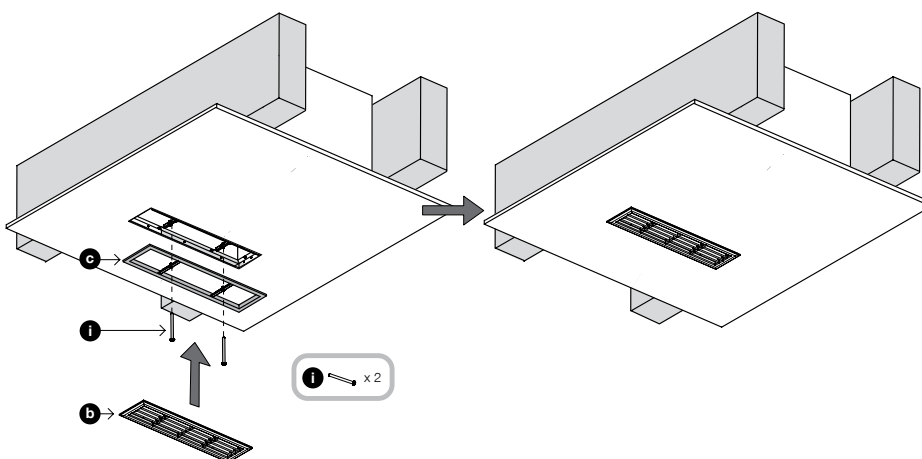


Schéma 14

4 Intégration dans un mur (in-wall)

Le caisson de graves est trop profond pour pouvoir être intégré tel quel dans un mur standard d'épaisseur 100mm (4 pouces), mais il peut toutefois être encastré dans un meuble ou dans un élément fabriqué sur mesure et qui soit adapté à sa profondeur, et disposant d'éléments internes verticaux à la norme d'espacement 40cm (16 pouces) ou supérieur.

Dans la plupart des configurations, l'avent sera positionné en bas du mur, et juste au dessus de la plinthe. Par conséquent, le coffret du caisson de graves sera orienté avec le capot vers le fond.

Sur la partie visible des éléments de la structure interne du mur, de chaque côté du caisson de graves, tracez un trait horizontal au centre de l'emplacement central où devra être positionné l'avent de l'enceinte (Schéma 15).

Amenez un câble pour enceinte acoustique jusqu'à l'emplacement où sera installé le caisson de graves. Fixez-le aux éléments internes de la structure du mur de façon à ce qu'il ne puisse pas vibrer. Laissez approximativement 30cm – 50cm (12 pouces – 20 pouces) de câble libre à son extrémité (Schéma 16).

Visser les quatre supports en L (g) de chaque côté du coffret du caisson de graves comme indiqué en utilisant deux vis No.8 X 12mm (0.5 pouce) (h) par support (Schéma 17)

La position verticale des supports en L importe peu, simplement assurez vous qu'ils affleurent bien à l'avant du coffret.

Bien que cela ne soit pas indispensable, la mise en place du caisson de graves sera plus facile si vous le posez temporairement sur un support (boite, carton...) de manière à pouvoir positionner l'avent à la hauteur correcte.

Faites glisser le caisson de graves jusqu'à sa position finale souhaitée. (Schéma 18).

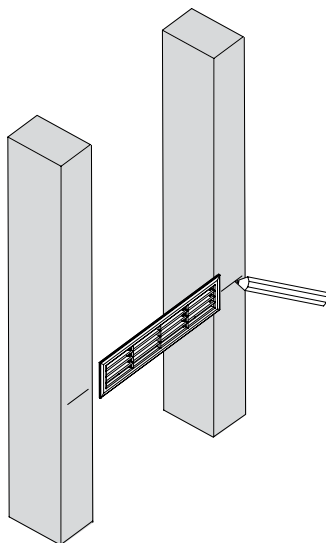


Schéma 15

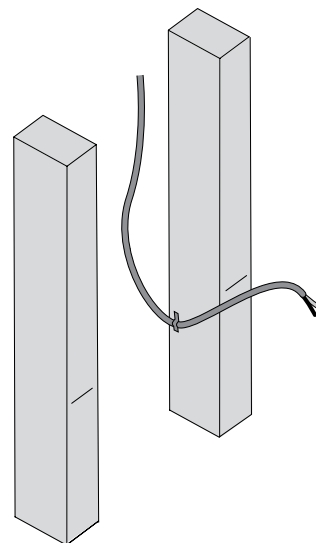


Schéma 16

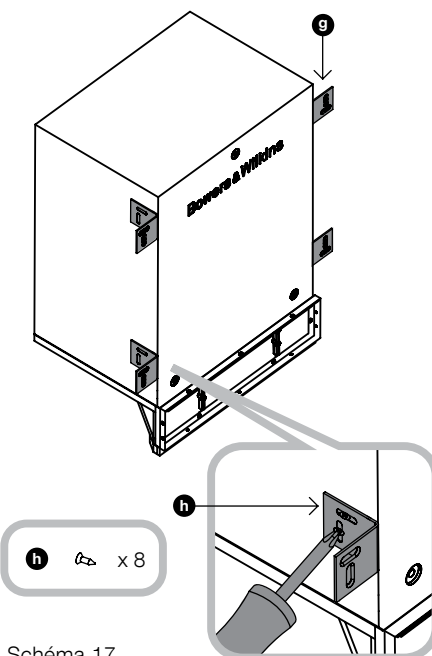


Schéma 17

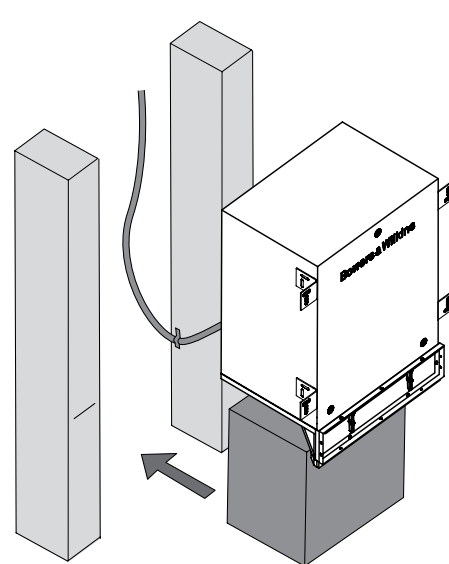


Schéma 18

Marquez l'emplacement des supports en L sur la face avant des éléments de structure. (Schéma 19)

Retirez ensuite le caisson de grave et entaillez légèrement les éléments de structure comme indiqué sur le schéma sur une profondeur de 2 mm (0.08 pouce), de façon à ce que les supports en L ne fassent pas d'épaisseur au niveau du panneau de cloison sèche (plaque de plâtre), une fois qu'ils seront mis en place (Schéma 20).

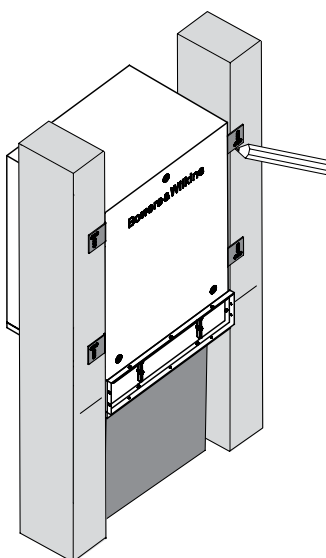


Schéma 19

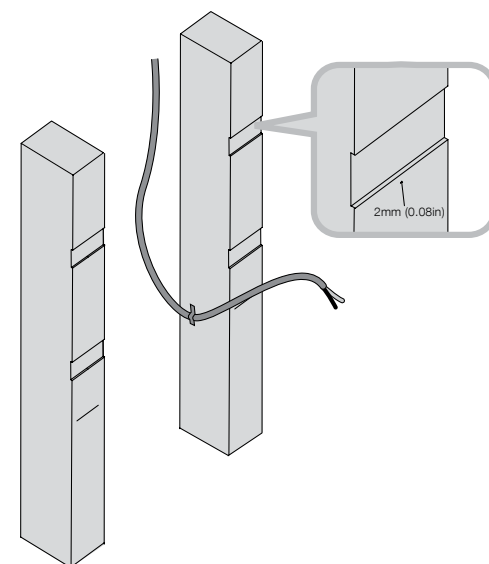


Schéma 20

Vissez la barre de soutien (j) sur le dessus du capot à l'aide des trois vis No.6 X 25mm (1 pouce) (m) en les insérant dans les trois trous pré-perçés (Schéma 21).

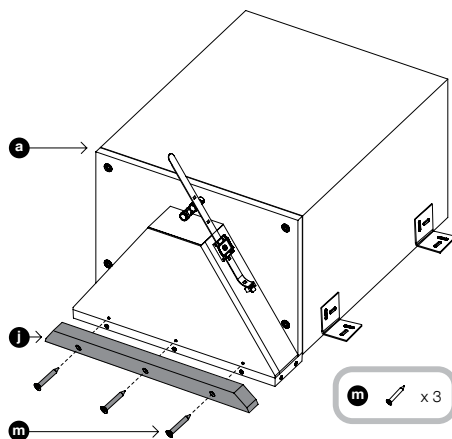


Schéma 21

Retirer le papier de protection et appliquez les deux bandes de garnitures amortissantes auto-adhésives (f), une sur la barre de soutien, l'autre au niveau de coffret, de l'autre côté de l'avant de façade. Cela permettra d'éviter les vibrations au niveau des panneaux de cloisons sèches (ou plaques de plâtres) adjacents (Schéma 22).

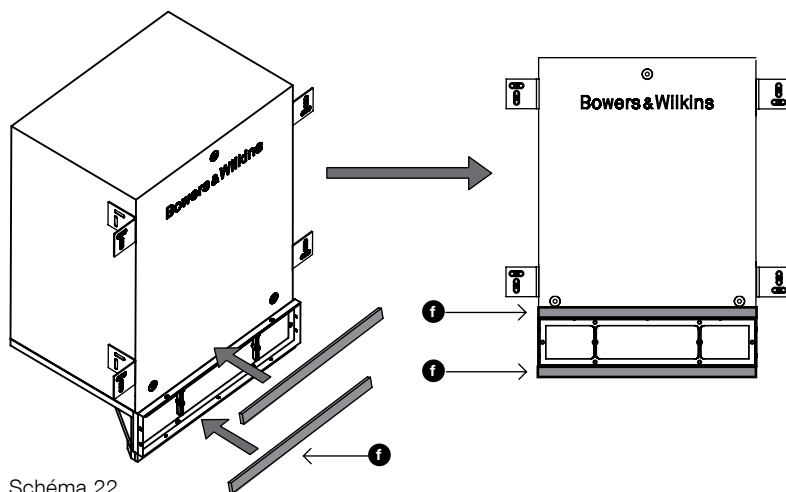


Schéma 22

Amenez le caisson de graves à proximité de son emplacement définitif. Dénudez les deux extrémités du câble et reliez-les aux bornes à ressort, en observant une polarité correcte. Puis fixez le câble au capot en utilisant un collier serre-câbles pour éviter les vibrations (Schéma 23).

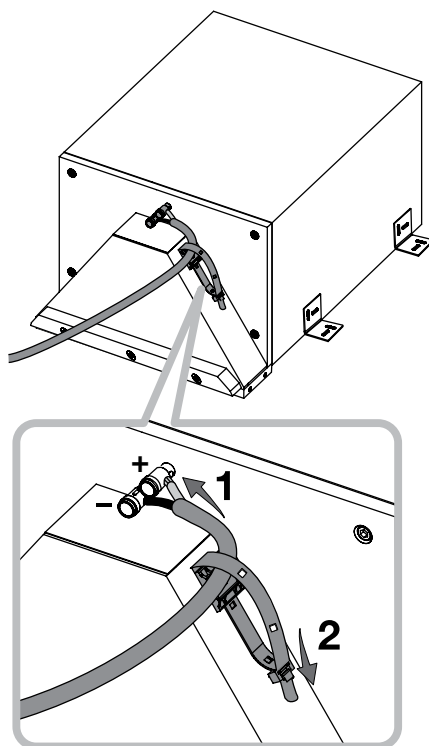


Schéma 23

Comme mentionné plus haut, utilisez si nécessaire un accessoire (boîte, carton) pour soutenir le caisson de graves pendant sa mise en place. Alignez les supports en L au niveau des parties préalablement creusées dans les éléments de structure interne puis vissez les supports en L aux éléments (Schéma 24).

Une fois que le caisson est sécurisé, vous pourrez enlever l'accessoire provisoire de soutien.

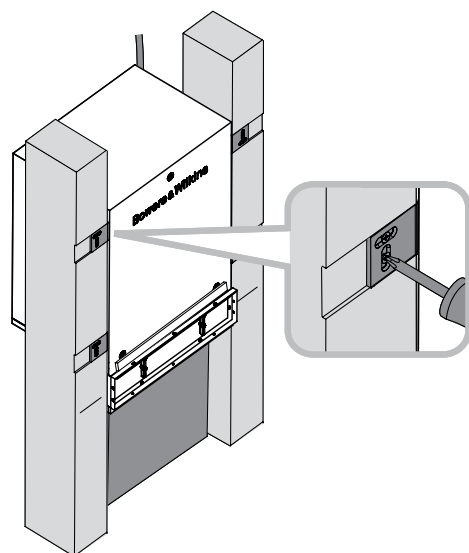


Schéma 24

Utilisez le calibre de découpe (e) pour marquer l'ouverture à pratiquer sur la plaque de plâtre ou de cloison sèche. Les parties qui sont en saillie correspondent aux dimensions externes de l'auvent pour vous indiquer les dégagements qui sont nécessaires. Ne pas faire les marques de découpe autour de ces parties, mais le long des lignes en pointillées qui les croisent (Schéma 25).

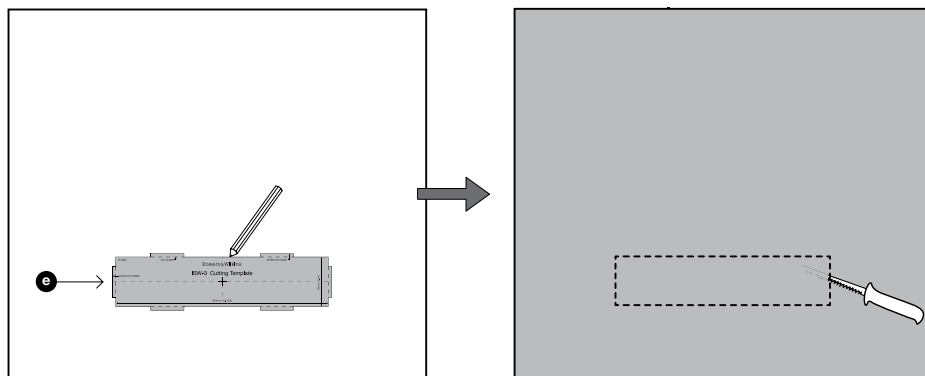


Schéma 25

A ce niveau, vous pourrez appliquer un mastic souple sur la face avant du coffret du caisson de graves pour empêcher les vibrations au niveau du panneau de cloison sèche.

Fixez le panneau de plâtre ou de cloison sèche aux éléments de structure interne du mur (Schéma 26) et appliquez l'enduit de finition.

A cette étape, vous pouvez peindre le mur et, si vous le souhaitez, également la grille de façade (b) avec la même peinture. Cet élément peut être peint avec la plupart des peintures murales.

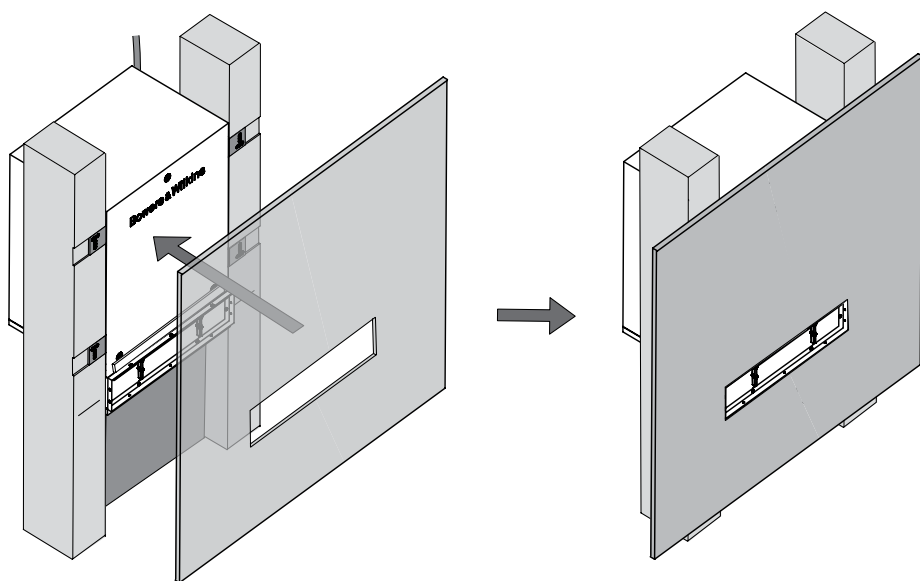


Schéma 26

Fixez l'auvent de façade (c) sur l'ouverture et sécurisez le montage à l'aide des deux vis M3 (i) que vous viendrez insérer dans les barres transversales. Ne pas trop serrer les deux vis. Il peut y avoir une certaine tension au niveau des barres transversales, mais celles-ci ne doivent pas être déformées, car dans ce cas la grille de façade ne pourra pas s'insérer correctement.

Enfin, ajustez la grille (b) sur l'auvent de façade (c) (Schéma 27).

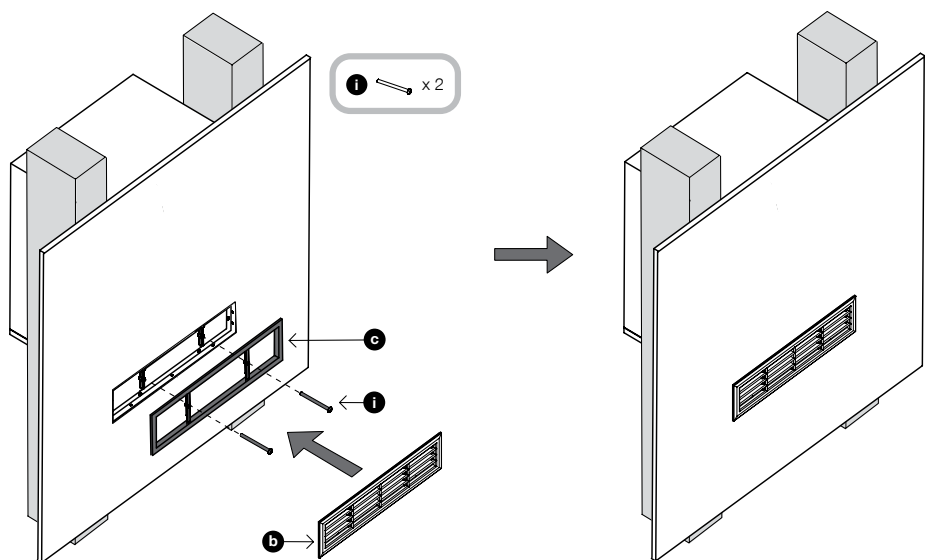


Schéma 27

5 Installation dans un plancher

L'enceinte de sous-grave viendra s'intégrer dans l'espace standard compris entre deux poutres ou solives de plancher, soit 40cm (16 pouces) au moins, l'avant à l'avant qui sera seul visible venant couvrir l'espace entre les deux poutres. Un dégagement de 25cm (10 pouces) ou plus derrière les poutres est nécessaire.

L'installation du produit n'est pas recommandée si le plancher doit être recouvert par un tapis épais. Toutefois, vous pouvez installer un tapis ou une moquette très rase comme de la moquette en dalle mais en l'adaptant avec soin.

Marquez la position centrale de l'avant à l'emplacement souhaité, de chaque côté, au niveau des poutres adjacentes (Schéma 28).

Amenez un câble d'enceinte acoustique approprié au niveau de l'emplacement d'installation. Attachez-le à l'une des poutres de façon à ce qu'il ne puisse pas vibrer, faites en sorte que l'extrémité libre du câble se situe à proximité de l'emplacement futur de l'avant frontal. Laissez approximativement 30 à 50 cm (12 à 20 pouces) de câble libre (Schéma 29).

Fixez les quatre supports en L sur le côté du coffret de l'enceinte de sous-grave tel que montré sur le schéma, en utilisant deux vis No. 8 x12 mm (h) par support. La position latérale des supports n'est pas critique, toutefois il est important que les supports affleurent bien au ras du coffret de l'enceinte avec le capot vers le haut.

Disposez ensuite l'enceinte entre les poutrelles, elle est ainsi soutenue par les supports en L posés sur les poutres (Schéma 31).

Si l'espacement entre les poutres est trop important, une procédure d'installation personnalisée devra être mise en œuvre par l'installateur.

Alignez le cadre de l'avant avec les marques qui ont été faites sur les poutres, vérifiez que la position du caisson de graves est parfaitement d'équerre par rapport au mur et marquez l'emplacement des supports sur les poutres du plancher.

Retirez alors le caisson de graves et creusez légèrement les poutres sur une profondeur de 2 mm (0.08 pouce) à l'emplacement des supports en L pour que ceux-ci puissent s'intégrer parfaitement dans les poutres (Schéma 32).

Vissez la barre de soutien (j) sur le dessus du capot comme indiqué sur le schéma en insérant les trois vis No.6 X 25mm (1 pouce) (m) dans les trous déjà pré-perçés (Schéma 33).

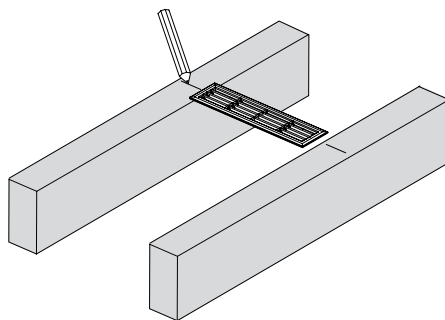


Schéma 28

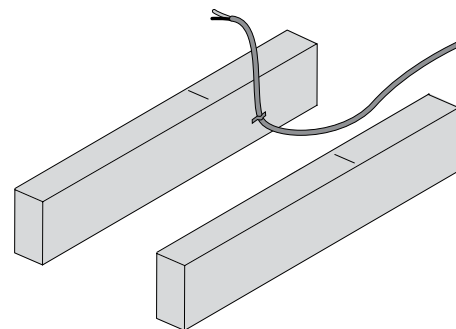


Schéma 29

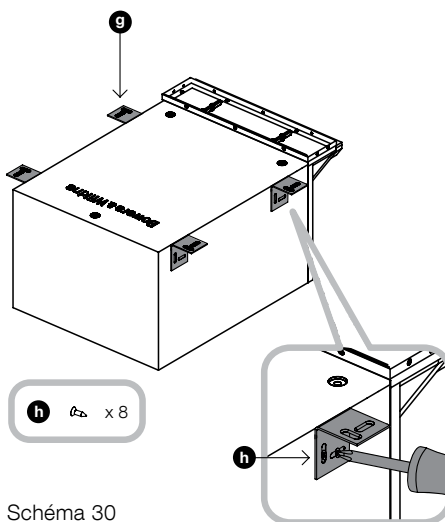


Schéma 30

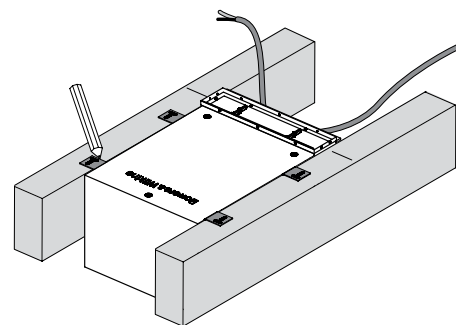


Schéma 31

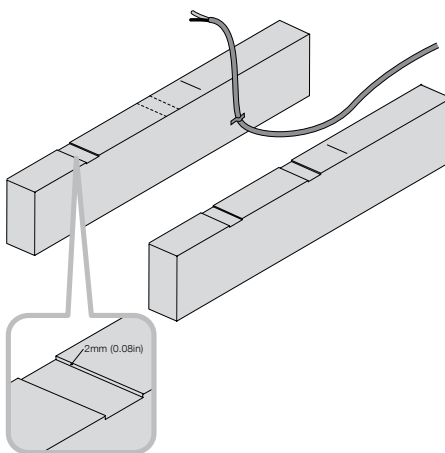


Schéma 32

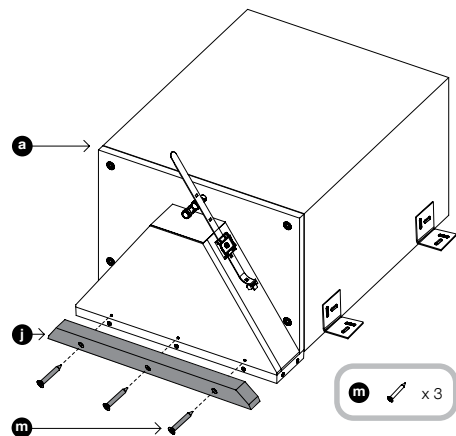


Schéma 33

Retirer le papier de protection et appliquez les deux bandes de garnitures auto-adhésives (f), une sur la barre de soutien et l'autre sur le coffret de l'encontreinte de l'autre coté de l'auvent. Elles viendront ainsi s'intercaler entre l'auvent et le plancher de manière à éviter les vibrations (Schéma 34).

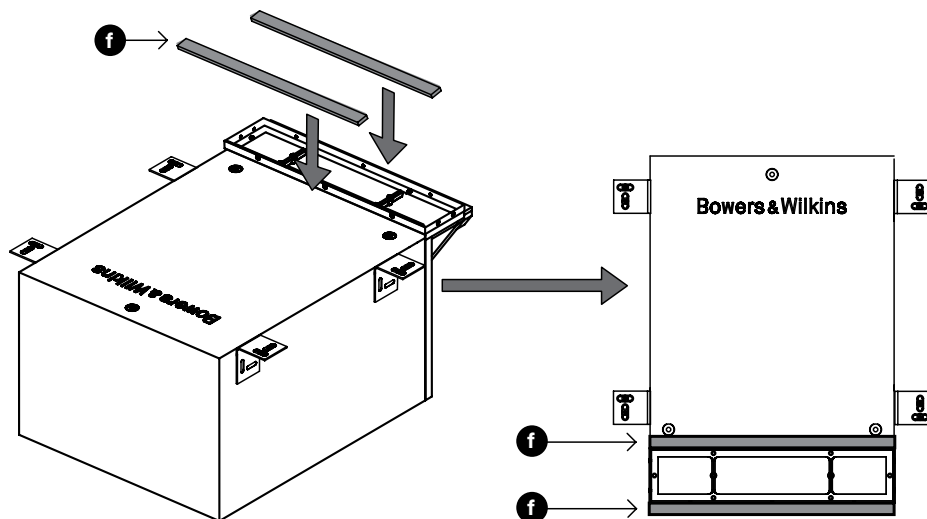


Schéma 34

Amenez le caisson de graves près de sa position prévue. Dénudez les extrémités du câble et reliez-les aux bornes à ressort en respectant une polarité correcte. Puis fixez le câble au capot à l'aide d'un serre-câble pour éviter les vibrations (Schéma 35).

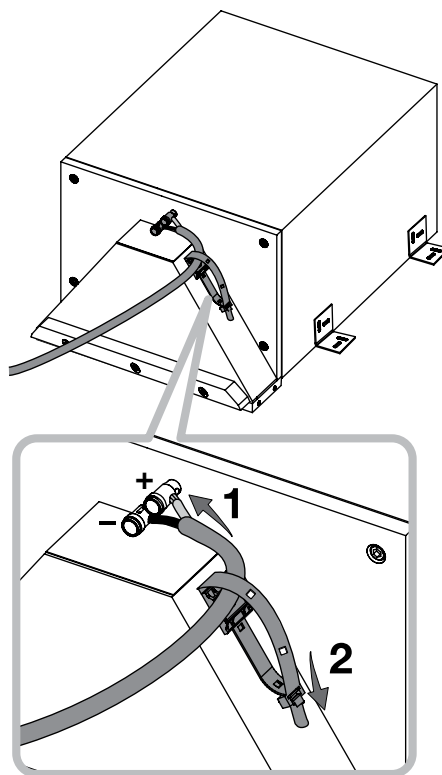


Schéma 35

Mettez le caisson de graves dans sa position finale puis sécurisez son installation en vissant les supports en L sur les poutres de solivage (vis non fournies) (Schéma 36).

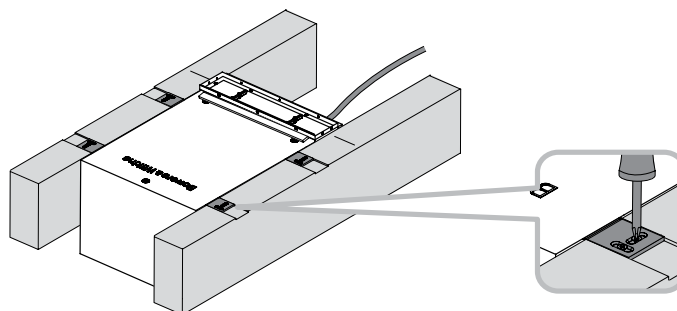


Schéma 36

Si vous mettez en œuvre un plancher flottant ou en dalles, utilisez le calibre de découpe (e) pour marquer l'ouverture à pratiquer sur l'élément de plancher. Les parties qui sont en saillie correspondent aux dimensions externes de l'auvent pour vous indiquer les dégagements qui sont nécessaires. Ne pas faire les marques de découpe autour de ces parties, mais le long des lignes en pointillées qui les croisent (Schéma 37).

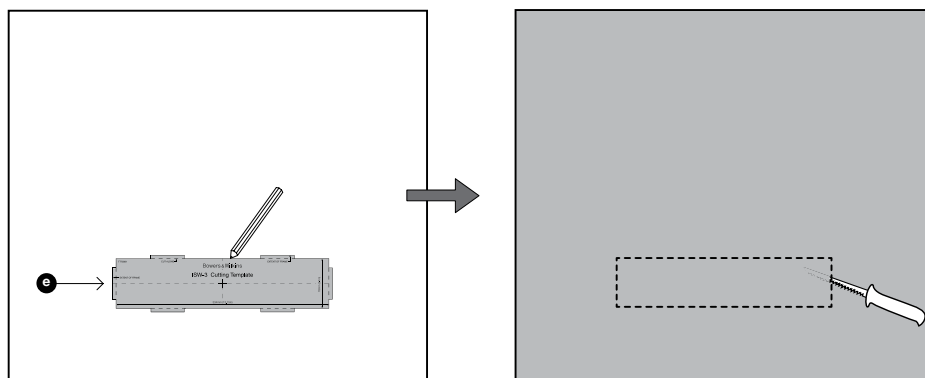


Schéma 37

A ce niveau, vous pourrez appliquer un mastic souple sur la face avant du coffret du caisson de graves, pour empêcher les vibrations au niveau de la dalle de plancher.

S'il s'agit de plancher en dalles, vissez la dalle en place en faisant coïncider l'ouverture pratiquée avec l'auvent de façade du caisson de graves.

Si vous mettez en place des lames de plancher flottant, faites les découpes adéquates autour de l'auvent de façade.

Le cas échéant (voir le commentaire au début de ce paragraphe), étalez le tapis ou la moquette et découpez soigneusement une ouverture correspondante avec celle déjà réalisée au sein du plancher.

Si vous le souhaitez, vous pouvez peindre la grille de l'auvent de façade.

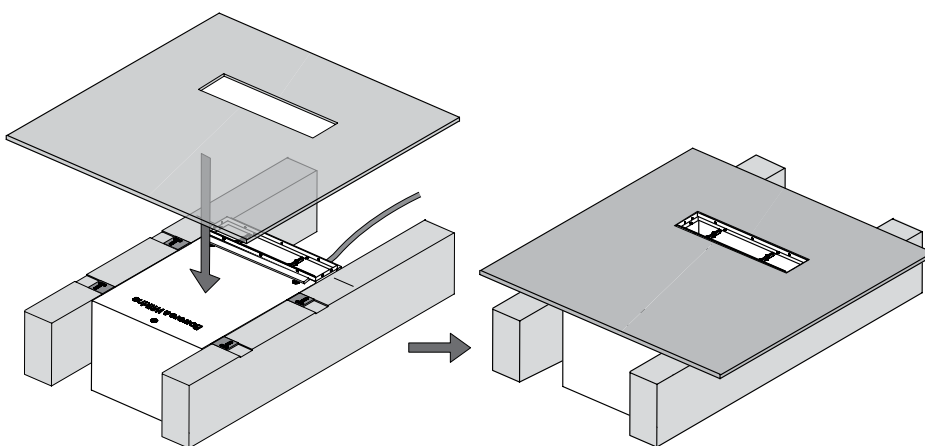


Schéma 38

Fixez l'auvent de façade (c) sur l'ouverture et sécurisez le montage à l'aide des deux vis M3 (i) que vous viendrez insérer dans les barres transversales. Ne pas trop serrer les deux vis. Il peut y avoir une certaine tension au niveau des barres transversales, mais celles-ci ne doivent pas être déformées, car dans ce cas la grille de façade ne pourra pas s'insérer correctement.

Insérer la grille (b) sur l'auvent de façade (c) (Schéma 39).

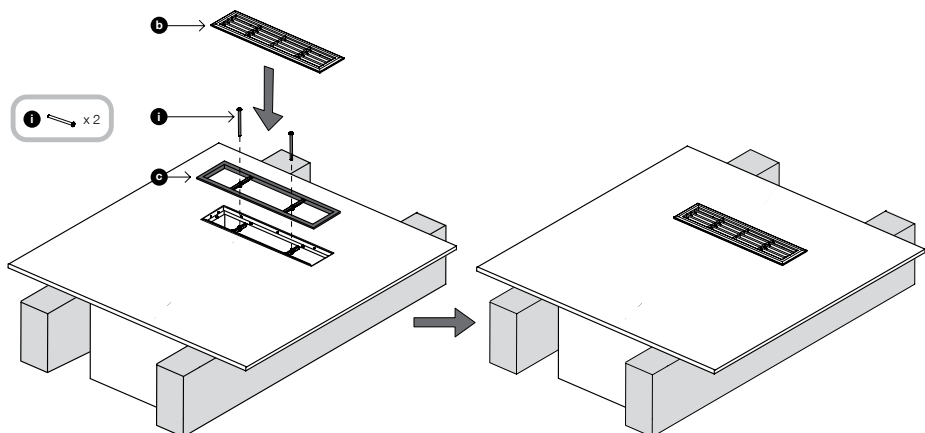


Schéma 39

6 Installation dans un placard ou un élément de cuisine


Le caisson de graves reposera sur l'étagère inférieure de l'élément de cuisine, la sortie d'air s'effectuant au niveau de la plinthe inférieure, sous la porte.

Retirez le papier de protection et fixez l'une des bandes de garnissage auto-adhésive (f) sur l'élément d'extension du capot, le long du cadre de façade.

Fixez l'extension de capot (d) sur l'avant de façade du coffret principal en vous servant des 10 vis No.4 X 10mm (l) que vous viendrez insérer dans les trous pré-perçés correspondants (Schéma 40).

Il y a une garniture au niveau de l'armature du bâti d'avant fixé au capot. Celle-ci doit être suffisamment comprimée au moment où vous mettez en place l'extension du capot. Autrement dit, l'extension du capot et les trous de fixations ne pourront pas s'aligner si la garniture n'est pas suffisamment comprimée.

Assurez que les contre-écrous sont bien positionnés en bas des tiges filetées des pieds en caoutchouc (k) puis vissez les trois pieds complètement dans les trous taraudés du coffret du caisson de graves (Schéma 41).

 Faites un trait sur la plinthe à 30mm (1.2 pouce) du bas de la surface de l'étagère inférieure. La partie supérieure du gabarit de découpe ne devra pas venir au-dessous de cette ligne (Schéma 42).

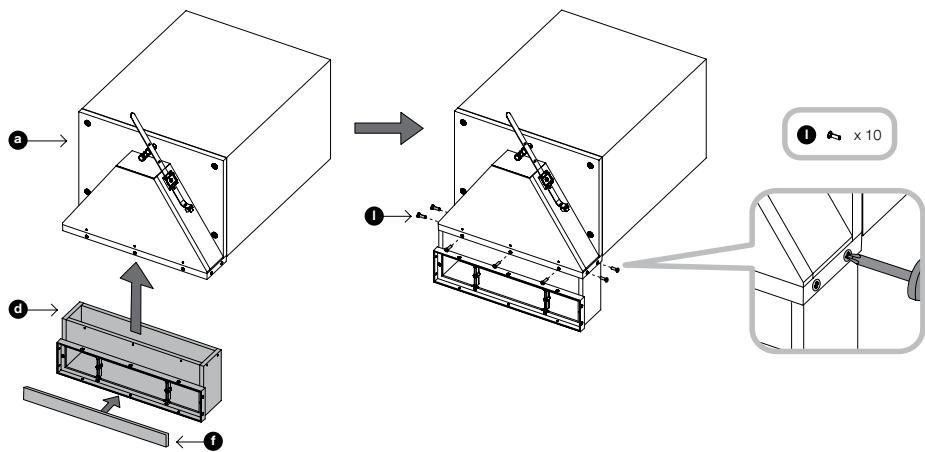


Schéma 40

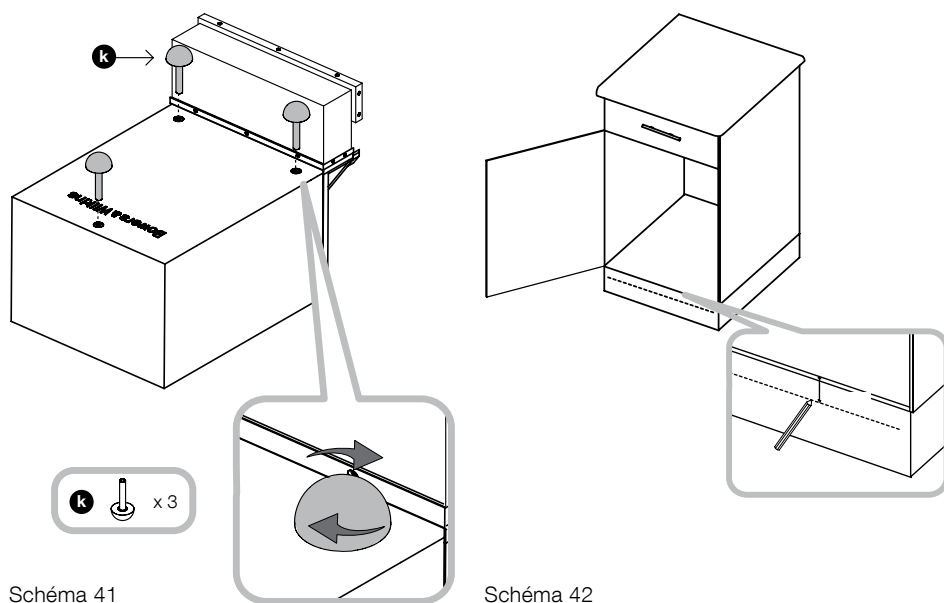



Schéma 41

Schéma 42

 A l'aide du gabarit de découpe fourni, marquez l'emplacement souhaité pour l'ouverture dans la plinthe, en vous assurant que la partie supérieure du gabarit de découpe est soit au dessus, soit aligné sur le trait, et qu'il est d'équerre par rapport au trait.

Découper une ouverture dans la plinthe et une autre ouverture dans l'étagère pour pouvoir faire passer l'extension du capot. Les deux ouvertures doivent être parfaitement alignées. L'ouverture dans l'étagère inférieure doit venir affleurer avec la partie supérieure de la plinthe (Schéma 43).

Amenez un câble approprié pour enceinte acoustique au niveau de l'emplacement d'installation.

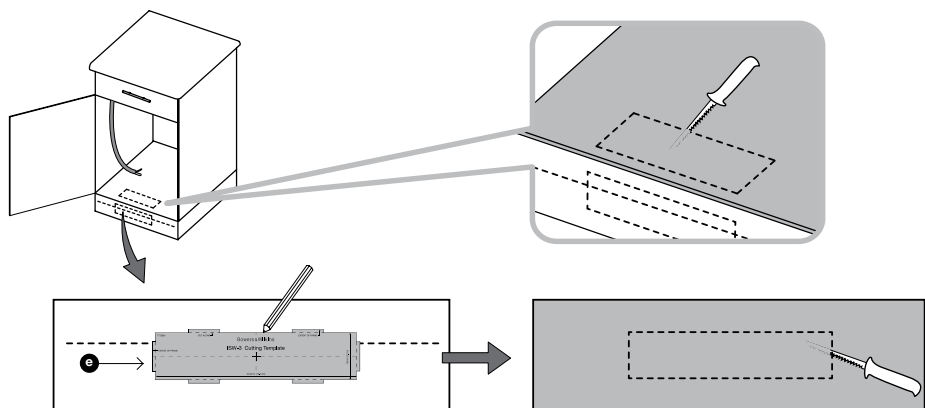


Schéma 43

Positionnez le caisson de graves sur l'étagère inférieure de l'élément de cuisine. Dévissez si besoin les pieds pour pouvoir bien aligner l'extension du capot avec la découpe réalisée dans la plinthe inférieure. En maintenant les pieds, vissez les contre-écrous jusqu'au niveau du coffret du caisson de graves pour conserver sa position (Schéma 44).

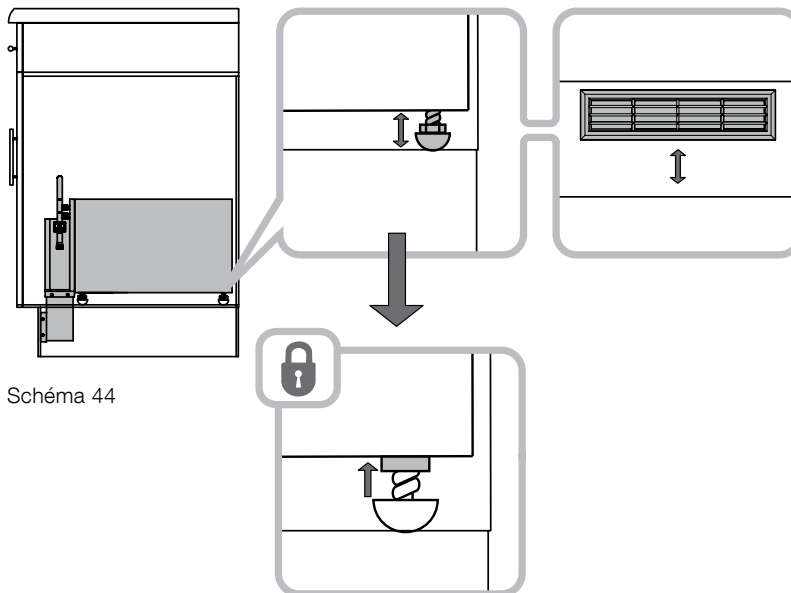


Schéma 44

Dénudez les deux extrémités du câble puis reliez aux bornes à ressort en observant une polarité correcte. Puis, fixez le câble sur le capot à l'aide d'un collier serre-câble à empêcher les vibrations (Schéma 45).

Si vous le souhaitez, vous pouvez peindre la partie visible de l'auvent de façade.

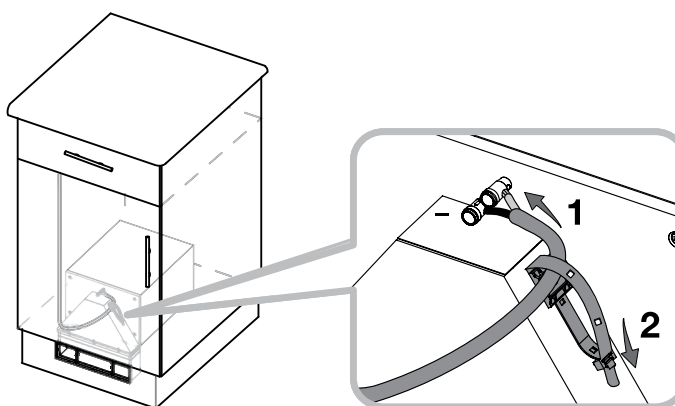


Schéma 45

Fixez l'auvent de façade (c) sur l'ouverture et sécurisez le montage à l'aide des deux vis M3 (item 11) que vous viendrez insérer dans les barres transversales. Ne pas trop serrer les deux vis. Il peut y avoir une certaine tension au niveau des barres transversales, mais celles-ci ne doivent pas être déformées, car dans ce cas la grille de façade ne pourra pas s'insérer correctement.

Enfin, ajustez la grille (b) sur l'auvent de façade (c) (Schéma 46).

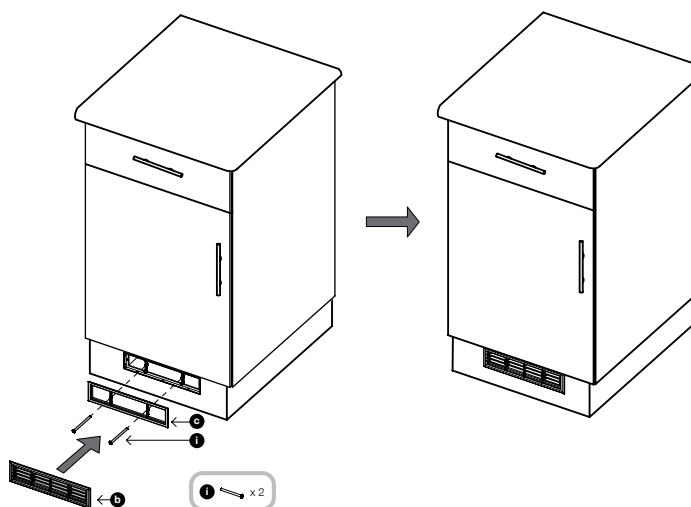


Schéma 46

7 Mise en route

Les performances du caisson de graves se modifieront de manière souvent très subtile lors des premières périodes d'écoute. Si l'enceinte de sous-grave a été stockée dans un endroit froid, les éléments amortissant et les matériaux de suspension du haut-parleur nécessiteront un certain temps avant de retrouver toutes leurs propriétés mécaniques initiales. La suspension du haut-parleur va en outre s'assouplir lors des premières heures d'utilisation.

Le temps nécessaire pour que l'enceinte acoustique atteigne le niveau de performance requis est variable et dépend des conditions de stockage préalables et de la façon dont l'enceinte est utilisée. A titre indicatif, comptez environ une semaine pour les effets liés à la température se stabilisent et 15 heures d'utilisation moyenne pour que toutes les pièces mécaniques atteignent leurs caractéristiques prévues lors de leur conception.

Des périodes de rodage plus longues ont toutefois été signalées (parfois jusqu'à un mois). Il apparaît évident que cela est dû moins aux changements survenant au niveau de l'enceinte au cours de cette période et plus au fait que l'auditeur doit dans tous les cas s'habituer progressivement à un nouveau son.

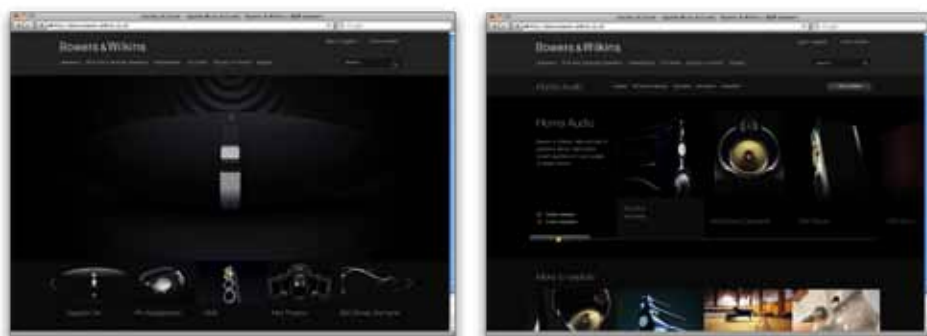
8 Entretien

Le caisson de graves ne nécessite aucun entretien particulier, si ce n'est qu'il faut régulièrement enlever et nettoyer la grille de l'auvent de façade.

Si le caisson de graves est installé sous le plancher, il est nécessaire de retirer périodiquement la grille de l'auvent de façade et de nettoyer avec un aspirateur la cavité du capot pour enlever tous les débris qui pourraient s'y trouver (Schéma 35).

Willkommen bei Bowers & Wilkins und dem ISW-3

Der Firmengründer John Bowers war der Meinung, dass ein wunderschönes Design, eine innovative Konstruktion und ausgeklügelte Technologien die Schlüssel zu Audio-Entertainment der Extraklasse in Ihrem Zuhause sind. Wir teilen seine Meinung und jedes von uns entwickelte Produkt basiert darauf.



1 Kartoninhalt

Prüfen Sie, ob Sie die folgenden Komponenten haben, die in Abbildung 1 dargestellt sind:

- a. Subwoofer
- b. Blende für den Lüftungsschlitze (weiß)
- c. Lüftungsschlitze (schwarz)
- d. Zusatzteil
- e. Schablone
- f. Dichtungsstreifen
- g. Befestigungswinkel
- h. Schrauben (8 x 12 mm)
- i. Schrauben (M3 x 35 mm)
- j. Stützleiste
- k. GummifüÙe & Sicherungsmuttern
- l. CSK-Schrauben (4 x 10 mm)
- m. CSK-Schrauben (6 x 25 mm)

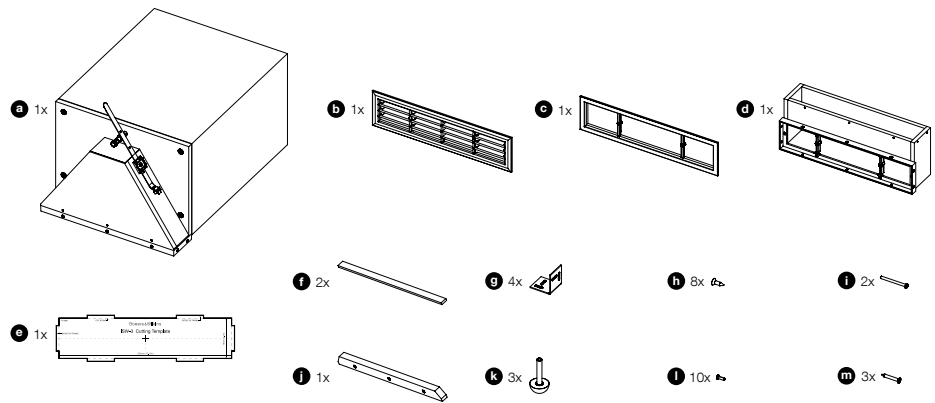


Abbildung 1

Darüber hinaus sollten Sie eine Kurzanleitung bekommen haben und ein Garantie-Booklet. Diese Anleitung enthält mehr Informationen als die Kurzanleitung.

Setzen Sie sich mit Ihrem autorisierten Fachhändler in Verbindung, wenn Teile fehlen sollten oder beschädigt sind.

2 Einsatzmöglichkeiten

Es gibt vier Einsatzmöglichkeiten:

Deckeneinbau – nur bei Neukonstruktionen möglich (Abbildung 2). Weitere Informationen hierzu erhalten Sie in Kapitel 3.

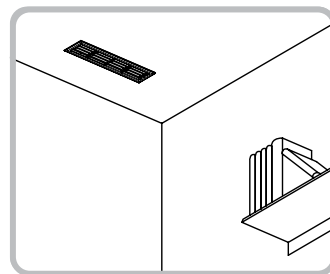


Abbildung 2

Wandeinbau – nur bei Neukonstruktionen möglich (Abbildung 3). Weitere Informationen hierzu erhalten Sie in Kapitel 4.

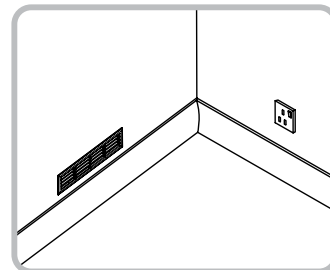


Abbildung 3

Unter dem Fußboden (Abbildung 4). Weitere Informationen hierzu erhalten Sie in Kapitel 5.

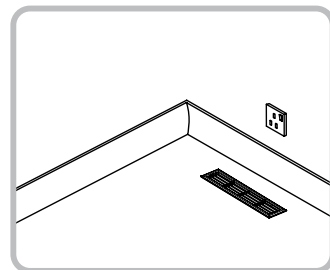


Abbildung 4

In einem Küchenelement (Abbildung 5). Weitere Informationen hierzu erhalten Sie in Kapitel 6.

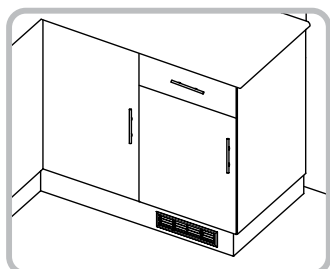


Abbildung 5

3 Deckeneinbau

Der Subwoofer passt zwischen Balken mit einem Standardabstand von 40 cm oder größer, so dass der sichtbare Lüftungsschlitz sich über der Lücke zwischen ihnen erstreckt. Hinter der Unterseite der Balken ist ein Freiraum von 25 cm oder größer erforderlich.

Markieren Sie die Mittellinie der gewünschten Position des Lüftungsschlitzes an der Unterseite jedes der beiden Balken. Machen Sie für die Befestigungswinkel zwei weitere Markierungen. Der Abstand von der Mittellinie des Lüftungsschlitzes sollte ca. 75 mm und 380 mm betragen (Abbildung 6).

Schrauben Sie die vier Winkel (g) wie in der Abbildung dargestellt in die senkrechten inneren Seiten der Balken (die dazu erforderlichen Schrauben liegen nicht bei) und stellen Sie dabei sicher, dass die Winkel bündig mit der Unterseite der Balken abschließen.

Führen Sie Lautsprecherkabel mit dem geeigneten Durchmesser zum Installationspunkt. Sichern Sie es am Balken, so dass es nicht dagegen schlägt. Der letzte Befestigungspunkt sollte dabei in der Nähe der markierten Mittellinie des Lüftungsschlitzes an der Oberseite des Balkens liegen. Lassen Sie am Ende ca. 30 – 50 cm freies Kabel übrig (Abbildung 7).

Bringen Sie die Stützleiste (j) wie in der Abbildung 8 dargestellt mithilfe der drei Schrauben (6 x 25 mm) (m) und der vorgebohrten Löcher an.

Entfernen Sie das Papier und bringen Sie die beiden selbstklebenden Dichtungsstreifen (f) an – einen auf der Stützleiste und einen am Gehäuse auf der anderen Seite des Rahmens für den Lüftungsschlitz. Auf diese Weise wird Klappern vermieden (Abbildung 9).

Heben Sie den Lautsprecher hoch, so dass er wie in der Abbildung dargestellt auf den vier Befestigungswinkeln sitzt. Ist der Abstand zwischen den Balken zu groß und somit das Einschrauben durch die Winkel in das Gehäuse nicht möglich, so muss der Einbauspezialist hierfür eine entsprechende Lösung finden.

Richten Sie die Mittellinie der Öffnung für den Lüftungsschlitz entsprechend der Markierungen auf den Balken aus.

Fixieren Sie die Gehäuseposition, indem Sie die Gewindeschneidschrauben (8 x 12 mm) (h) durch die Befestigungswinkel in das Gehäuse drehen (Abbildung 10).

Der Rahmen des Lüftungsschlitzes steht unter der Unterseite der Balken hervor.

Entfernen Sie an den Kabelenden ein Stück der Isolierung und schließen Sie es an die Federklemmen am Gehäuse an. Achten Sie auf die korrekte Polarität.

Um Geräusche zu vermeiden, sichern Sie das überschüssige Kabel mit dem am Subwoofer befestigten Kabelbinder (Abbildung 11).

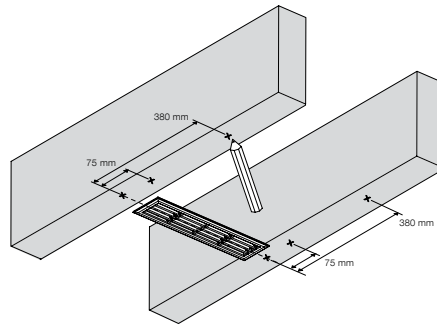


Abbildung 6

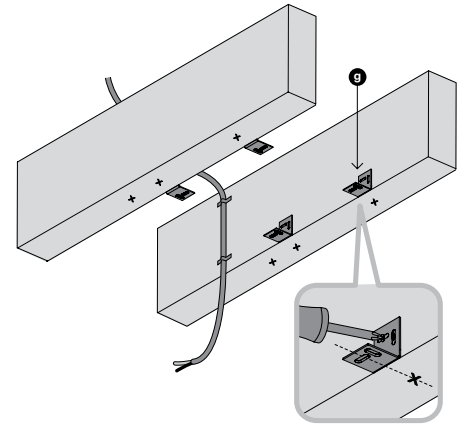


Abbildung 7

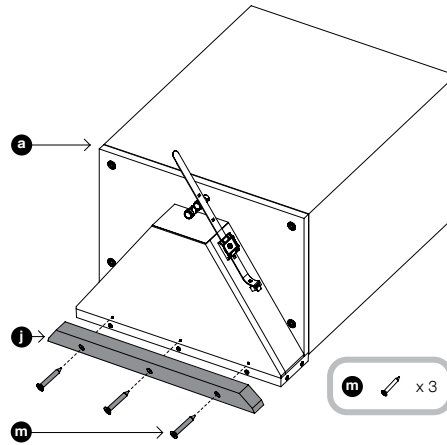


Abbildung 8

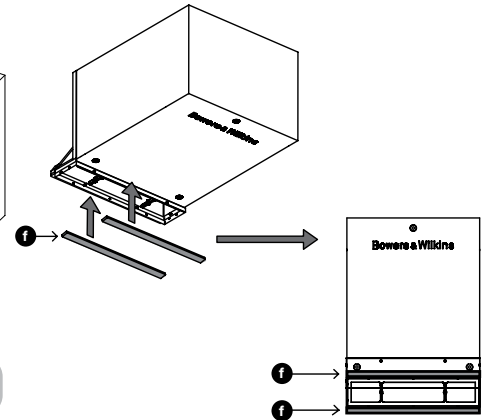


Abbildung 9

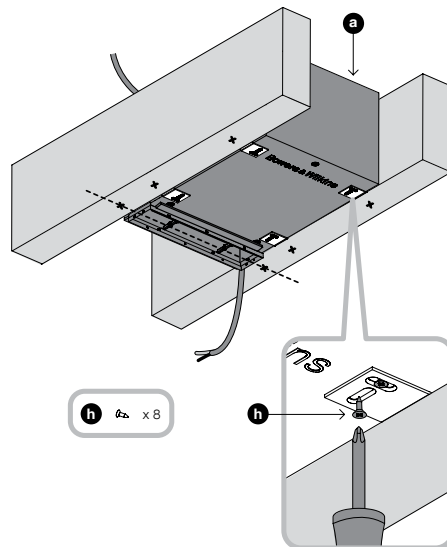


Abbildung 10

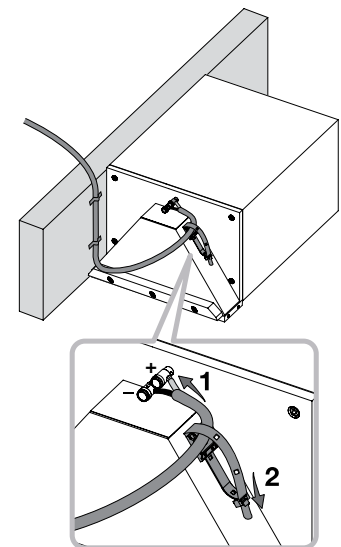


Abbildung 11

Verwenden Sie die Schablone (e), um die Öffnung an der Trockenbauwand zu markieren. Die sechs hervorstehenden Bereiche entsprechen den äußeren Abmessungen der Blende für den Lüftungsschlitz und zeigen den erforderlichen Freiraum an. Orientieren Sie sich beim Markieren nicht an diesen hervorstehenden Bereichen, sondern an den gestrichelten Linien (Abbildung 12).

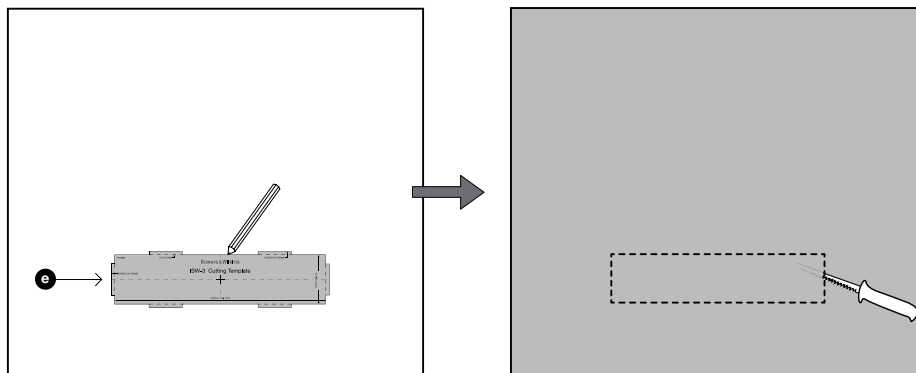


Abbildung 12

An diesem Punkt können Sie flexiblen Mastix auf die Front des Subwoofergehäuses auftragen, um ein Schlagen gegen die Deckenwand zu verhindern.

Bringen Sie die Trockenbauwände an den Deckenbalken an (Abbildung 13) und tragen Sie den abschließenden Oberputz auf.

Streichen Sie jetzt die Decke und gegebenenfalls die Blende für den Lüftungsschlitz (b), um sie farblich anzupassen. Für dieses Teil sind alle handelsüblichen Wandfarben geeignet.

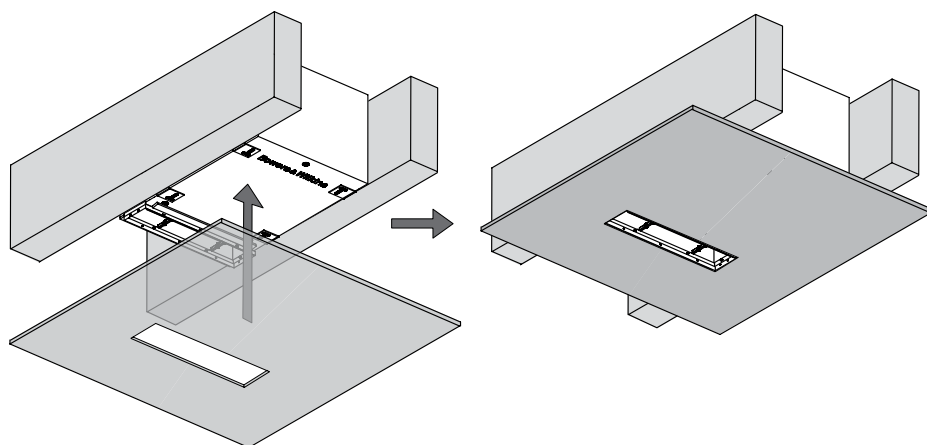


Abbildung 13

Setzen Sie den Lüftungsschlitz (c) vorne in die Öffnung und befestigen Sie den Rahmen des Lüftungsschlitzes mit zwei M3-Maschinenschrauben (i). Ziehen Sie diese nicht zu fest an. Sie sollen zwar leichte Biegezugkräfte in den beiden Streben des Lüftungsschlitzes hervorrufen, aber es sollte nicht zu einem Verziehen der Umrandung kommen und auch nicht dazu, dass die Blende nicht richtig sitzt.

Klippen Sie die Blende (b) an den Lüftungsschlitz (c) (Abbildung 14).

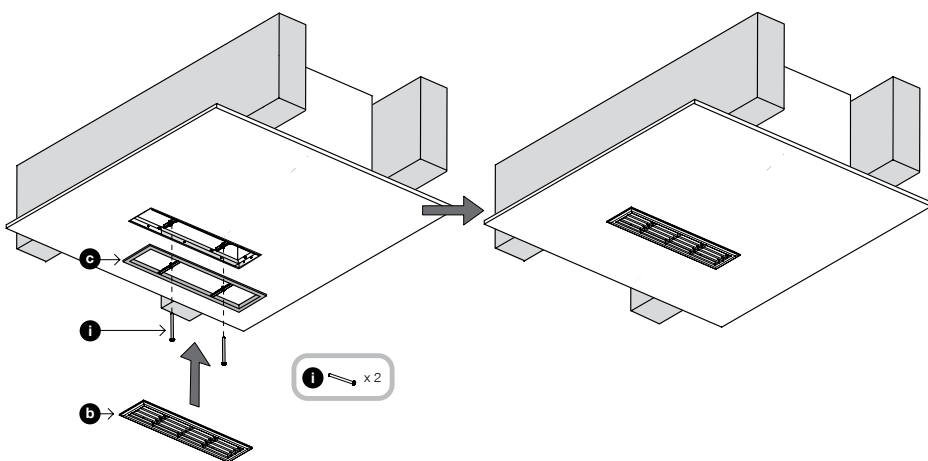


Abbildung 14

4 Wandeinbau

Der Subwoofer ist zu tief, um in eine Standardwand mit einer Dicke von 100 mm zu passen. Er lässt sich jedoch in spezielles Mobiliar einbauen, das tief genug für den Subwoofer ist und dessen Balken einen Standardabstand von 40 cm oder mehr haben.

In den meisten Fällen sollte der sichtbare Lüftungsschlitz unten an der Wand sitzen, etwas oberhalb der Fußbodenleiste. In diesem Fall kann das Gehäuse so ausgerichtet werden, dass die Abdeckung unten sitzt.

Ziehen Sie an den an jeder Seite des Subwoofers sitzenden Balken eine horizontale Linie, um so zu markieren, wo die Mittellinie der Blende für den Lüftungsschlitz sitzen sollte (Abbildung 15).

Führen Sie Lautsprecherkabel mit dem geeigneten Durchmesser zum Installationspunkt. Sichern Sie es am Balken, so dass es nicht dagegen schlägt. Der letzte Befestigungspunkt sollte dabei in der Nähe der markierten Mittellinie des Lüftungsschlitzes liegen. Lassen Sie am Ende ca. 30 – 50 cm freies Kabel übrig (Abbildung 16).

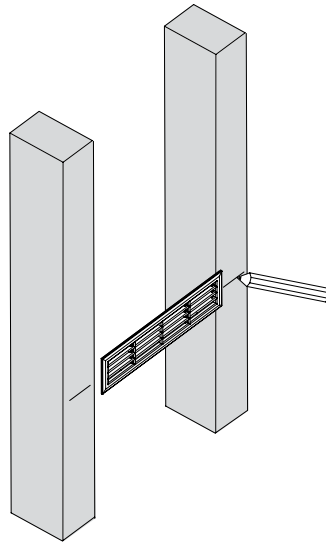


Abbildung 15

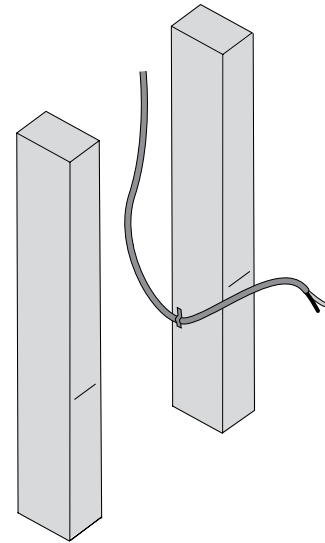


Abbildung 16

Schrauben Sie die vier Befestigungswinkel (g) an die Seiten des Subwoofergehäuses. Nutzen Sie dazu pro Winkel zwei Schrauben (8 x 12 mm) (h). Siehe Abbildung 17.

Die vertikale Position der Winkel ist nicht kritisch, aber stellen Sie sicher, dass sie bündig mit der Gehäusefront abschließen.

Es ist nicht unbedingt erforderlich, aber es erleichtert das Anbringen des Subwoofers, wenn Sie ihn vorübergehend unten stützen, um den Lüftungsschlitz in die richtige Höhe zu bringen.

Schieben Sie den Subwoofer in die gewünschte Montageposition (Abbildung 18).

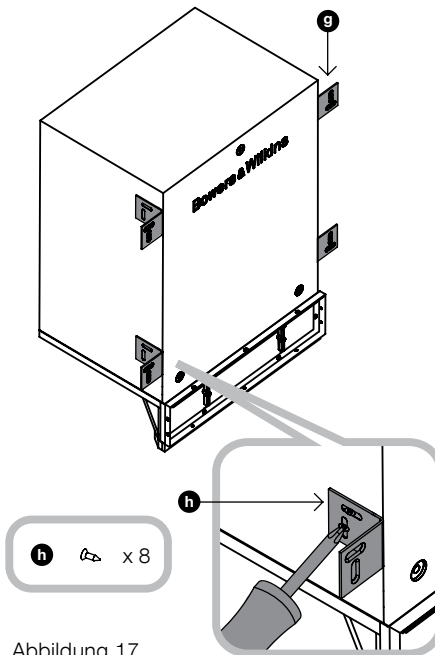


Abbildung 17

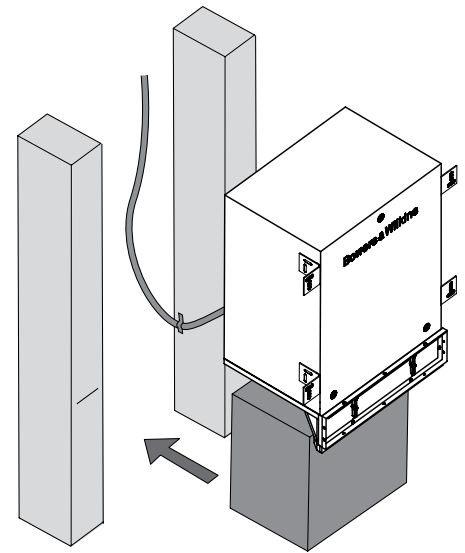


Abbildung 18

Markieren Sie an der Vorderseite der Balken den Umriss der Befestigungswinkel (Abbildung 19).

Anschließend entfernen Sie den Subwoofer und reduzieren die Tiefe des Balkens zwischen den markierten Linien um 2 mm, damit die Winkel die Trockenbauplatte nicht ausbeulen, wenn sie angebracht wird (Abbildung 20).

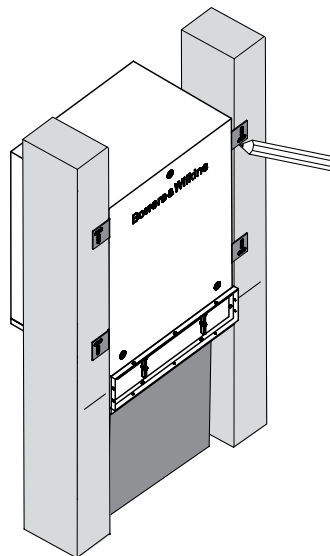


Abbildung 19

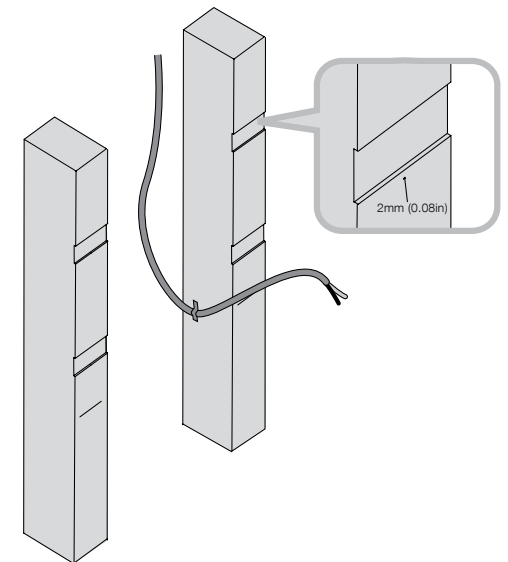


Abbildung 20

Bringen Sie die Stützleiste (j) wie in der Abbildung 21 dargestellt mithilfe der drei Schrauben (6 x 25 mm) (m) und der vorgebohrten Löcher an.

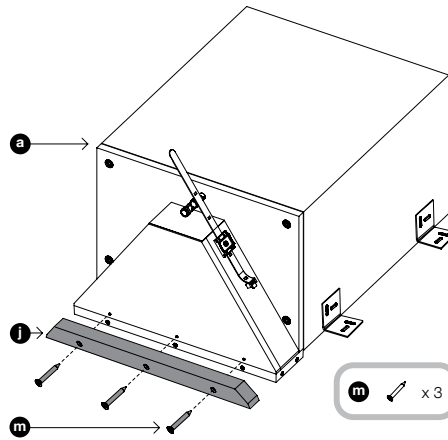


Abbildung 21

Entfernen Sie das Papier und bringen Sie die beiden selbstklebenden Dichtungsstreifen (f) an – einen auf der Stützleiste und einen am Gehäuse auf der anderen Seite des Rahmens für den Lüftungsschlitz. Auf diese Weise werden Geräusche vermieden (Abbildung 22).

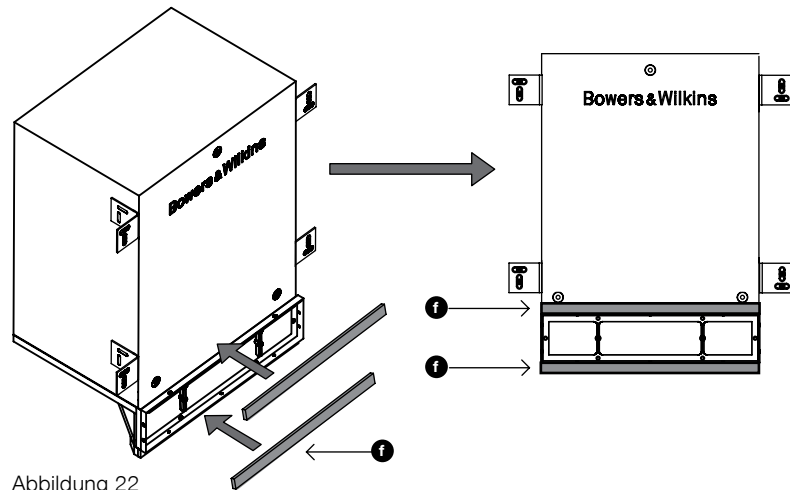


Abbildung 22

Bringen Sie den Subwoofer in die Nähe seiner zukünftigen Position. Entfernen Sie an den Kabelenden ein Stück der Isolierung und schließen Sie es an die Federklemmen am Gehäuse an. Achten Sie auf die korrekte Polarität. Um Geräusche zu vermeiden, sichern Sie das überschüssige Kabel mit dem an der Abdeckung befestigten Kabelbinder (Abbildung 23).

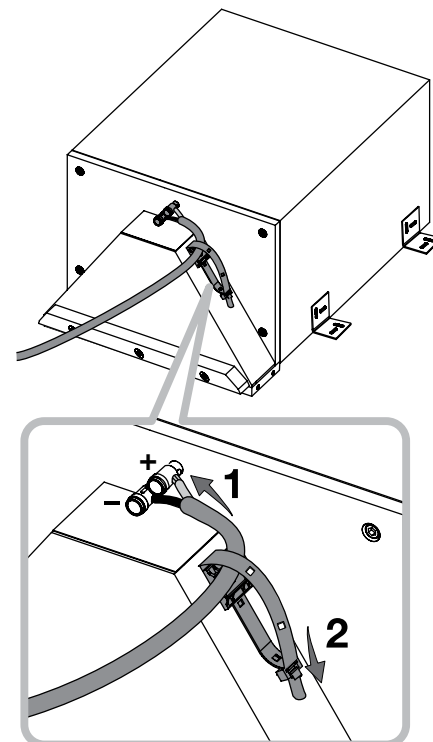


Abbildung 23

Verwenden Sie gegebenenfalls einen Stützblock und bringen Sie den Subwoofer in Position. Dabei sitzen die Befestigungswinkel in den Aussparungen der Balken. Schrauben Sie die Winkel in die Balken (die dazu erforderlichen Schrauben liegen nicht bei). Siehe Abbildung 24.

Anschließend können Sie den Stützblock wieder entfernen.

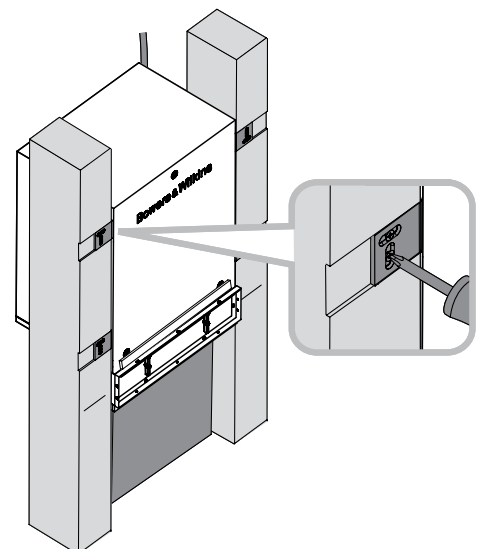


Abbildung 24

Verwenden Sie die Schablone (e), um die Öffnung an der Trockenbauwand zu markieren. Die sechs hervorstehenden Bereiche entsprechen den äußeren Abmessungen der Blende für den Lüftungsschlitze und zeigen den erforderlichen Freiraum an. Orientieren Sie sich beim Markieren nicht an diesen hervorstehenden Bereichen, sondern an den gestrichelten Linien (Abbildung 25).

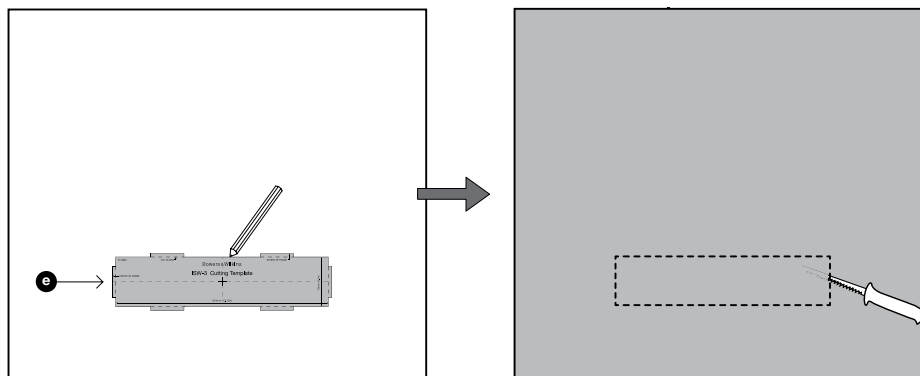


Abbildung 25

An diesem Punkt können Sie flexiblen Mastix auf die Front des Subwoofergehäuses auftragen, um ein Schlagen gegen die Wand zu verhindern.

Bringen Sie die Trockenbauwände an den Balken an (Abbildung 26) und tragen Sie den abschließenden Oberputz auf.

Streichen Sie jetzt die Wand und gegebenenfalls die Blende für den Lüftungsschlitze (b), um sie farblich anzupassen. Für dieses Teil sind alle handelsüblichen Wandfarben geeignet.

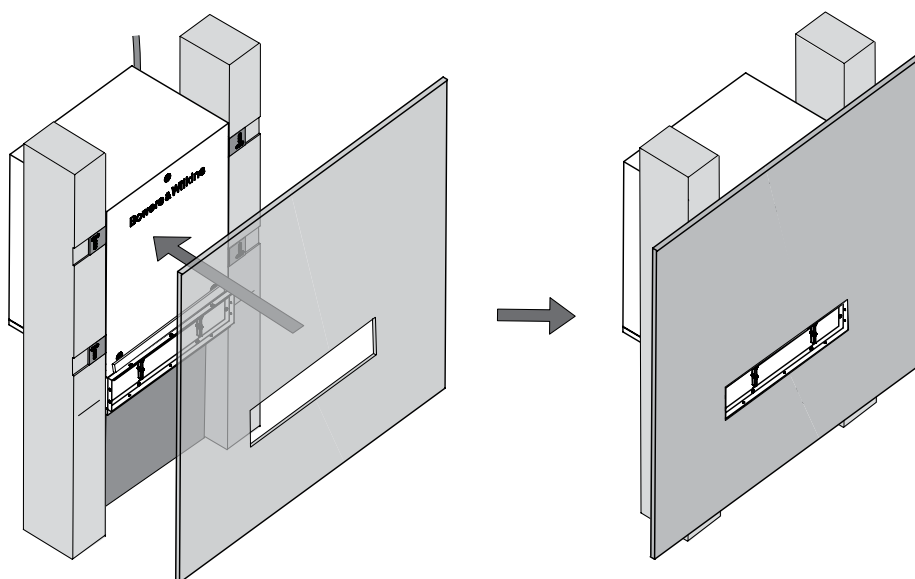


Abbildung 26

Setzen Sie den Lüftungsschlitze (c) vorne in die Öffnung und befestigen Sie den Rahmen des Lüftungsschlitzes mit zwei M3-Maschinenschrauben (i). Ziehen Sie diese nicht zu fest an. Sie sollen zwar leichte Biegezugkräfte in den beiden Befestigungsstreben des Lüftungsschlitzes hervorrufen, aber es sollte nicht zu einem Verziehen der Umrandung kommen und auch nicht dazu, dass die Blende nicht richtig sitzt.

Klippen Sie die Blende (b) an den Lüftungsschlitze (c) (Abbildung 27).

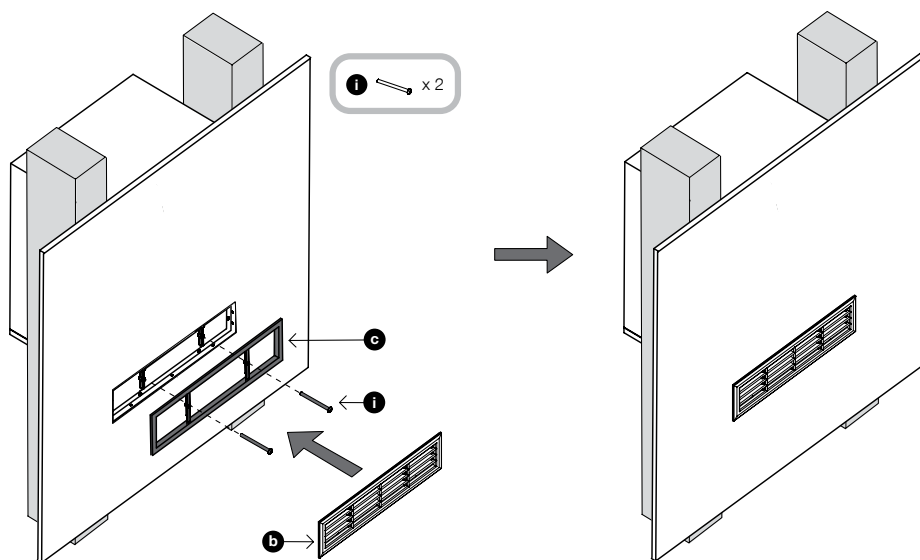


Abbildung 27

5 Einbau unter dem Fußboden

Der Subwoofer passt zwischen Balken mit einem Standardabstand von 40 cm oder größer, so dass sich der sichtbare Lüftungsschlitze über der Lücke zwischen ihnen erstreckt. Hinter der Oberseite der Balken ist ein Freiraum von 25 cm oder größer erforderlich.

Der Einsatz dieses Subwoofers ist nicht zu empfehlen, wenn auf dem Fußboden ein dicker Teppich liegen soll. Der Einsatz eines Teppichs mit niedrigem Flor, wie beispielsweise Teppichfliesen, ist unter bestimmten Umständen möglich.

Markieren Sie die Mittellinie der gewünschten Position des Lüftungsschlitzes an der Oberseite jedes der beiden Balken (Abbildung 28).

Führen Sie Lautsprecherkabel mit dem geeigneten Durchmesser zum Installationspunkt. Sichern Sie es am Balken, so dass es nicht dagegen schlägt. Der letzte Befestigungspunkt sollte dabei in der Nähe der markierten Mittellinie des Lüftungsschlitzes an der Unterseite des Balkens liegen. Lassen Sie am Ende ca. 30 – 50 cm freies Kabel übrig (Abbildung 29).

Schrauben Sie die vier Befestigungswinkel (g) an die Seiten des Subwoofergehäuses. Nutzen Sie dazu pro Winkel zwei Schrauben (8 x 12 mm) (h). Die seitliche Position der Winkel ist nicht kritisch, aber stellen Sie sicher, dass sie bündig mit der Oberseite des Gehäuses abschließen, wenn die Öffnung der Abdeckung nach oben zeigt.

Legen Sie den Subwoofer zwischen die Balken. Dort wird er von den Winkeln, die auf den Balken aufliegen, unterstützt (Abbildung 31).

Ist der Abstand zwischen den Balken zu groß und somit das Einschrauben durch die Winkel in das Gehäuse nicht möglich, so muss der Einbauspezialist hierfür eine entsprechende Lösung finden.

Richten Sie den Rahmen des Lüftungsschlitzes entsprechend den Markierungen der Träger aus und markieren Sie an den Balken den Umriss der Befestigungswinkel.

Anschließend entfernen Sie den Subwoofer und reduzieren die Tiefe des Balkens zwischen den markierten Linien um 2 mm, um die Dicke der Winkel auszugleichen (Abbildung 32).

Bringen Sie die Stützleiste (j) wie in der Abbildung 33 dargestellt mithilfe der drei Schrauben (6 x 25 mm) (m) und der vorgebohrten Löcher an der Oberseite der Abdeckung an.

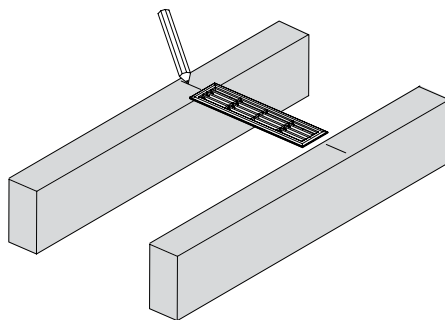


Abbildung 28

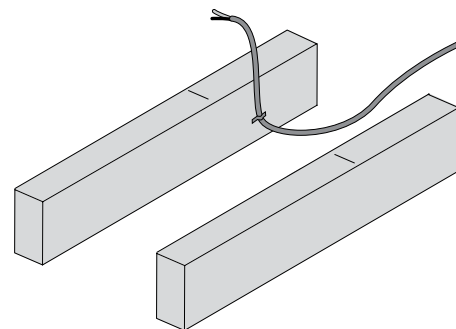


Abbildung 29

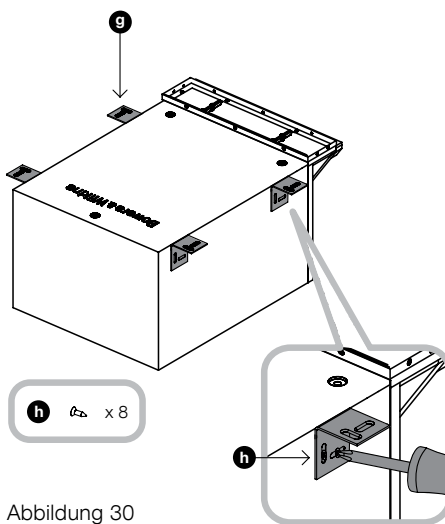


Abbildung 30

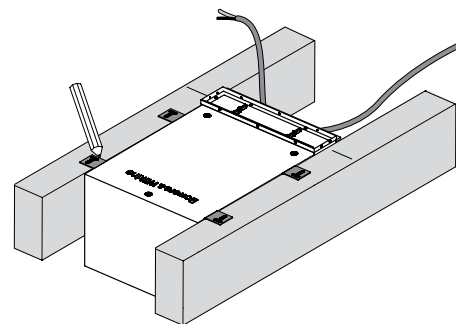


Abbildung 31

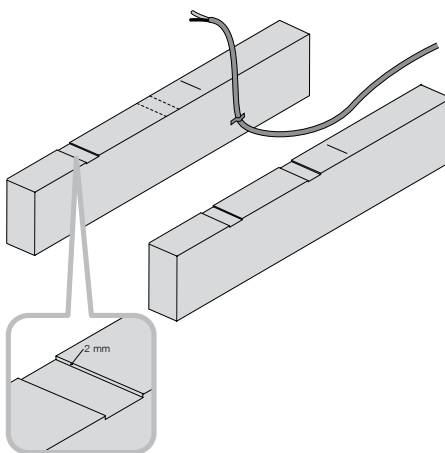


Abbildung 32

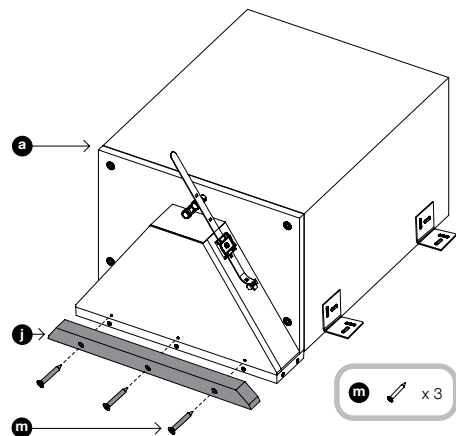


Abbildung 33

Entfernen Sie das Papier und bringen Sie die beiden selbstklebenden Dichtungsstreifen (f) an – einen auf der Stützleiste und einen am Gehäuse auf der anderen Seite des Rahmens für den Lüftungsschlitz. Auf diese Weise wird Klappern vermieden (Abbildung 34).

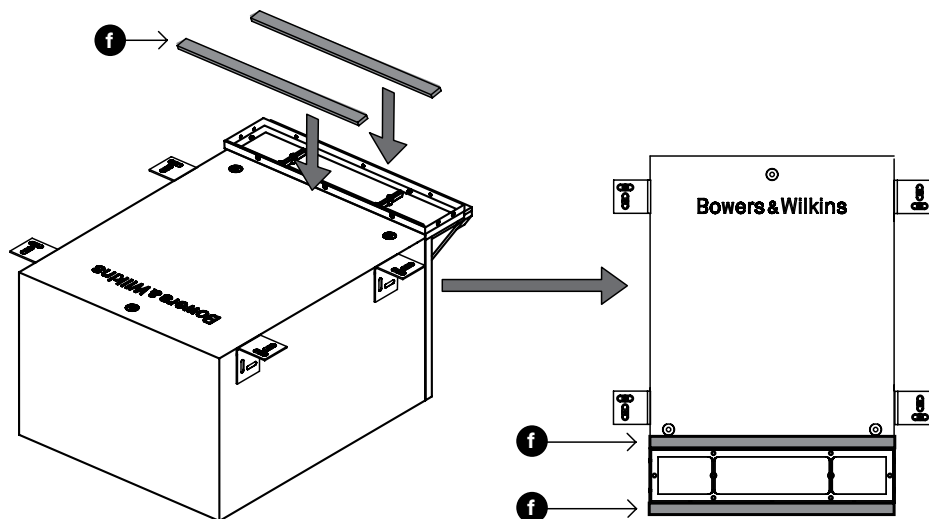


Abbildung 34

Bringen Sie den Subwoofer in die Nähe seiner zukünftigen Position. Entfernen Sie an den Kabelenden ein Stück der Isolierung und schließen Sie es an die Federklemmen am Gehäuse an. Achten Sie auf die korrekte Polarität. Um Geräusche zu vermeiden, sichern Sie das überschüssige Kabel mit dem an der Abdeckung befestigten Kabelbinder (Abbildung 35).

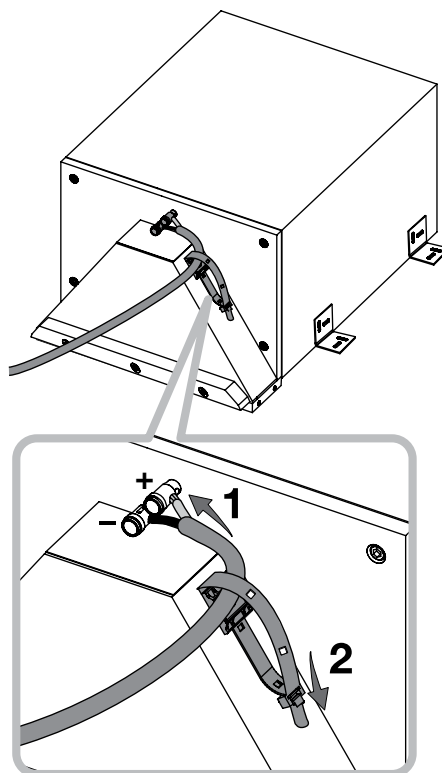


Abbildung 35

Bringen Sie den Subwoofer in Position. Dabei sitzen die Befestigungswinkel in den Aussparungen der Balken. Schrauben Sie die Winkel in die Balken (die dazu erforderlichen Schrauben liegen nicht bei). Siehe Abbildung 36.

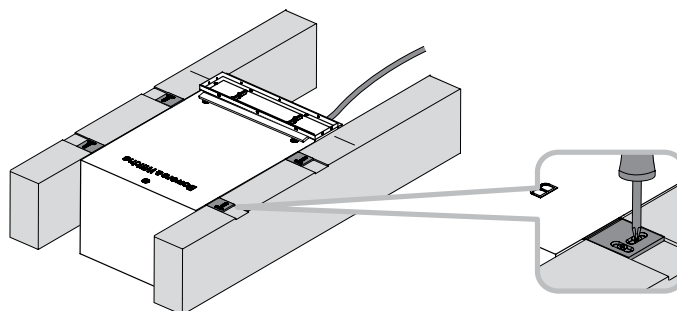


Abbildung 36

Verwenden Sie die Schablone (e) bei Holzfußböden, die aus großen Platten bestehen, um die Öffnung auf der Bodenplatte zu markieren. Die sechs hervorstehenden Bereiche entsprechen den äußeren Abmessungen der Blende für den Lüftungsschlitz und zeigen den erforderlichen Freiraum an. Orientieren Sie sich beim Markieren nicht an diesen hervorstehenden Bereichen, sondern an den gestrichelten Linien (Abbildung 37).

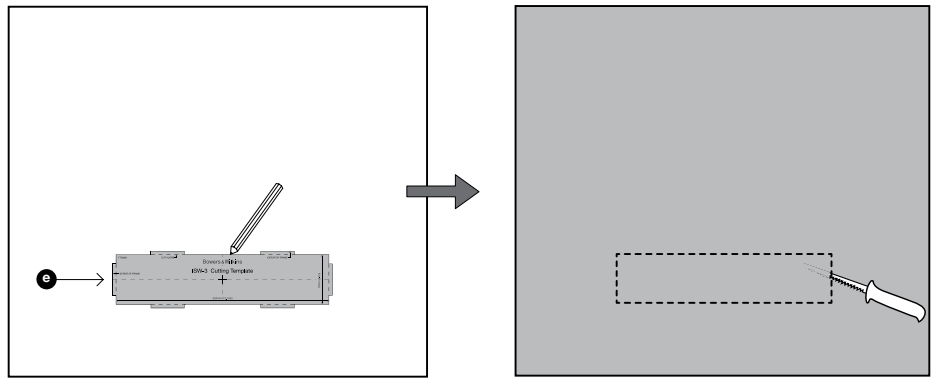


Abbildung 37

An diesem Punkt können Sie flexiblen Mastix auf die Seite des Subwoofergehäuses auftragen, um ein Schlagen gegen die Unterseite der Bodenoberfläche zu verhindern.

Stellen Sie bei Holzfußböden, die aus großen Platten bestehen, sicher, dass die ausgeschnittene Öffnung über dem Lüftungsschlitz sitzt.

Verlegen Sie bei Böden, die wie Laminat aus einzelnen Brettern bestehen, die Bretter um den hervorstehenden Rahmen des Lüftungsschlitzes herum.

Falls möglich (siehe den Hinweis am Anfang dieses Kapitels) verlegen Sie den Teppich und schneiden Sie dort ein Loch hinein, wo sich auch das Loch in der Bodenplatte befindet.

Streichen Sie gegebenenfalls die Blende für den Lüftungsschlitz (b).

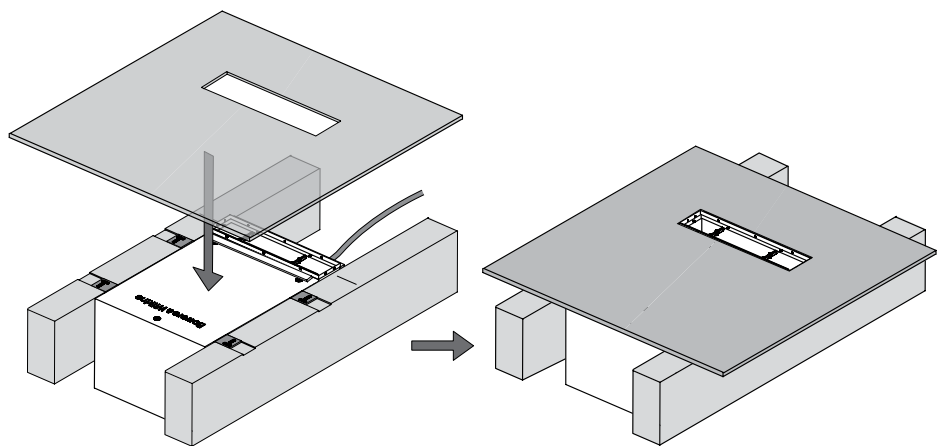


Abbildung 38

Setzen Sie den Lüftungsschlitz (c) vorne in die Öffnung und befestigen Sie den Rahmen des Lüftungsschlitzes mit zwei M3-Maschinenschrauben (i). Ziehen Sie diese nicht zu fest an. Sie sollen zwar leichte Biegezugkräfte in den beiden Befestigungsstreben des Lüftungsschlitzes hervorrufen, aber es sollte nicht zu einem Verziehen der Umrandung kommen und auch nicht dazu, dass die Blende nicht richtig sitzt.

Klippen Sie die Blende (b) an den Lüftungsschlitz (c) (Abbildung 39).

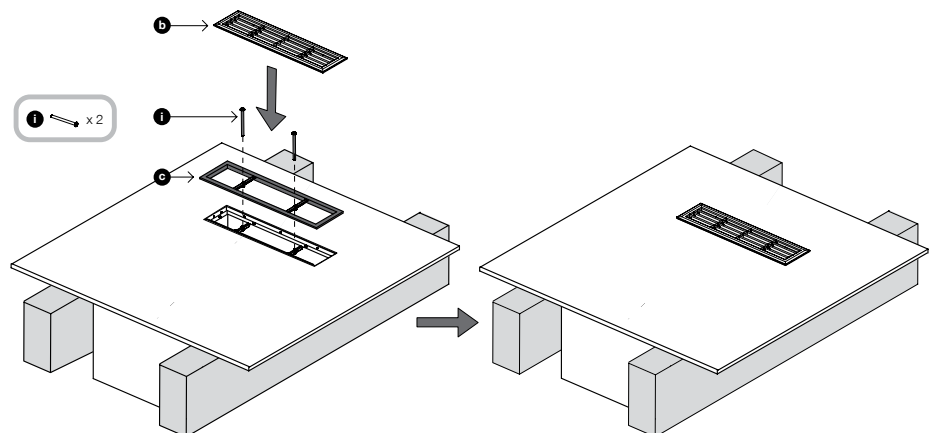


Abbildung 39

6 Einbau in ein Küchenelement

Der Subwoofer wird unten in das Element eingebaut und die Belüftung erfolgt durch eine Öffnung im Bereich unterhalb der Tür.

Entfernen Sie das Papier und bringen Sie einen der selbstklebenden Dichtungstreifen (f) am Zusatzteil entlang der Kante des Rahmens für den Lüftungsschlitz an.

Befestigen Sie das Zusatzteil (d) am Rahmen für den Lüftungsschlitz am Hauptgehäuse. Nutzen Sie dazu 10 Schrauben (4 x 10 mm) und die vorgebohrten Löcher (Abbildung 40).

Am Rahmen des Lüftungsschlitzes befindet sich eine Dichtung. Diese muss beim Anbringen des Zusatzteils komprimiert werden. Auch die vorgebohrten Löcher sind erst nach dem Komprimieren optimal ausgerichtet.

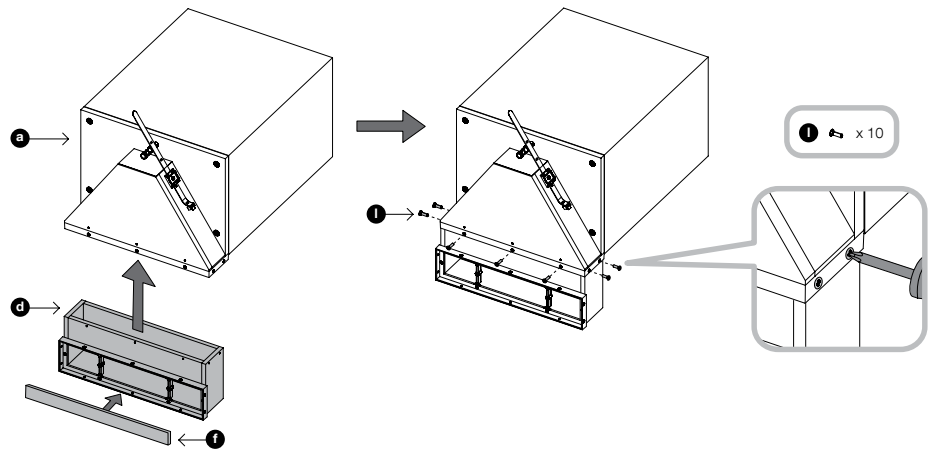



Abbildung 40

Stellen Sie sicher, dass die Sicherungsmuttern vollständig auf die Gewinde der GummifüÙe (k) geschraubt werden. Schrauben Sie anschließend alle drei FüÙe vollständig in die Gewindebohrungen im Subwoofergehäuse (Abbildung 41).

 Ziehen Sie, wie in der Abbildung dargestellt, an der Oberfläche des unteren Bretts beginnend eine 30 mm lange Markierung nach unten. Die Oberseite der auszuschneidenden Öffnung darf nicht unterhalb dieser Linie liegen (Abbildung 42).

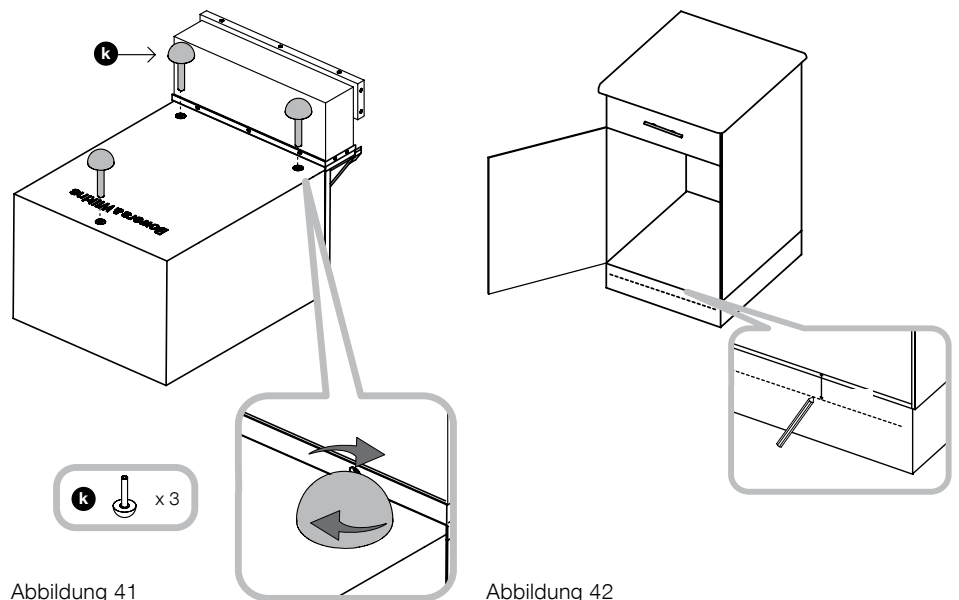



Abbildung 41

Abbildung 42

 Nutzen Sie die beiliegende Schablone, um die Öffnung wie in der Abbildung dargestellt zu markieren. Stellen Sie dabei sicher, dass sich die Oberseite der Schablone an oder über der Markierung befindet und entsprechend ausgerichtet ist.

Schneiden Sie wie in der Abbildung dargestellt zwei Löcher aus. Die Frontseite des oberen Loches sollte bündig zur Rückseite des unterhalb der Tür befindlichen Brettes liegen (Abbildung 43).

Führen Sie Lautsprecherkabel mit dem geeigneten Durchmesser zum Installationspunkt.

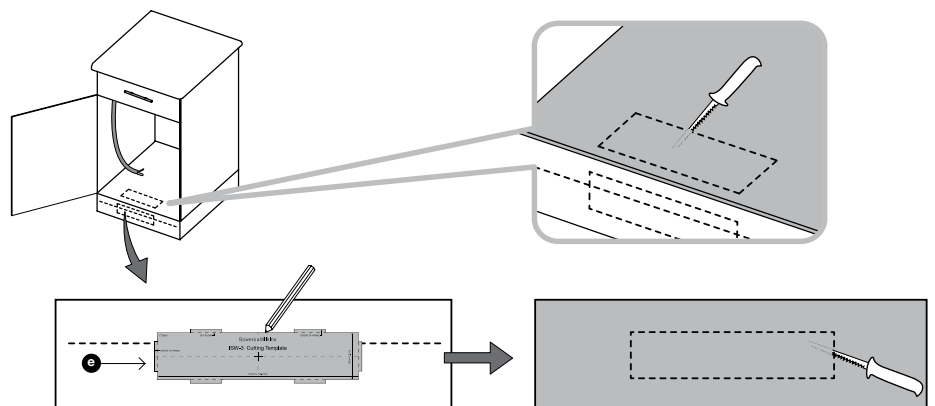


Abbildung 43

Platzieren Sie den Subwoofer wie in der Abbildung dargestellt. Lösen Sie die FüÙe so weit wie nötig, um das Zusatzteil entsprechend der Öffnung unterhalb der Tür auszurichten. Schrauben Sie die Sicherungsmuttern, ohne die FüÙe zu bewegen, in Richtung Subwoofergehäuse fest, um die Position zu halten (Abbildung 44).

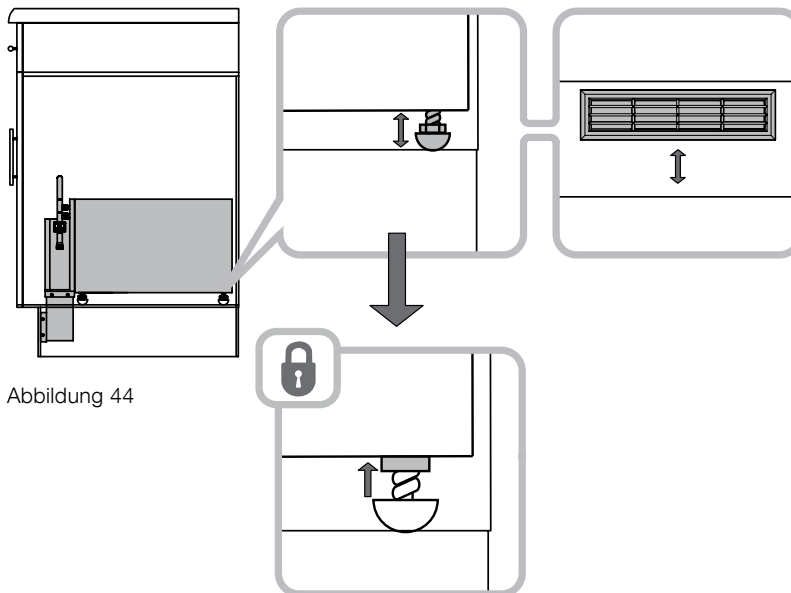


Abbildung 44

Entfernen Sie an den Kabelenden ein Stück der Isolierung und schließen Sie es an die Federklemmen am Gehäuse an. Achten Sie auf die korrekte Polarität. Um Geräusche zu vermeiden, sichern Sie das überschüssige Kabel mit dem an der Abdeckung befestigten Kabelbinder (Abbildung 45).

Streichen Sie gegebenenfalls die Blende für den Lüftungsschlitz.

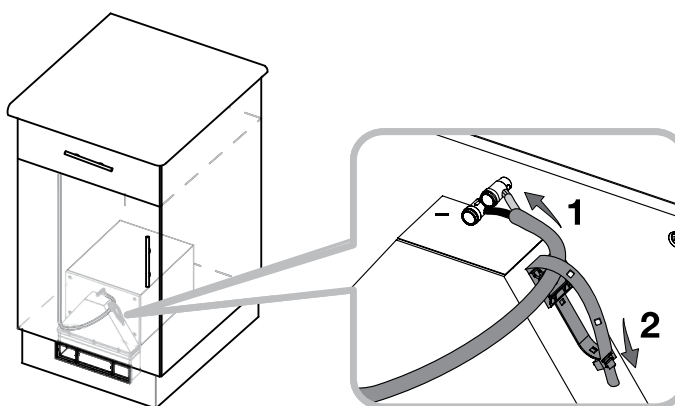


Abbildung 45

Setzen Sie den Lüftungsschlitz (c) vorne in die Öffnung und befestigen Sie den Rahmen des Lüftungsschlitzes mit zwei M3-Maschinenschrauben (i). Ziehen Sie diese nicht zu fest an. Sie sollen zwar leichte Biegezugkräfte in den beiden Befestigungsstreben des Lüftungsschlitzes hervorrufen, aber es sollte nicht zu einem Verziehen der Umrandung kommen und auch nicht dazu, dass die Blende nicht richtig sitzt.

Klippen Sie die Blende an den Lüftungsschlitz (Abbildung 46).

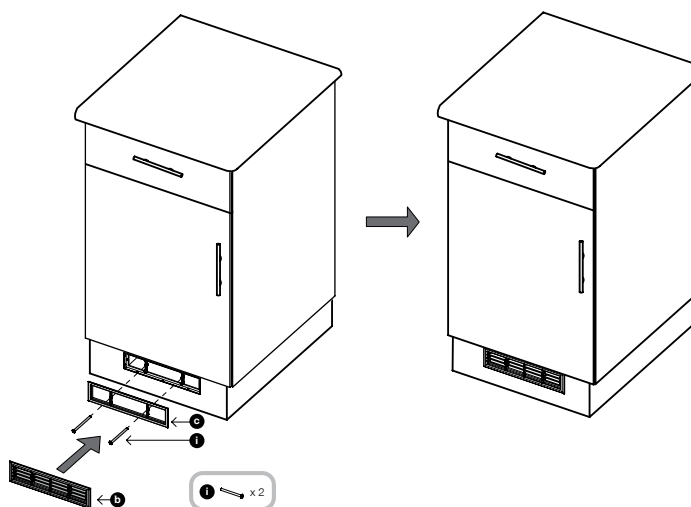


Abbildung 46

7 Einlaufphase

In der Einlaufphase gibt es feine Unterschiede in der Wiedergabequalität des Subwoofers. Wurde er in einer kühlen Umgebung gelagert, so wird es einige Zeit dauern, bis die Dämpfungskomponenten und die für die Aufhängung der Chassis eingesetzten Werkstoffe ihre optimalen mechanischen Eigenschaften besitzen. Die Aufhängung der Chassis wird mit den ersten Betriebsstunden beweglicher. Die Zeit, die der Subwoofer benötigt, um seine maximale Leistungsfähigkeit zu entwickeln, schwankt abhängig von den vorherigen Lager- und Einsatzbedingungen. Grundsätzlich kann man sagen, dass es eine Woche dauert, bis sich Lautsprecher nach Temperatureinwirkungen stabilisiert haben. 15 Betriebsstunden sind erforderlich, bis die mechanischen Teile ihre Funktion, wie bei der Konstruktion festgelegt, erfüllen können.

Jedoch ist uns schon von längeren Einlaufphasen (bis zu einem Monat) berichtet worden. Man kann aber davon ausgehen, dass dieser Eindruck eher mit dem Hörer zu tun hat, der aufgrund der hochwertigen Klangqualität dieses Subwoofers jetzt Details wahrnimmt, die vorher nicht zu hören waren.

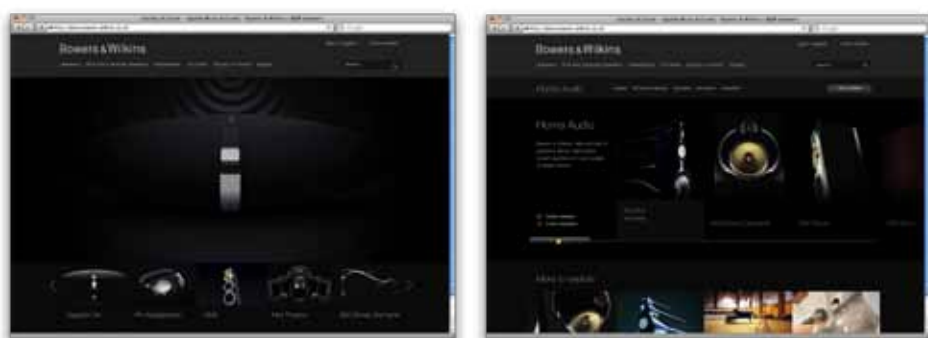
8 Pflege

Der Subwoofer muss nicht gewartet werden, jedoch sollte von Zeit zu Zeit die Blende für den Lüftungsschlitz entfernt und gereinigt werden.

Ist der Subwoofer unter dem Fußboden eingebaut, so sollte von Zeit zu Zeit die Blende für den Lüftungsschlitz abgenommen und die Öffnung gesaugt werden, um hereingefallenen Schmutz zu entfernen.

Bem-vindo à Bowers & Wilkins e ao ISW-3

Obrigado por escolher Bowers & Wilkins. Quando John Bowers fundou a nossa empresa, fê-lo na convicção de que um design criativo, um projecto inovador e uma tecnologia avançada seriam as chaves que podiam desbloquear a apreciação do som em ambiente doméstico. A sua visão é a que continuamos a partilhar e que inspira cada um dos produtos que produzimos.



1 Conteúdo

Verifique se tem os seguintes componentes mostrados na Figura 1:

- a. Subwoofer
- b. Grelha de saída (branco)
- c. Grelha (preto)
- d. Capuz de saída
- e. Template de Corte
- f. Tiras de isolamento
- g. Suportes de sustentação em ângulo
- h. Parafusos No.8 x 12mm (0.5 in)
- i. Parafusos de cabeça de botão M3 x 35mm (1,38 in)
- j. Barra de apoio
- k. Pés de borracha e porcas
- l. Parafusos CSK No.4 x 10mm (0.38 in)
- m. Parafusos CSK No.6 x 25mm (1 in)

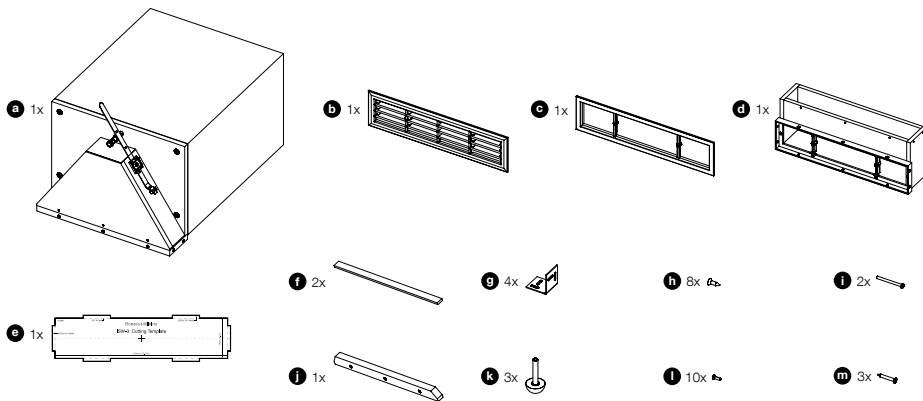


Figura 1

Além disso, também deve ter um Guia de Início Rápido e folheto de garantia. Este manual fornece mais detalhes do que o Guia de Início Rápido. Consulte o seu revendedor, se alguma peça estiver faltando ou estiver danificada.

2 Aplicações

Há quatro possíveis aplicações, cada uma coberta por uma secção separada:

No tecto – apenas construção nova (Figura 2)
Ir para a Secção 3.

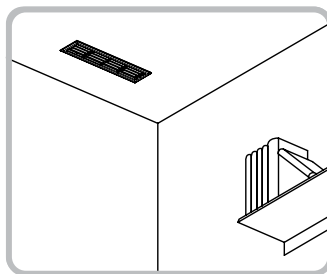


Figura 2

Ne parede – apenas construção nova (Figura 3)
Ir para a Secção 4.

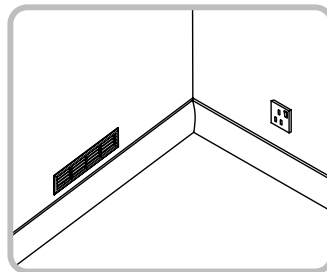


Figura 3

Sob o piso (Figura 4)
Ir para a Secção 5.

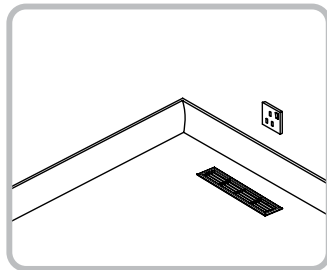


Figura 4

Em unidade de cozinha (Figura 5)
Ir para a Secção 6.

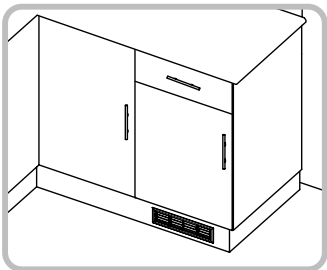


Figura 5

3 Instalação no tecto

A coluna deverá caber entre vigas com um padrão de espaçamento de 40cm (16in) ou mais, de modo que a grelha de saída visível atravessasse a distância entre elas. É necessário um espaço de 25cm (10in) ou mais por trás da face inferior das vigas.

Marque a linha central da posição desejada da grelha na face inferior das vigas de cada lado. Faça duas marcas ainda em ambas as vigas em cerca de 75mm (3in) e 380mm (15in) a partir da linha central da grelha para os suportes de apoio em ângulo (Figura 6).

Aparafuse os quatro suportes em L (g), como mostrado nas faces verticais dentro das vigas (parafusos não fornecidos), assegurando que os suportes fiquem enquadrados e nivelados com a face inferior das vigas.

Passo o cabo de coluna de secção apropriada para o ponto de instalação. Fixe-o às vigas para não vibrar, com o ponto de fixação final, perto da linha central da grelha de saída marcado perto do topo da viga. Deixe aproximadamente 30cm – 50cm (12in – 20in) livre no final (Figura 7).

Fixe a barra de suporte (j) para o capuz de saída com os três parafusos No.6 x 25mm (m) nos furos pré-perfurados (Figura 8).

Retire o papel traseiro e aplique as duas tiras auto-adesivas de isolamento (f), uma para a barra de apoio e outra para a extremidade oposta da grelha de saída. As mesmas devem incidir sobre a placa de pladur para evitar vibrações (Figura 9).

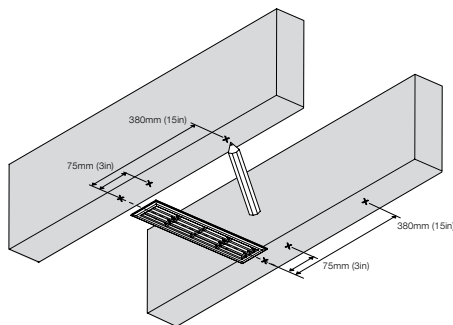


Figura 6

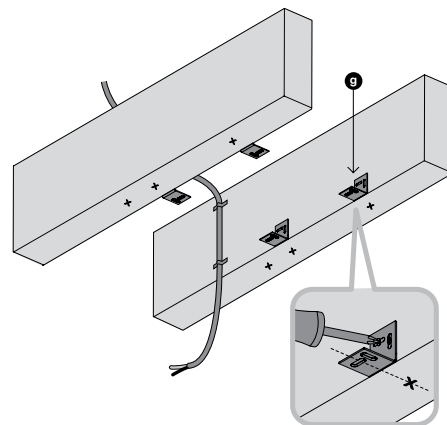


Figura 7

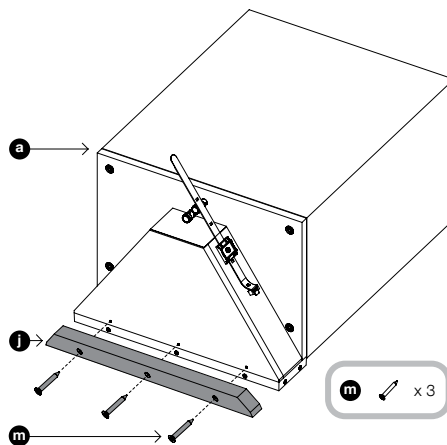


Figura 8

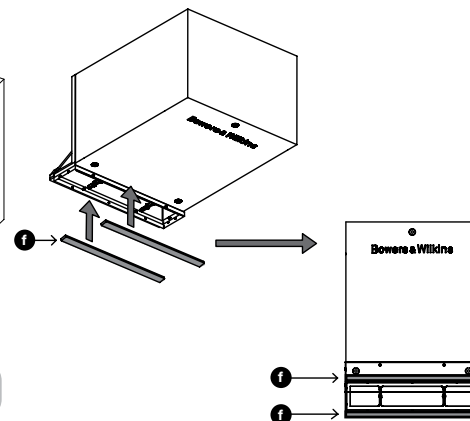


Figura 9

Levante a coluna para a poder assentar, como mostrado, nos quatro suportes em L. Se o espaçamento das vigas for grande demais para permitir aparafusar a coluna através dos suportes, um método de suporte personalizado terá de ser aplicado pelo instalador.

Alinhe o centro da grelha de abertura com as marcas nas vigas e alinhe-o em relação às paredes.

Fixe a posição da caixa, usando os parafusos de auto-aperto No.8 x 12mm (h), através dos suportes em L para a caixa (Figura 10).

A moldura da grelha ficará saliente em relação à face inferior das vigas.

Descarne as extremidades do cabo e ligue-as aos terminais de mola da caixa, observando a polaridade correcta.

Para evitar vibrações, prenda o cabo em excesso com as braçadeiras de cabo agarradas ao subwoofer (Figura 11).

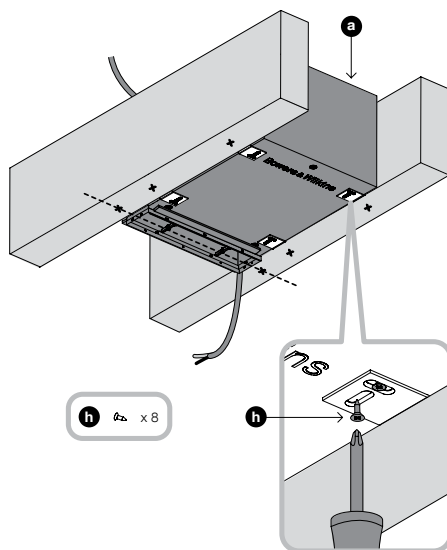


Figura 10

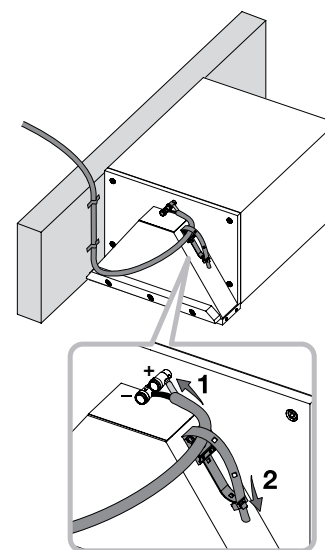


Figura 11

Use o template de corte (e) para marcar a abertura na placa de pladur. As seis saliências correspondem às dimensões externas do frontal da grelha e são fornecidas para indicar o espaço necessário. Não marque as saliências pela linha exterior, mas sim ao longo das linhas pontilhadas que as atravessam (Figura 12).

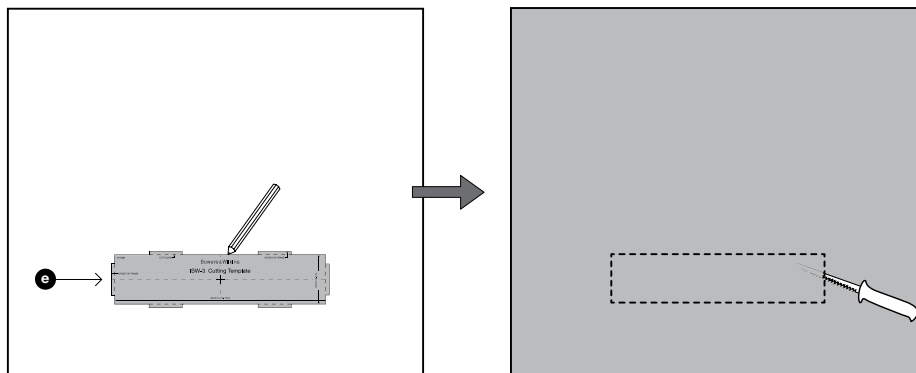


Figura 12

Neste ponto, pode aplicar mastique flexível à face da caixa do subwoofer para evitar vibrações contra o painel do tecto.

Aplique os painéis de revestimento às vigas do tecto (Figura 13) e o revestimento de gesso final.

Pinte o tecto nesta fase e, se desejar, pinte o molde da frente da grelha de saída (b) para combinar. Esta peça poderá levar todas as tintas normais de parede.

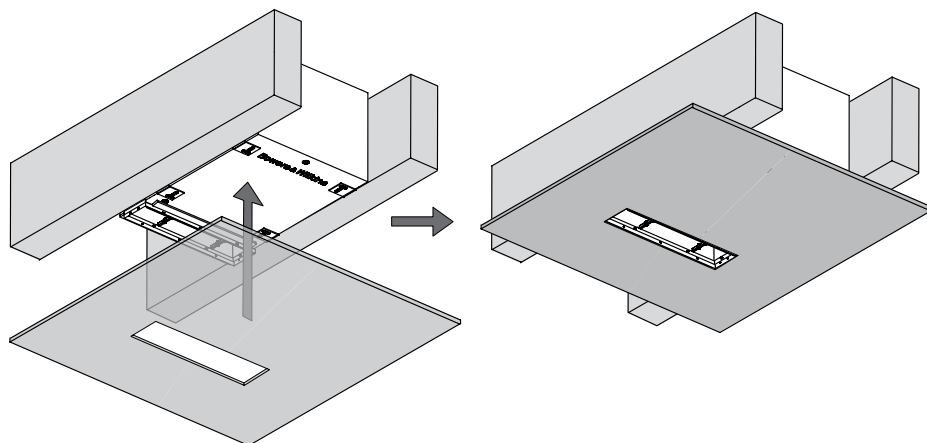


Figura 13

Anexe a grelha (c) à frente da abertura e fixe-a à moldura da grelha usando os dois parafusos M3 (i) através dos dois pilares. Não aperte demais. Deverá existir uma ligeira tensão de torção nos dois pilares da grelha de saída, mas em redor não deve existir torção ou o frontal não vai caber correctamente.

Encaixe o frontal (b) na grelha (c) (Figura 14).

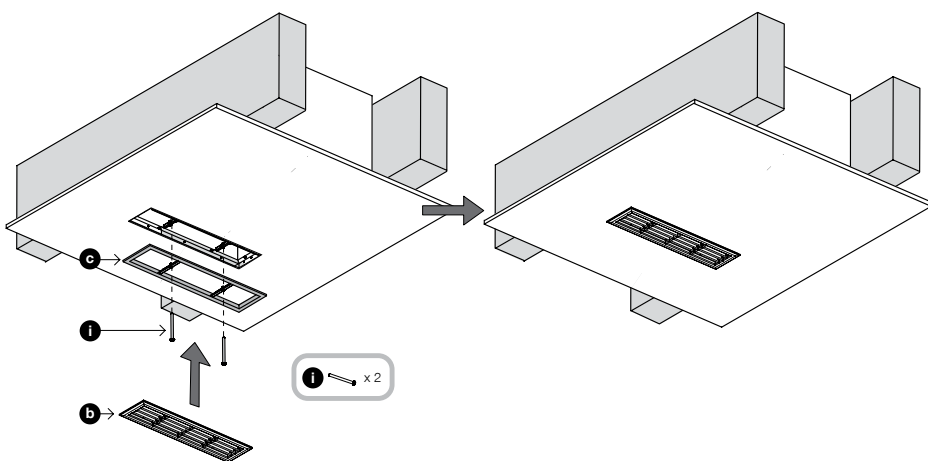


Figura 14

4 Instalação em parede

O subwoofer é profundo demais para caber num padrão nominal de espessura de 100 milímetros de parede (4 polegadas), mas podem ser montados em móveis personalizados ou armários que acomodem sua profundidade e que possuam pilares com 40cm (16in) de espaçamento ou mais.

Na maioria das situações, a grelha visível será obrigada a ficar na parte debaixo da parede, logo acima do rodapé. Nesse caso, a caixa deverá ser orientada com o capuz para a parte inferior.

Na face frontal dos pilares de cada lado do subwoofer, desenhe uma linha horizontal marcando em que local deverá ficar o frontal da grelha de saída (figura 15).

Passo o cabo de coluna de secção apropriada para o ponto de instalação. Fixe-o com pregos de modo a não poder vibrar, com o ponto de terminação final, perto da linha central marcada da grelha de saída. Deixe aproximadamente 30cm – 50cm (12in – 20e) livre no final (Figura 16).

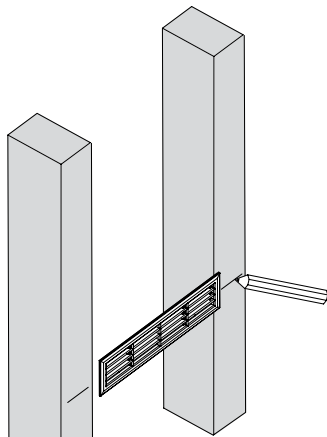


Figura 15

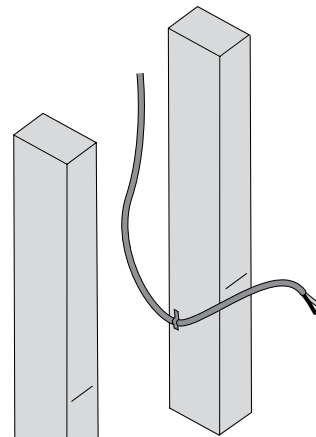


Figura 16

Aparafuse os quatro suportes em L (g) para os lados da caixa do subwoofer como mostrado, usando dois parafusos No.8 x 12mm (0.5in) (h) por suporte (Figura 17).

A posição vertical dos suportes não é crítica, mas certifique-se que estão alinhadas com a frente da caixa.

Não é essencial, mas é mais fácil de encaixar o subwoofer se o apoiar temporariamente por baixo, para trazer a grelha de saída para a altura correcta.

Deslize o subwoofer para a posição de montagem desejada (Figura 18).

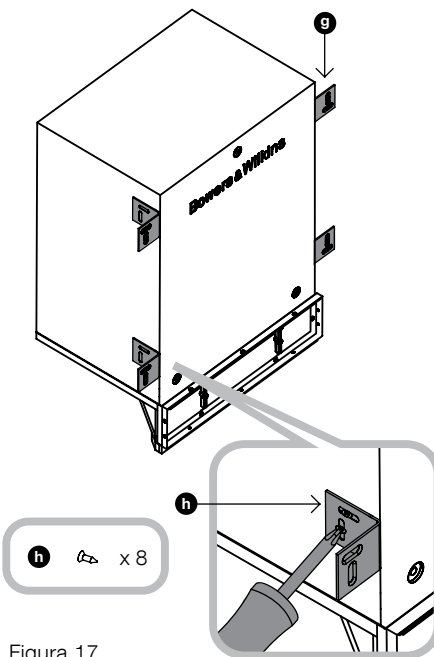


Figura 17

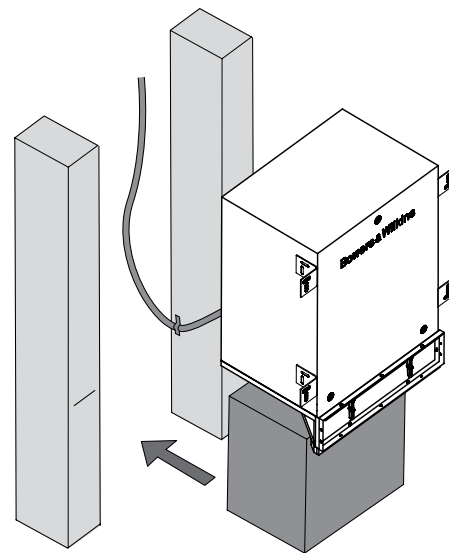


Figura 18

Marque o contorno dos suportes na frente dos pilares (Figura 19).

Em seguida, retire o subwoofer e desbaste entre as linhas de marcação, como mostrado a uma profundidade de 2 milímetros (0,08 in) para que os suportes não deformem o painel de pladur quando instalado (Figura 20).

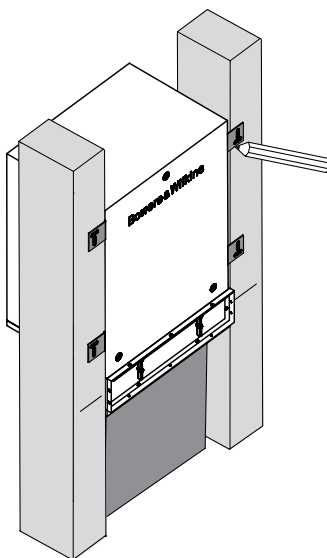


Figura 19

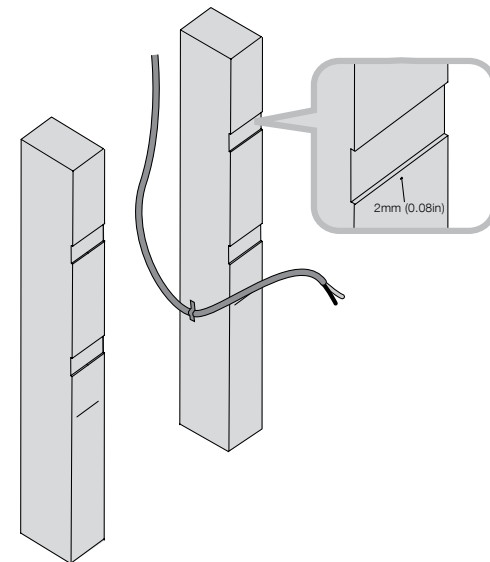


Figura 20

Aparafuse a barra de suporte (j) até o topo do capuz, como mostrado, com os três parafusos No.6 x 25mm (1 pol) (m) nos furos guia pré-perfurados (Figura 21).

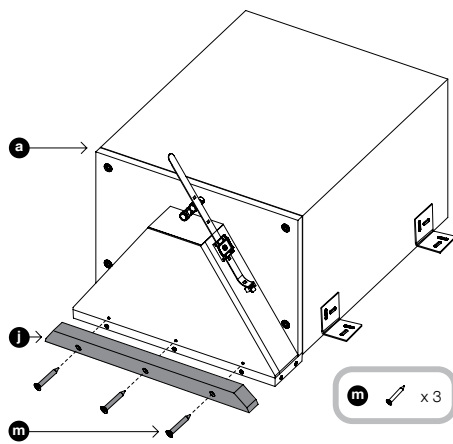


Figura 21

Retire o papel traseiro e aplique as duas tiras auto-adesivas de isolamento (f), uma para a barra de apoio e outra para a extremidade oposta da grelha de saída. As mesmas devem incidir sobre a placa de pladur para evitar vibrações (Figura 22).

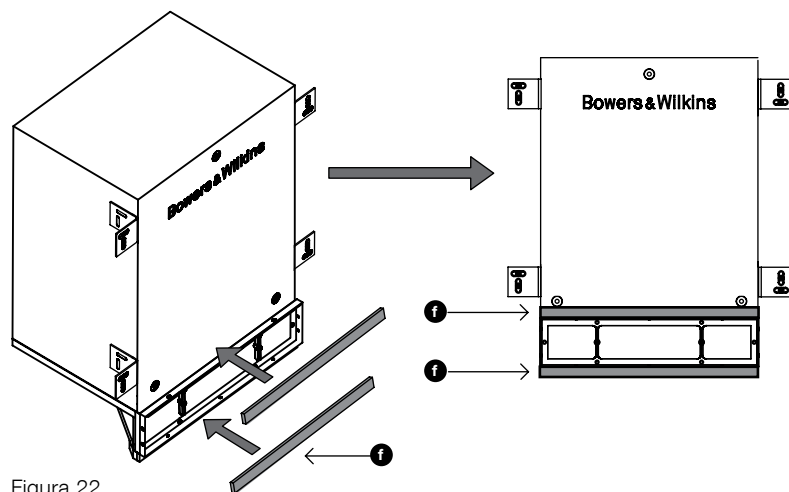


Figura 22

Coloque o subwoofer próximo da localização pretendida. Descarne as extremidades do cabo e ligue-as aos terminais de mola da caixa, observando a polaridade correcta. Para evitar vibrações, prenda o cabo em excesso com as braçadeiras de cabo agarradas ao capuz (Figura 23).

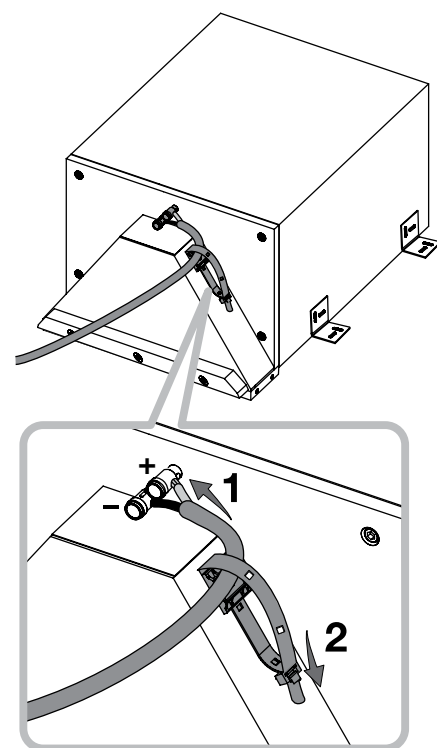


Figura 23

Usando um bloco de apoio, se necessário, coloque o subwoofer na posição, com os suportes de apoio assentes nos desníveis para os mesmos. Aparafuse os suportes aos pilares (parafusos não fornecidos) (Figura 24).

Quando seguro, pode remover o bloco de apoio temporário.

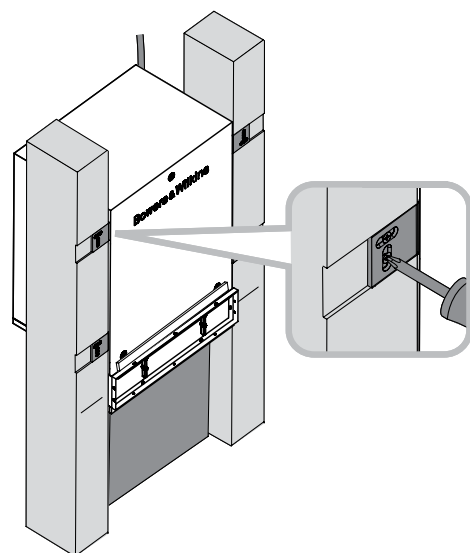


Figura 24

Use o template de corte (e) para marcar a abertura na placa de pladur. As seis saliências correspondem às dimensões externas do frontal da grelha e são fornecidas para indicar o espaço necessário. Não marque as saliências pela linha exterior, mas sim ao longo das linhas pontilhadas que as atravessam (Figura 25).

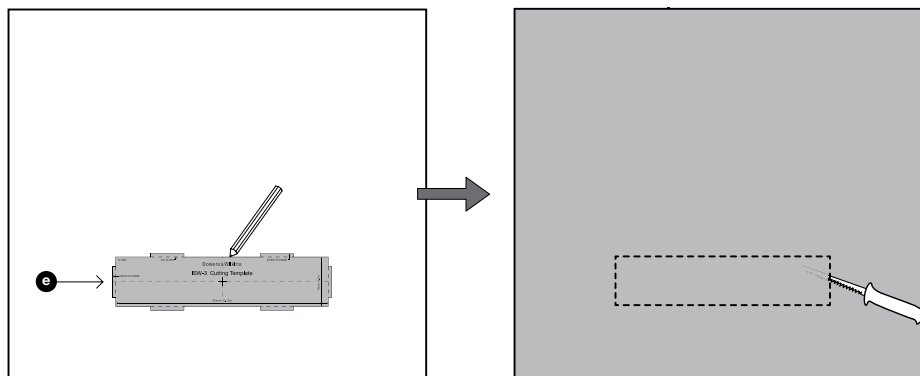


Figura 25

Neste ponto, pode aplicar mastique flexível à face da caixa do subwoofer para evitar vibrações contra o painel de pladur.

Aplique os painéis de revestimento às vigas (Figura 26) e o revestimento de gesso final.

Pinte a parede nesta fase e, se desejar, pinte o molde da frente da grelha de saída (b) para combinar. Esta peça poderá levar todas as tintas normais de parede.

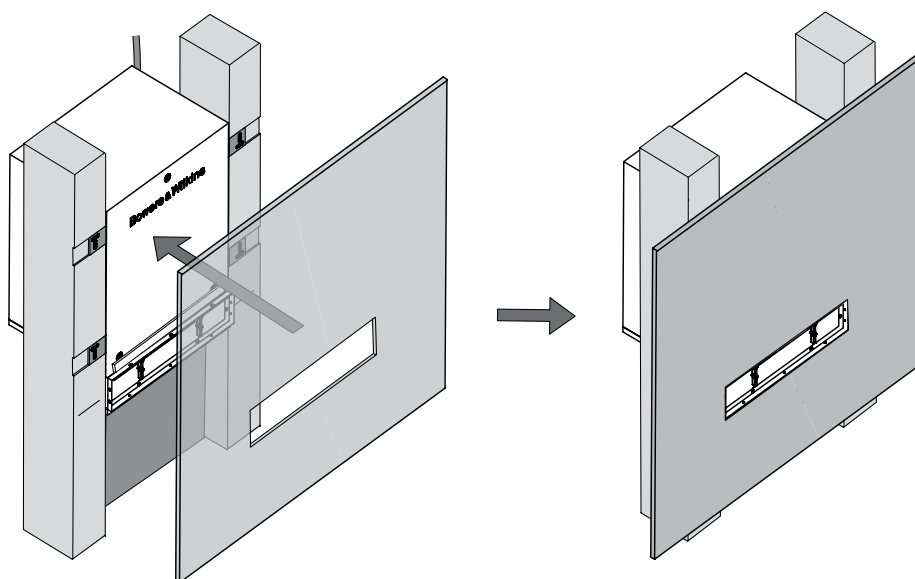


Figura 26

Anexe a grelha (c) à frente da abertura e fixe-a à moldura da grelha usando os dois parafusos M3 (i) através dos dois pilares. Não aperte demais. Deverá existir uma ligeira tensão de torção nos dois pilares da grelha de saída, mas em redor não deve existir torção ou o frontal não vai caber correctamente.

Encaixe o frontal (b) na grelha (c) (Figura 27).

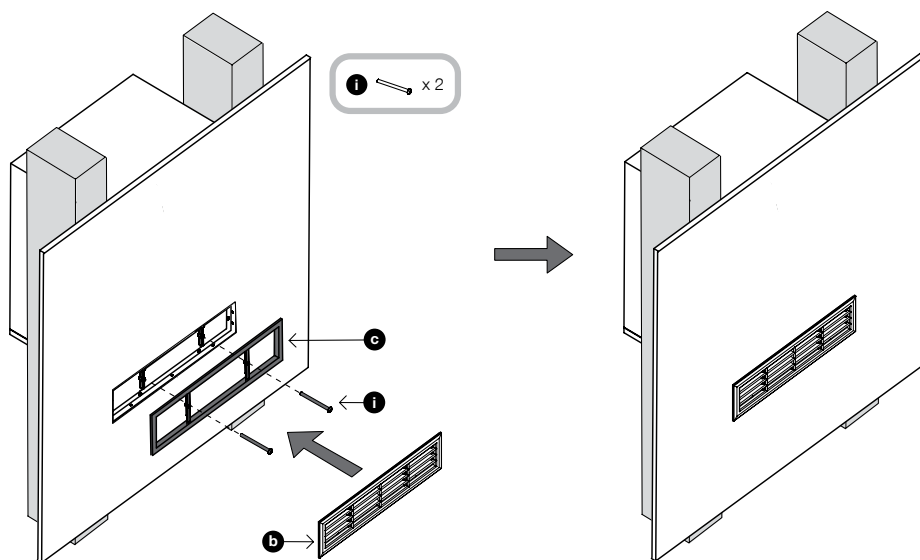


Figura 27

5 Instalação por baixo do chão

A coluna deverá caber entre vigas com um padrão de espaçamento de 40cm (16in) ou mais, de modo que a grelha de saída visível atravesse a distância entre elas. É necessário um espaço de 25cm (10in) ou mais por trás do topo das vigas.

Este produto não está recomendado se o chão estiver coberto por uma tapete grossa. Tapete de pelo raso ou tapete podem ser acomodados com cuidado.

Marque a linha central da posição desejada da grelha na face de topo das vigas de cada lado (Figura 28).

Passa o cabo de coluna de secção apropriada para o ponto de instalação. Fixe-o às vigas para não vibrar, com a terminação, perto da linha central da grelha de saída marcada perto da base da viga. Deixe aproximadamente 30cm – 50cm (12in – 20in) livre no final (Figura 29).

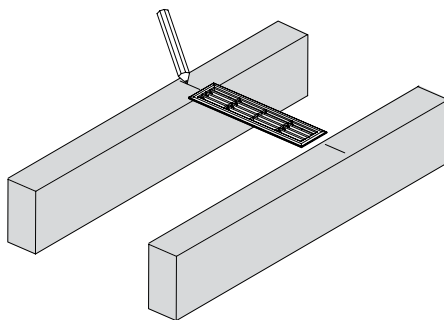


Figura 28

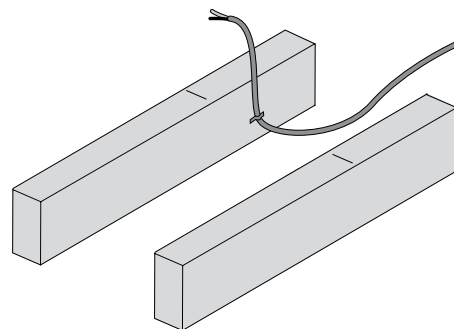


Figura 29

Aparafuse os quatro suportes aos lados da caixa do subwoofer como mostrado, usando dois parafusos No.8 x 12mm (0.5in) (h) por suporte. A posição lateral dos suportes não é crítica, mas certifique-se que estão alinhadas com o topo da superfície da caixa quando a saída do capuz fica virada para cima.

Deite a coluna entre os pilares, suportada pelos suportes que se sobrepõe aos mesmos. (Figura 31).

Se o espaçamento entre vigas for demasiado para permitir aparafusar através dos suportes às mesmas, terá de ser aplicado um método de suporte adaptado pelo instalador às suas necessidades.

Alinhe a grelha de saída com as marcas sobre as vigas, certificando-se que fica alinhado na parede e marque o contorno dos suportes nos pilares.

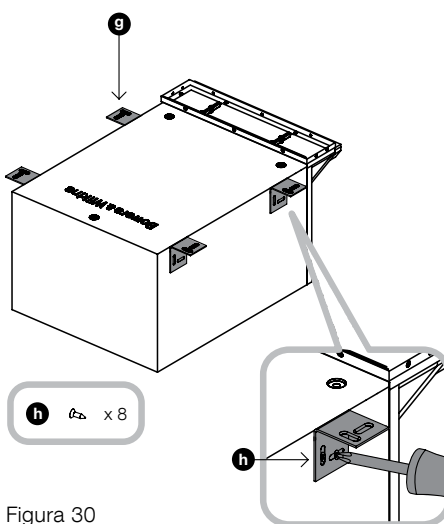


Figura 30

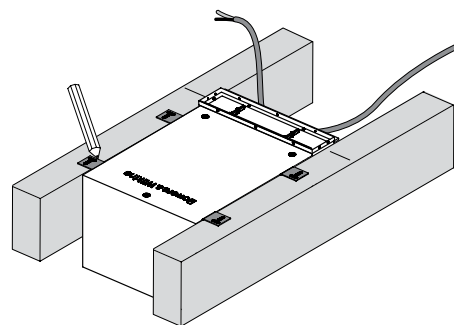


Figura 31

Remova o subwoofer e desbaste entre as linhas de marcação, como mostrado a uma profundidade de 2 milímetros (0,08 in) para acomodar a espessura dos suportes (Figura 32).

Aparafuse a barra de suporte (j) até o topo do capuz, como mostrado, com os três parafusos No.6 x 25mm (1 in) (m) nos furos guia pré-perfurados (Figura 33).

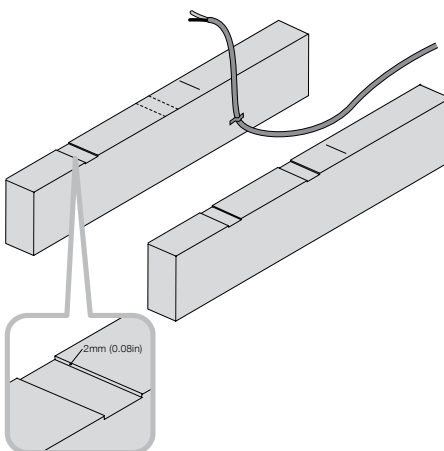


Figura 32

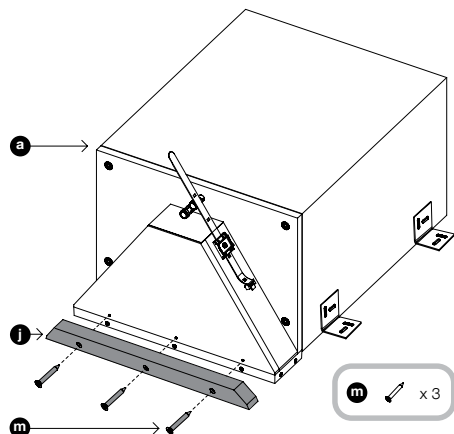


Figura 33

Retire o papel traseiro e aplique as duas tiras auto-adesivas de isolamento (f), uma para a barra de apoio e outra para a extremidade oposta da grelha de saída. As mesmas devem incidir sobre a placa de pladur para evitar vibrações (Figura 34).

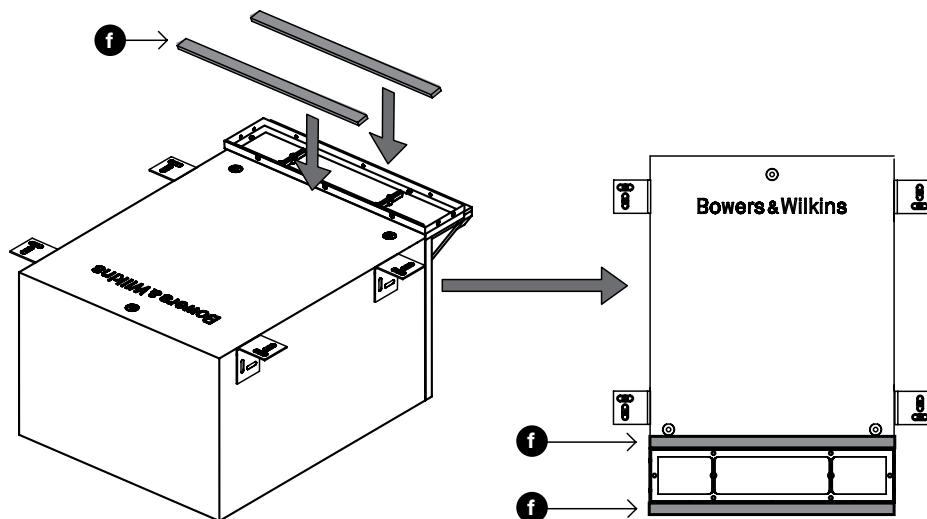


Figura 34

Coloque o subwoofer próximo da localização pretendida. Descarne as extremidades do cabo e ligue-as aos terminais de mola da caixa, observando a polaridade correcta. Depois prenda o cabo ao capuz usando a braçadeira para o efeito, para evitar vibrações (Figura 35).

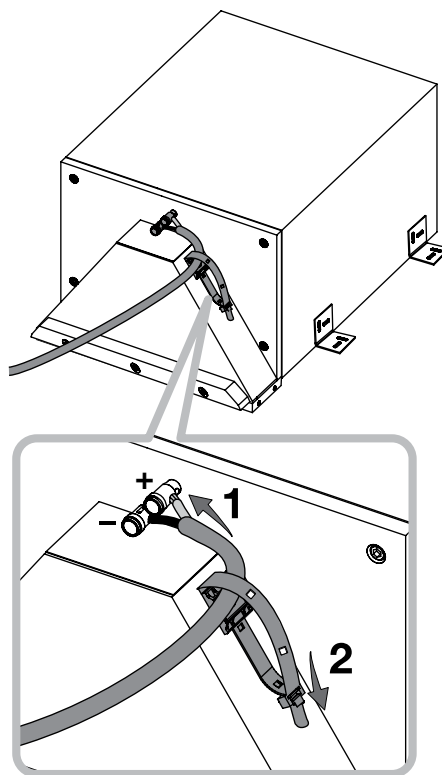


Figura 35

Coloque o subwoofer na posição, com os suportes de apoio assentes nos desníveis e segure-os aparafusando através dos mesmos (parafusos não fornecidos) (Figura 36).

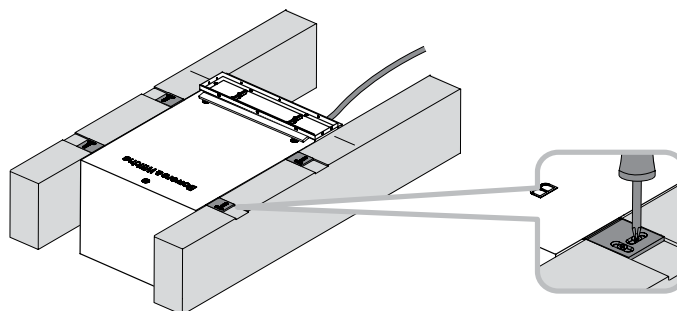


Figura 36

Se utilizar uma folha do piso, use o template de corte (e) para marcar a abertura na placa ou painel do chão. As seis saliências correspondem às dimensões externas do frontal da grelha e são fornecidas para indicar o espaço necessário. Não marque as saliências pela linha exterior, mas sim ao longo das linhas pontilhadas que as atravessam (Figura 37).

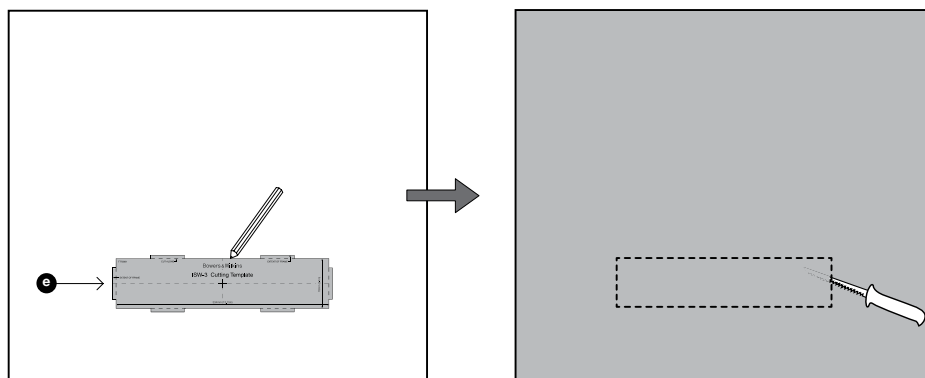


Figura 37

Neste ponto, pode aplicar mastique flexível à face da caixa do subwoofer para evitar vibrações contra a parte de baixo do chão, coloque a placa ou painel do chão com o corte da grelha de saída em posição.

Para pisos de soalho flutuante, coloque as placas de madeira em torno da moldura saliente da grelha de saída.

Se for o caso (ver o comentário no início desta secção), coloque o tapete e corte-o para coincidir com o buraco no soalho.

Se desejar, pinte a moldura da grelha de saída.

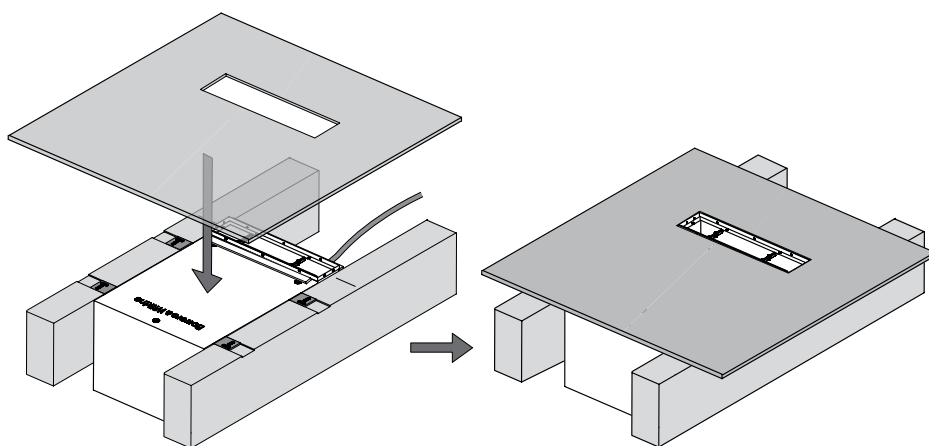


Figura 38

Anexe a grelha (c) à frente da abertura e fixe-a à moldura da grelha usando os dois parafusos M3 (i) através dos dois pilares. Não aperte demais. Deverá existir uma ligeira tensão de torção nos dois pilares da grelha de saída, mas em redor não deve existir torção ou o frontal não vai caber correctamente.

Encaixe o frontal (b) na grelha (c) (Figura 39).

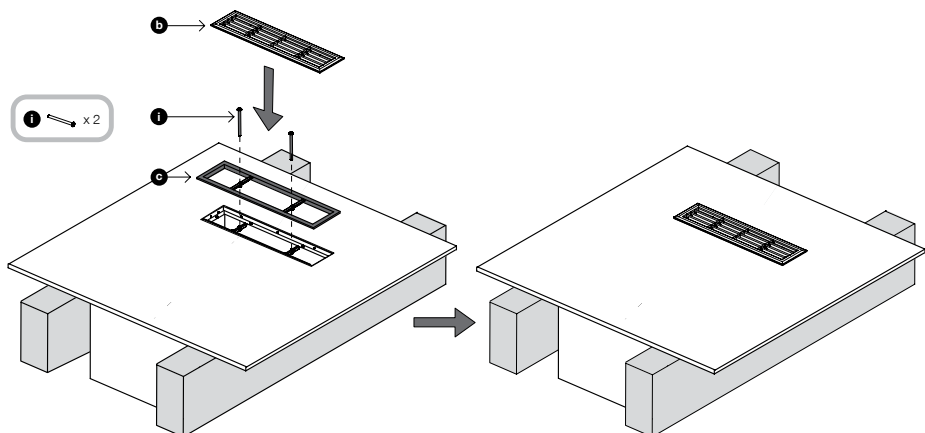


Figura 39

6 Instalação numa unidade de cozinha

O subwoofer vai descansar na prateleira inferior da unidade e ventilar através do painel de rodapé abaixo da porta.

Retire o papel traseiro e coloque-o nas faixas de junta (f) para a extensão do capuz, ao longo do rebordo da sua moldura.

Aparafuse a extensão do capuz (d) à moldura da grelha de saída, utilizando os dez parafusos No.4 x 10mm (i) nos furos guia pré-perfurados (Figura 40).

Existe um encaixe pré-montado na armação da grelha anexada ao capuz. Este deve ser comprimido na montagem da extensão e os furos guia não ficarão alinhados a menos que a junta seja devidamente comprimida.

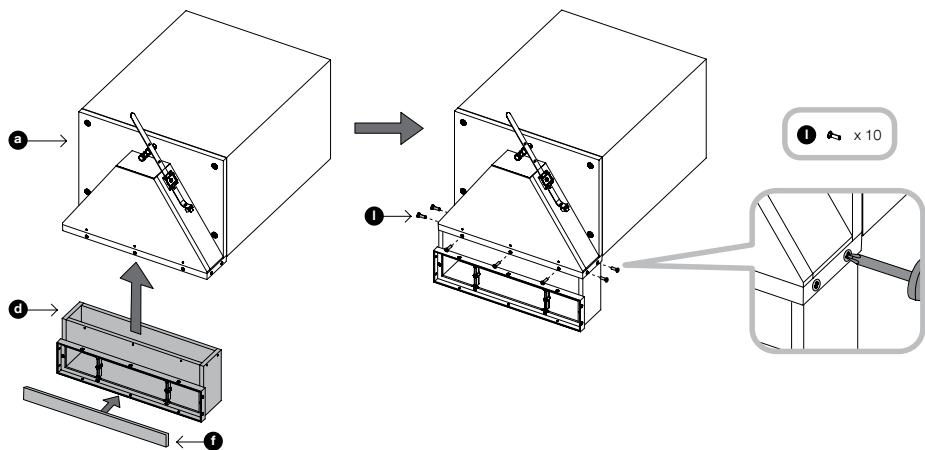



Figura 40

Assegure que as porcas de travamento são totalmente aparafusadas nas hastas roscadas dos pés de borracha (k) e aparafuse os três pés totalmente nas inserções de rosca da caixa do subwoofer (Figura 41).

 Faça uma marca no painel do rodapé 30mm (1.21n) abaixo da superfície da prateleira de baixo. A parte superior do recorte no painel não deve vir abaixo dessa linha (Figura 42).

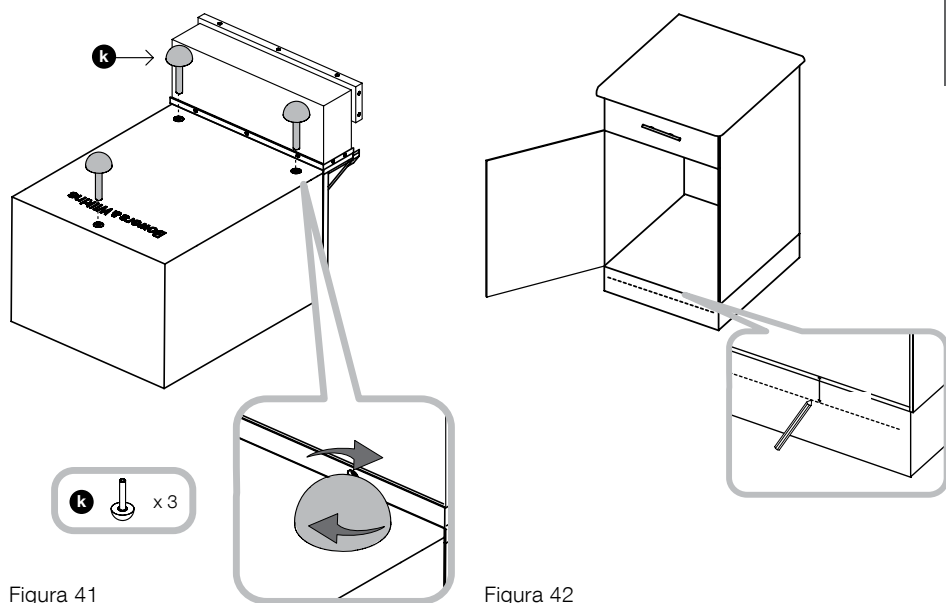



Figura 41

Figura 42

 Usando o template de corte fornecido, marque o recorte no painel do rodapé como desejado, assegurando que a parte superior do template alinha ou fica acima da marca e que está alinhado.

Corte o buraco no painel do rodapé e outro na prateleira inferior da unidade para libertar a extensão do capuz. A frente do buraco na prateleira deve ser nivelada com a parte de trás do painel do rodapé (Figura 43).

Passo o cabo de coluna de secção apropriada para o ponto de instalação.

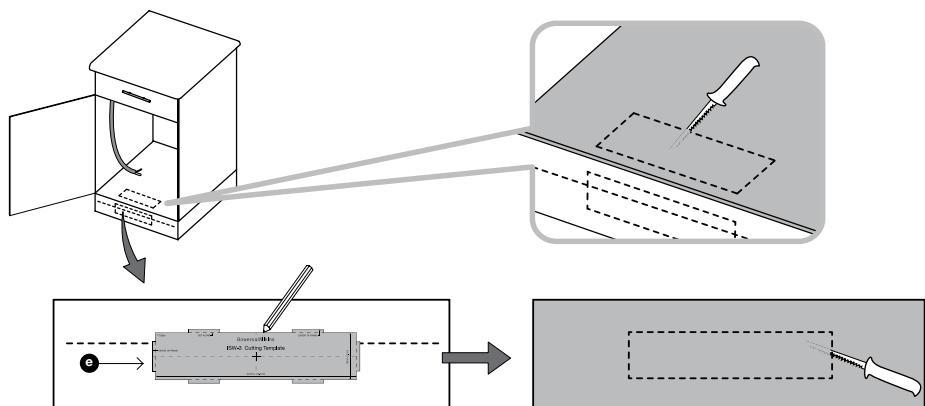


Figura 43

Coloque o subwoofer na prateleira inferior.
 Desaperte os pés conforme necessário para alinhar o orifício de extensão do capuz com o corte no painel do rodapé. Mantenha os pés fixos, aperte as porcas de segurança até à caixa do subwoofer para manter a posição (Figura 44).

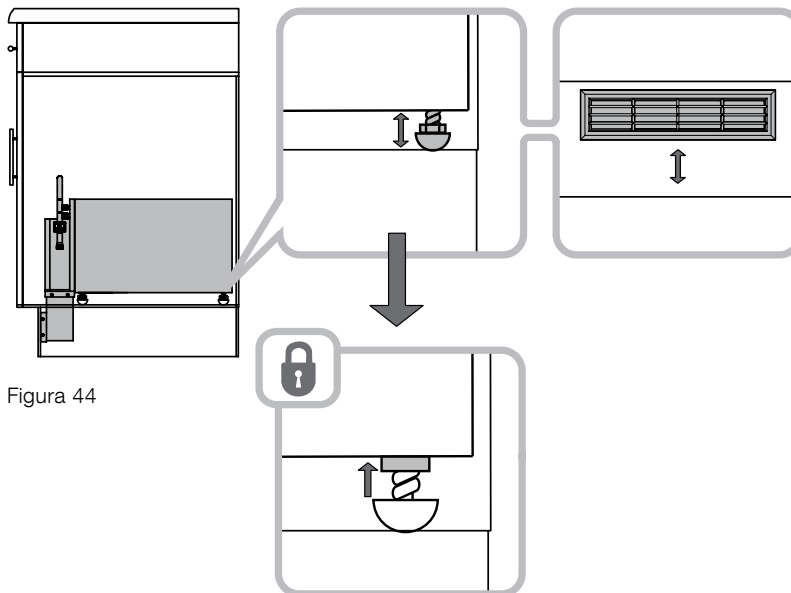


Figura 44

Descarne as extremidades do cabo e ligue-as aos terminais de mola, observando a polaridade correcta. Depois prenda o cabo ao capuz utilizando a braçadeira para evitar vibrações (Figura 23).

Se desejar, pinte a moldura da grelha de saída.

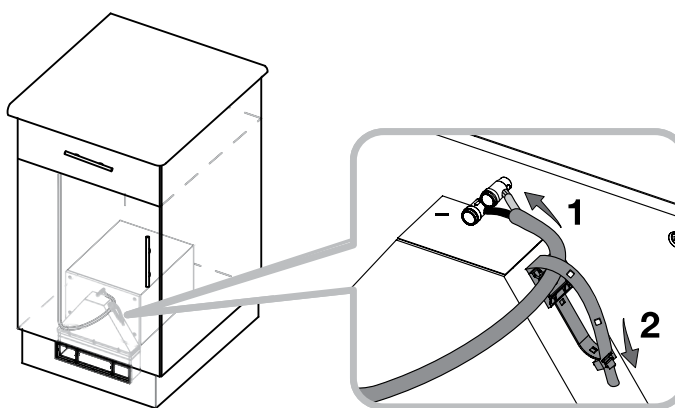


Figura 45

Anexe a grelha (c) à frente da abertura e fixe-a à moldura da grelha usando os dois parafusos M3 (i) através dos dois pilares. Não aperte demais. Deverá existir uma ligeira tensão de torção nos dois pilares da grelha de saída, mas em redor não deve existir torção ou o frontal não vai caber correctamente.

Encaixe o frontal (b) na grelha (c) (Figura 46).

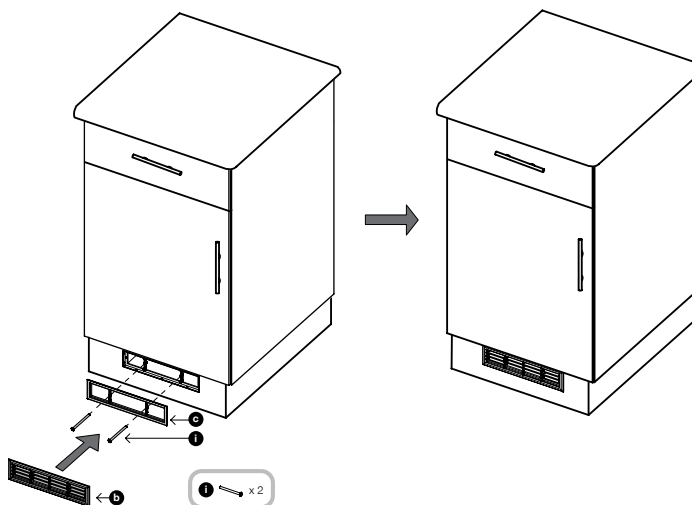


Figura 46

7 Rodagem

O desempenho da coluna vai mudar subtilmente durante o período de audição inicial. Se a coluna foi armazenada num ambiente frio, os compostos de amortecimento e os materiais da suspensão das unidades vão demorar algum tempo para recuperar as suas correctas propriedades mecânicas. As suspensões das unidades também vão soltar-se durante as primeiras horas de uso. O tempo necessário para a coluna alcançar o seu desempenho pretendido irá variar dependendo das condições de armazenamento anteriores e como a mesma é usada. Como guia, permita até uma semana para os efeitos de temperatura estabilizarem e 15 horas de utilização média para as partes mecânicas atingirem as características pretendidas.

No entanto, períodos mais longos de rodagem (tão longos como um mês) têm sido relatados e existe evidência que sugere que tal não tem que ver com a mudança na coluna mas mais a ver com o ouvinte, que se vai acostumando ao novo som.

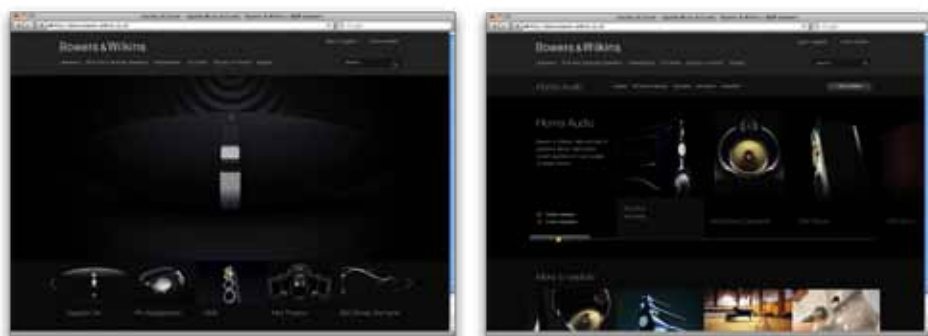
8 Manutenção

O subwoofer não deverá necessitar manutenção, para além da remoção e limpeza periódica da grelha de saída.

Se o subwoofer for montado sob o chão, periodicamente remova a grelha de saída e aspire a cavidade do capuz para remover qualquer sujidade que possa ter caído para essa zona. (Figura 35).

Benvenuto e grazie per aver scelto il subwoofer Bowers & Wilkins ISW-3.

Quando John Bowers fondò la nostra società, era convinto che design attraente, capacità d'innovare e tecnologie all'avanguardia fossero i fattori vincenti per la riproduzione audio domestica. Le sue idee sono ancor oggi condivise da noi tutti e fonte d'ispirazione per ogni nuovo modello che progettiamo.



1 Contenuto della confezione

Controllare che nella scatola siano presenti i seguenti componenti indicati in Figura 1.

- a. Subwoofer
- b. Griglia (bianca)
- c. Telaio della griglia (nero)
- d. Estensione angolare del condotto
- e. Dima di foratura
- f. Guarnizioni
- g. Staffe di supporto ad angolo
- h. Viti autofilettanti No.8 x 12 mm
- i. Viti a testa bombata M3 x 35 mm
- j. Barra di supporto
- k. Piedini in gomma e dadi di serraggio
- l. Viti autofilettanti a testa svasata No.4 x 10 mm
- m. Viti autofilettanti a testa svasata No.6 x 25 mm

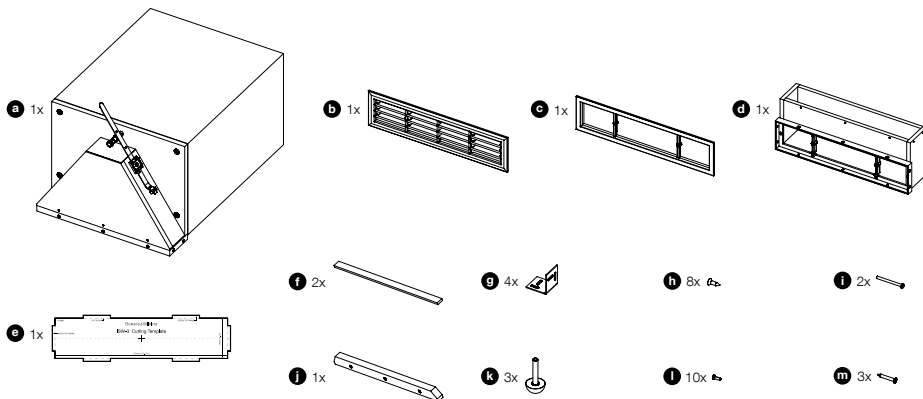


Figura 1

In aggiunta viene fornita una guida rapida d'utilizzo ed un documento sulla garanzia. Questo manuale fornisce maggiori dettagli sull'installazione e l'uso rispetto alla guida rapida.

Nel caso manchino degli elementi o appaiano danneggiati, rivolgersi al Rivenditore

2 Applicazioni

Sono possibili quattro differenti tipi di installazione, ognuna descritta in una specifica Sezione del manuale:

A soffitto – solo per nuove costruzioni a secco (Figura 2)
Procedere alla Sezione 3.

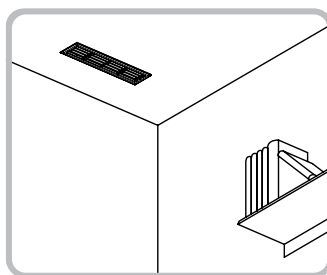


Figura 2

A parete – solo per nuove costruzioni a secco (Figura 3)
Procedere alla Sezione 4.

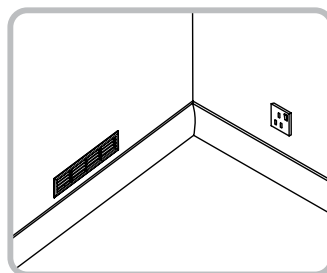


Figura 3

Sotto al pavimento (Figura 4)
Procedere alla Sezione 5.

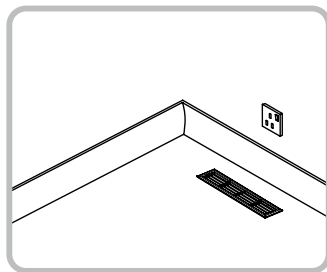


Figura 4

In un mobile della cucina (Figura 5)
Procedere alla Sezione 6.

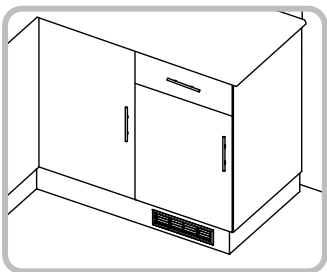


Figura 5

3 Installazione a soffitto

Il subwoofer si inserisce fra le travi della struttura portante di un controsoffitto in cartongesso distanti tra loro 40 cm o più, così da poter ospitare la griglia a vista. È necessario disporre di almeno 25 cm di spazio dietro il lato inferiore delle travi per incassare il mobile dell'altoparlante.

Segnare la linea centrale della griglia nella posizione desiderata sul lato inferiore di entrambe le travi. Fare altri segni sulle due travi per le staffe di supporto del mobile a circa 75 mm e 380 mm dalla linea centrale precedentemente tracciata (Figura 6).

Fissare con viti (non fornite) le quattro staffe ad L (g) all'interno delle travi come indicato. Assicurarsi che rimangano a filo con il lato inferiore delle travi.

Far passare un cavo per diffusori di sezione adeguata alla lunghezza (maggiore la lunghezza, maggiore la sezione) verso il punto dove verrà a trovarsi la griglia. Fissarlo alla trave in modo che non possa vibrare lasciando circa 30 – 50 cm di cavo libero alla fine (Figura 7).

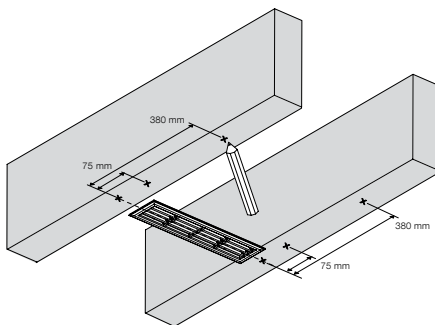


Figura 6

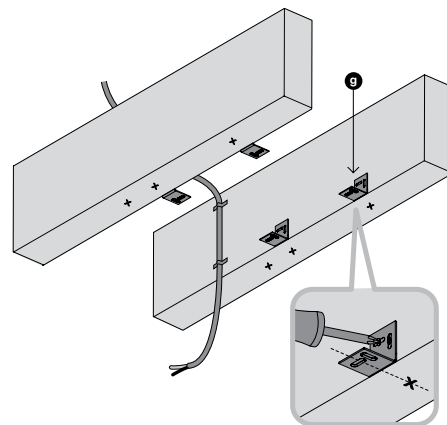


Figura 7

Fissare la barra di supporto (j) al condotto d'uscita con le tre viti autofilettanti a testa svasata No.6 x 25 mm (m) inserendole nei fori d'invito presenti (Figura 8).

Togliere la carta protettiva sul retro ed applicare le due guarnizioni adesive (f), una sulla barra di supporto ed una sul mobile, in prossimità del telaio della cornice. Le guarnizioni verranno a trovarsi a contatto del pannello in cartongesso per evitare rumori indesiderati (Figura 9).

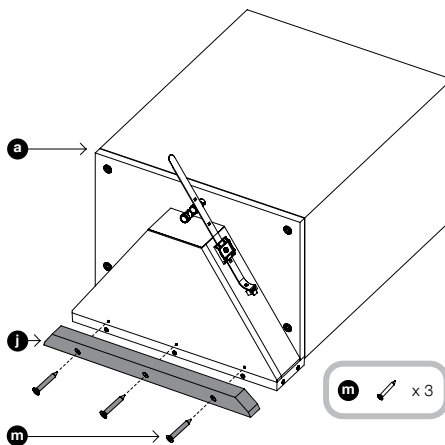


Figura 8

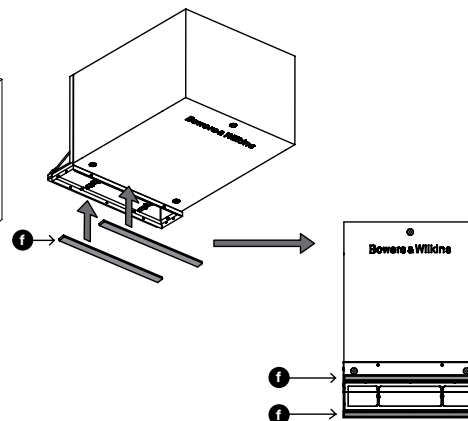


Figura 9

Sollevarlo il diffusore e posizionarlo sulle quattro staffe ad L come indicato. Se la spaziatura delle travi fosse troppo grande per consentire di fissarlo con le viti alle staffe, è necessario prevedere una soluzione adatta allo specifico caso.

Allineare il centro dell'apertura del condotto del diffusore ai segni sulle travi corrispondenti alla posizione della griglia assicurandosi anche che il mobile risulti parallelo alle pareti laterali.

Fissare il mobile alle staffe ad L utilizzando le otto viti autofilettanti No. 8 x 12 mm (h) (Figura 10).

Il telaio della griglia sporrà rispetto alla superficie inferiore delle travi per inserirsi nel pannello in cartongesso.

Spellare le estremità del cavo e collegarle ai terminali a molla del subwoofer osservando la corretta polarità.

Per evitare vibrazioni, fissare il cavo in eccesso tramite la fascetta presente in prossimità dei terminali (Figura 11).

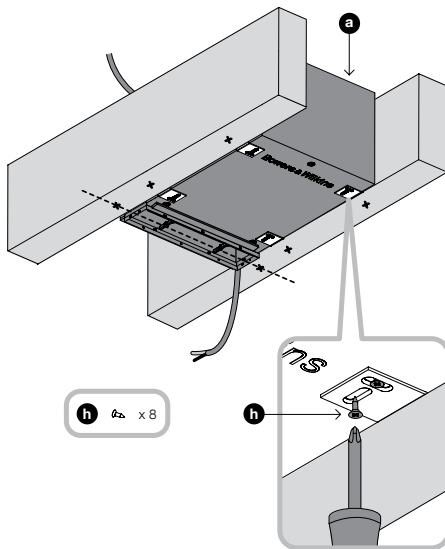


Figura 10

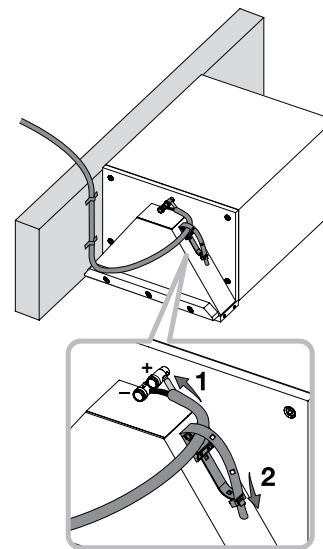


Figura 11

Utilizzare la dima di foratura (e) per segnare l'apertura sul pannello in cartongesso. Le sei sporgenze corrispondono alle dimensioni esterne della griglia a vista e sono riportate per indicare lo spazio occupato da essa. Ignorare i contorni delle sporgenze e disegnare un perfetto rettangolo. Con un utensile adatto praticare il foro sul pannello (Figura 12).

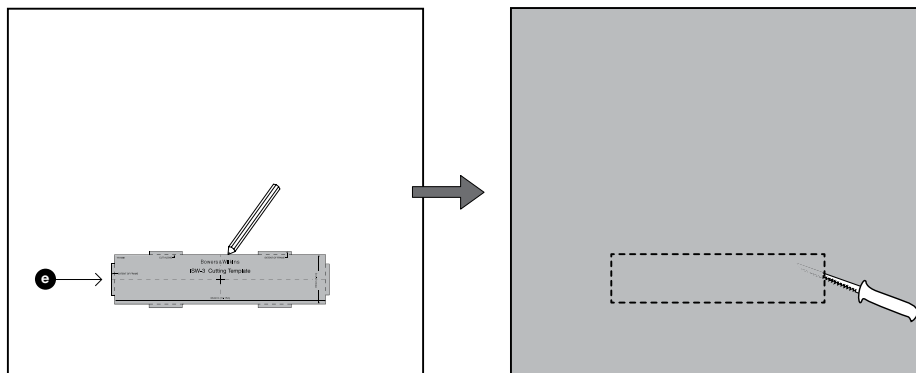


Figura 12

A questo punto è possibile applicare del sigillante morbido sul lato inferiore del mobile del subwoofer per prevenire vibrazioni contro il pannello del soffitto.

Installare i pannelli in cartongesso (Figura 13) e procedere con le stuccature dei giunti e le altre operazioni di finitura.

Tinteggiare il soffitto e, se desiderato, verniciare la griglia esterna (b) nell'identico colore utilizzando la stessa pittura murale.

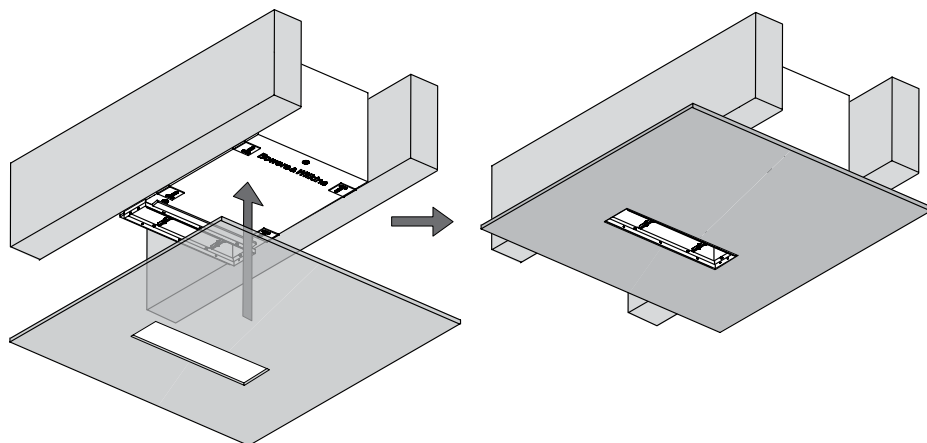


Figura 13

Fissare il telaio della griglia (c) all'apertura del condotto utilizzando le due viti a testa bombata M3 x 35 mm (i) inserite nei fori previsti nelle due sbarrette di rinforzo mediane. Non stringere eccessivamente le viti. È possibile che le due sbarrette mediane flettano leggermente, ma la cornice del telaio non deve subire deformazioni altrimenti la griglia non si aggancerà in modo corretto.

Agganciare la griglia (b) al telaio (c) (Figura 14).

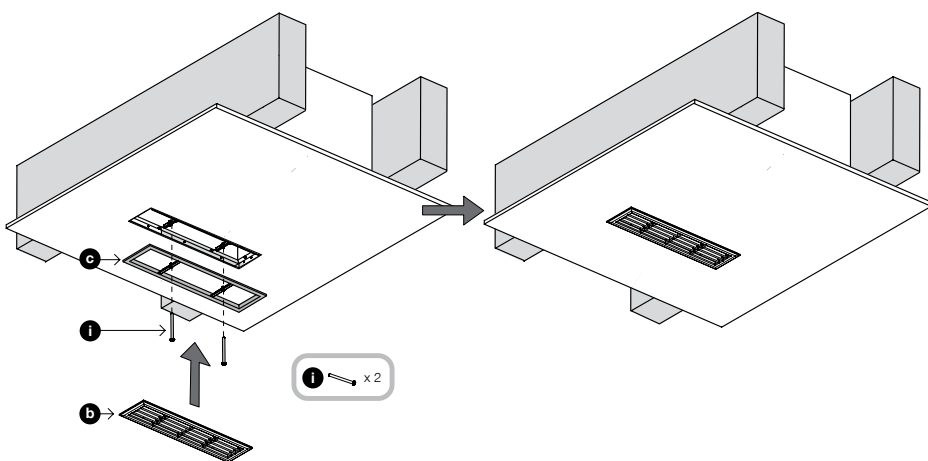


Figura 14

4 Installazione a parete

Il mobile del subwoofer è troppo profondo per adattarsi allo spessore di una parete standard da 100 mm, ma può essere installato in opportune sporgenze create appositamente oppure anche all'interno di mobili su misura o armadi dotati di montanti con interasse standard di 40 cm o maggiore.

Nella maggior parte dei casi, la griglia a vista dovrà trovarsi nella parte inferiore della parete, appena sopra il battiscopa. Il mobile quindi verrà installato con il condotto d'uscita orientato verso il basso.

Segnare la linea centrale della griglia nella posizione desiderata sul lato anteriore di ciascuno dei montanti ai lati del subwoofer (Figura 15).

Far passare un cavo per diffusori di sezione adeguata alla lunghezza (maggiore la lunghezza, maggiore la sezione) verso il punto dove verrà a trovarsi la griglia. Fissarlo al montante in modo che non possa vibrare lasciando circa 30 – 50 cm di cavo libero alla fine (Figura 16).

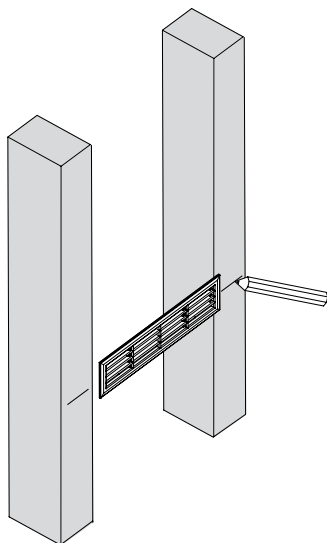


Figura 15

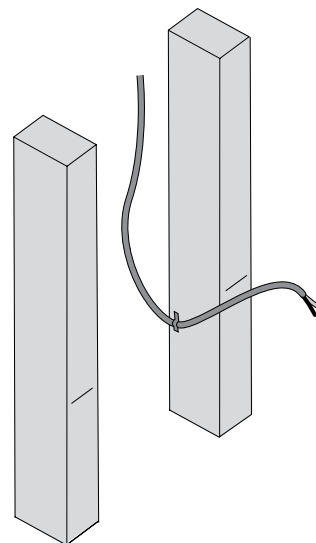


Figura 16

Avvitare le quattro staffe ad L (g) ai lati del mobile del subwoofer come indicato tramite due viti autofilettanti No.8 x 12 mm (h) per ciascuna staffa. (Figura 17)

La posizione verticale delle staffe non è critica, ma è necessario assicurarsi che siano a filo con la parte anteriore del mobile.

Non è essenziale, ma è più facile posizionare il subwoofer supportandolo temporaneamente sotto il condotto d'uscita fino a portarlo alla corretta altezza.

Collocare il subwoofer nella posizione desiderata. (Figura 18).

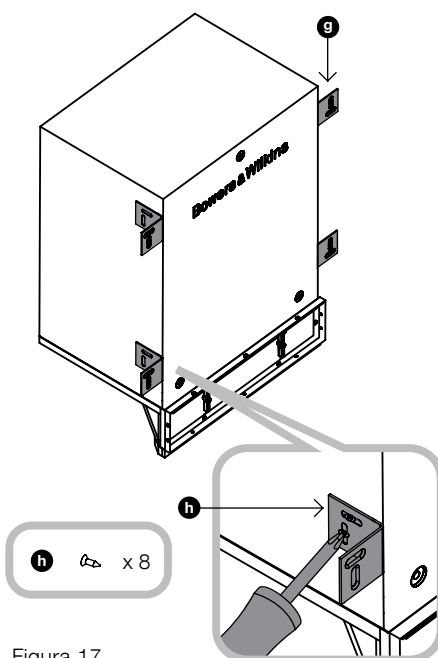


Figura 17

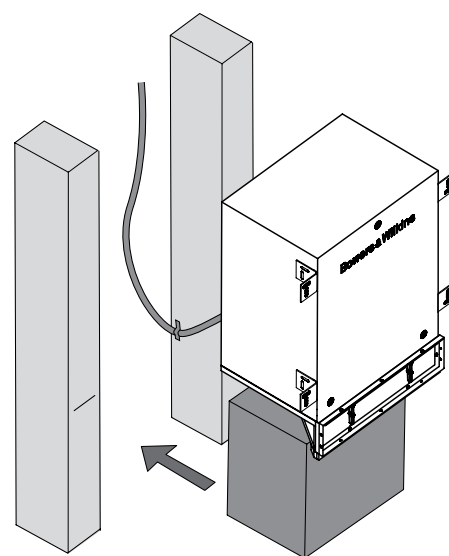


Figura 18

Segnare il contorno delle staffe sul lato frontale dei montanti. (Figura 19)

Rimuovere quindi il subwoofer e realizzare degli incavi profondi 2 mm per le staffe come indicato. È necessario infatti che non sporgano dai montanti per evitare antiestetici rigonfiamenti una volta installato il pannello in cartongesso (Figura 20).

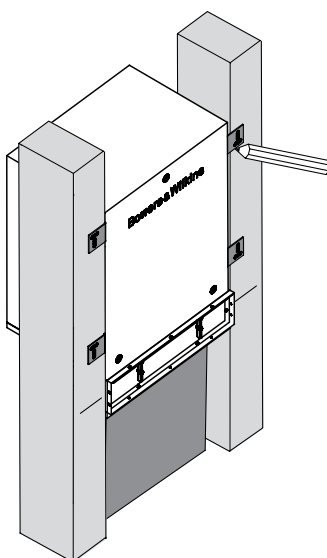


Figura 19

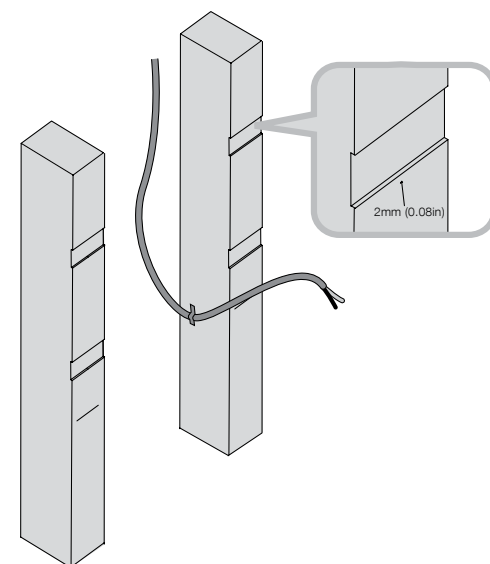


Figura 20

Fissare la barra di supporto (j) al condotto d'uscita con le tre viti autofilettanti a testa svasata No.6 x 25mm (m) inserendole nei fori d'invito presenti (Figura 21).

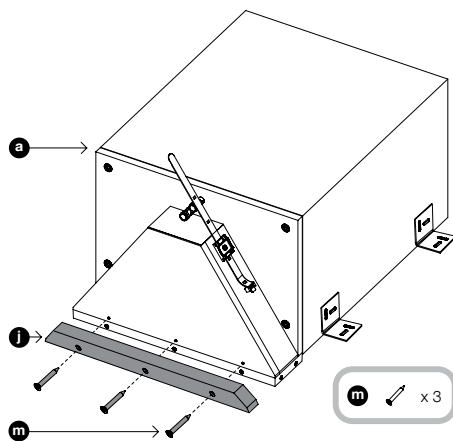


Figura 21

Togliere la carta protettiva sul retro ed applicare le due guarnizioni adesive (f), una sulla barra di supporto ed una sul mobile, in prossimità del telaio della cornice. Le guarnizioni verranno a trovarsi a contatto del pannello in cartongesso per evitare rumori indesiderati (Figura 22).

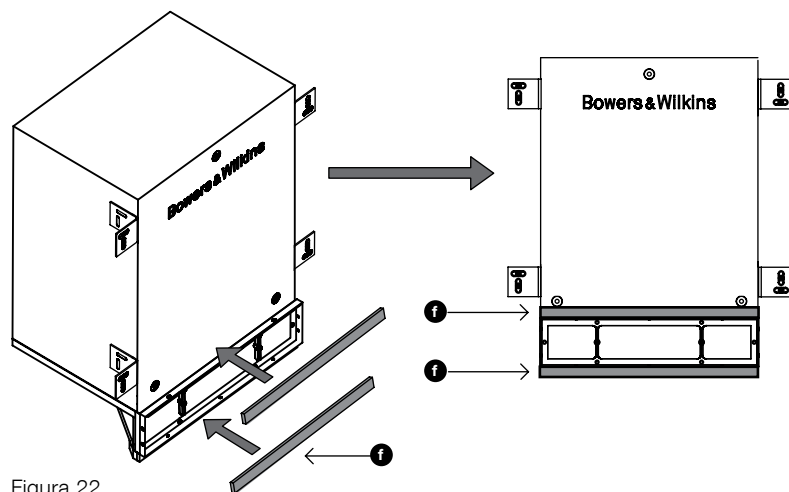


Figura 22

Portare il subwoofer nella posizione prevista. Spellare le estremità del cavo e collegarle ai terminali a molla sul mobile osservando la corretta polarità. Quindi fissare il cavo in eccesso tramite la fascetta presente in prossimità dei terminali per evitare vibrazioni (Figura 23).

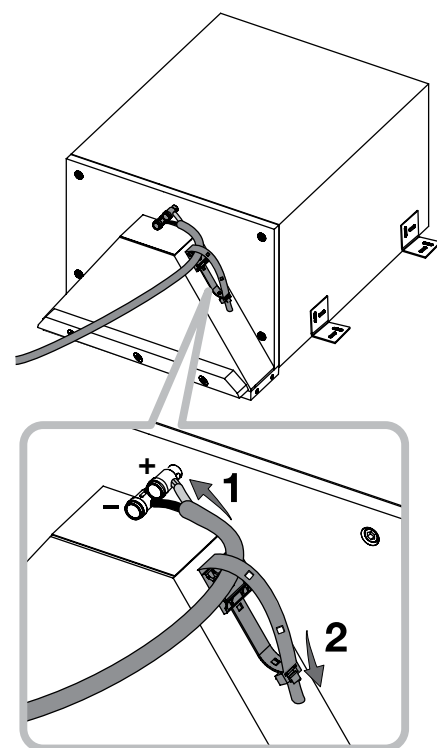


Figura 23

Utilizzare, se necessario, un supporto per sorreggere il subwoofer nella posizione prevista, con le staffe alloggiare negli incavi predisposti in precedenza. Avvitare le staffe ai montanti (viti non in dotazione) (Figura 24).

Una volta fissato il mobile in maniera stabile, è possibile rimuovere il supporto.

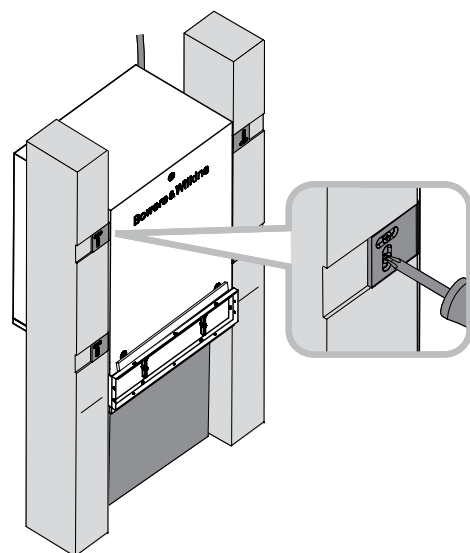


Figura 24

Utilizzare la dima di foratura (e) per segnare l'apertura sul pannello in cartongesso. Le sei sporgenze corrispondono alle dimensioni esterne della griglia a vista e sono riportate per indicare lo spazio occupato da essa. Ignorare i contorni delle sporgenze e disegnare un perfetto rettangolo. Con un utensile adatto praticare il foro sul pannello (Figura 25).

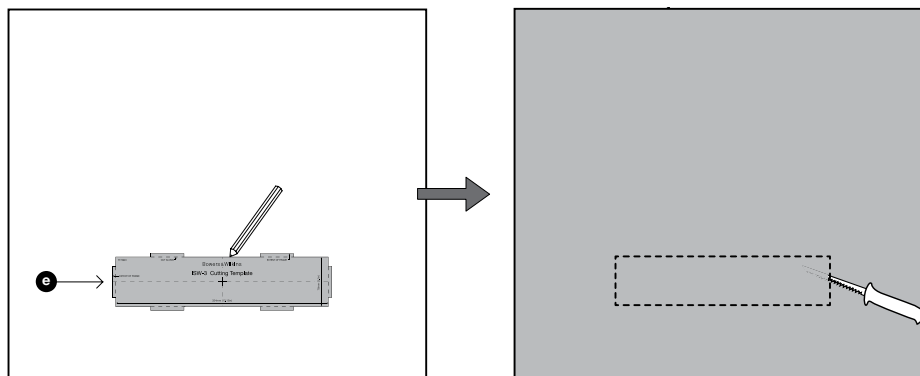


Figura 25

A questo punto è possibile applicare del sigillante morbido sul lato frontale del mobile del subwoofer per prevenire vibrazioni contro il pannello della parete.

Installare i pannelli in cartongesso (Figura 26) e procedere con le stuccature dei giunti e le altre operazioni di finitura.

Tinteggiare la parete e, se desiderato, verniciare la griglia esterna (b) nell'identico colore utilizzando la stessa pittura murale.

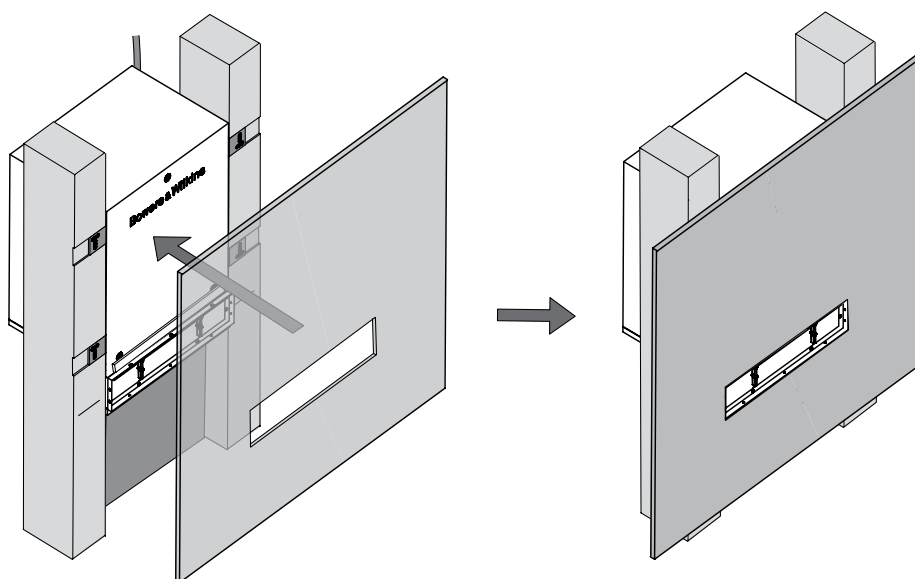


Figura 26

Fissare il telaio della griglia (c) all'apertura del condotto utilizzando le due viti a testa bombata M3 x 35 mm (i) inserite nei fori previsti nelle due sbarrette di rinforzo mediane. Non stringere eccessivamente le viti. È possibile che le due sbarrette mediane flettano leggermente, ma la cornice del telaio non deve subire deformazioni altrimenti la griglia non si aggancerà in modo corretto.

Agganciare la griglia (b) al telaio (c) (Figura 27).

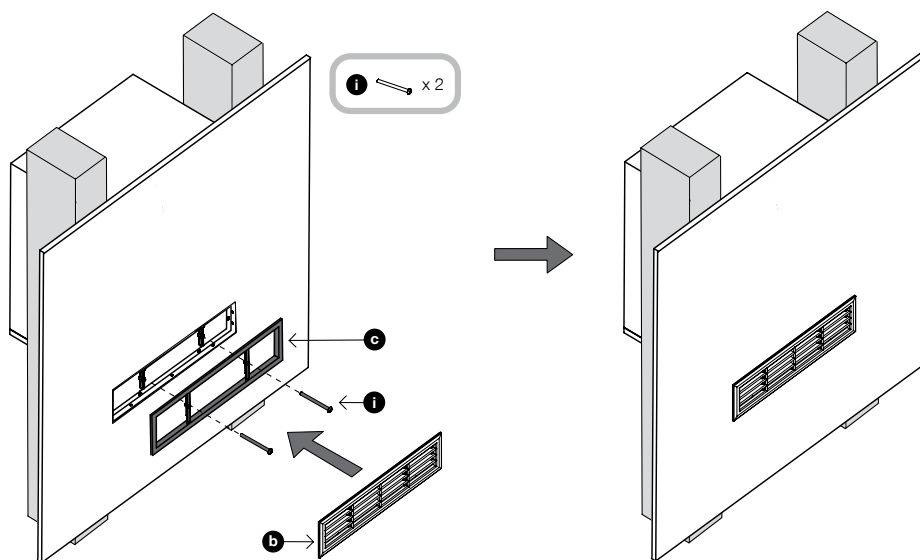


Figura 27

5 Installazione sotto al pavimento

Il subwoofer si inserisce fra le travi della struttura portante di un pavimento sopraelevato distanti tra loro 40 cm o più, così da poter ospitare la griglia a vista. È necessario disporre di almeno 25 cm di spazio sotto il lato superiore delle travi per incassare il mobile dell'altoparlante.

Questa posizione non è consigliata se si intende ricoprire il pavimento con tappeti spessi o moquette. È tuttavia possibile utilizzare con una certa cura rivestimenti molto sottili e rasati del tipo sovente venduto sotto forma di riquadri di dimensioni standard.

Segnare la linea centrale della griglia a vista nella posizione desiderata sul lato superiore di ciascuna delle travi ai lati del subwoofer (Figura 28).

Far passare un cavo per diffusori di sezione adeguata alla lunghezza (maggiore la lunghezza, maggiore la sezione) verso il punto dove verrà a trovarsi la griglia. Fissarlo alla trave in modo che non possa vibrare lasciando circa 30 – 50 cm di cavo libero alla fine (Figura 29).

Avvitare le quattro staffe ad L (g) ai lati del mobile del subwoofer come indicato tramite due viti autofilettanti No.8 x 12 mm (h) per ciascuna staffa. La posizione laterale delle staffe non è critica, ma è necessario assicurarsi che siano a filo con la parte superiore del mobile.

Disporre il subwoofer tra le travi sostenute dalle staffe di fissaggio (Figura 31).

Se la spaziatura delle travi fosse troppo grande per consentire di fissare le staffe tramite viti, è necessario prevedere una soluzione adatta allo specifico caso.

Allineare il centro dell'apertura del condotto del diffusore ai segni sulle travi corrispondenti alla posizione della griglia assicurandosi anche che il mobile risulti parallelo alle pareti laterali. Segnare quindi il contorno delle staffe sulle travi.

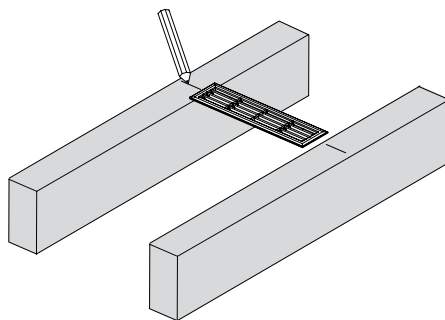


Figura 28

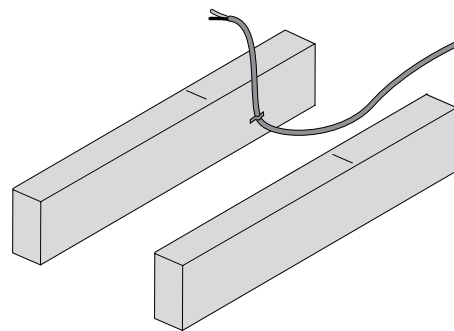


Figura 29

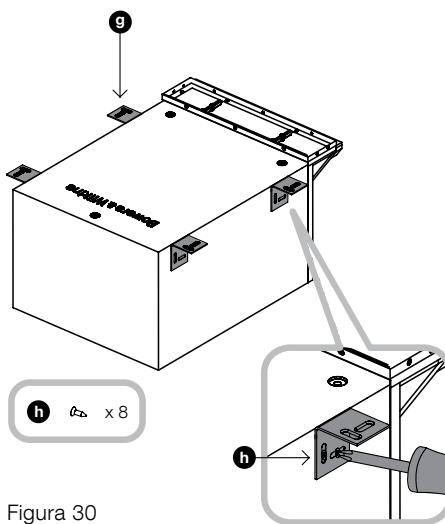


Figura 30

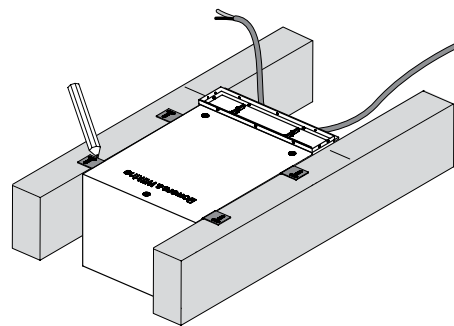


Figura 31

Rimuovere quindi il subwoofer e realizzare degli incavi profondi 2 mm per le staffe come indicato al fine di evitare che sporgano dalle travi. (Figura 32).

Fissare la barra di supporto (j) al condotto d'uscita con le tre viti autofilettanti a testa svasata No.6 x 25 mm (m) inserendole nei fori d'invito presenti (Figura 33).

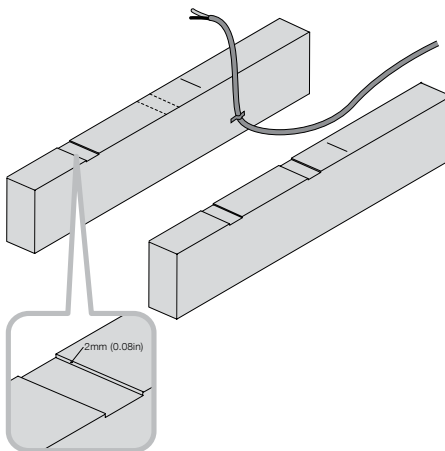


Figura 32

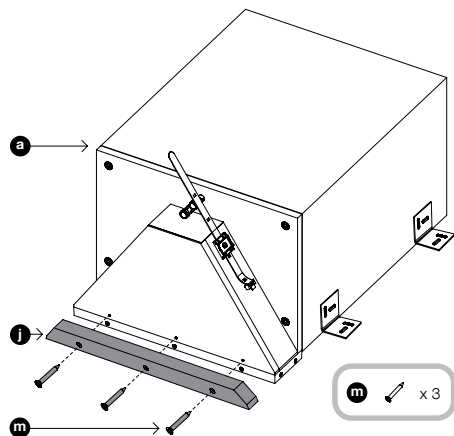


Figura 33

Togliere la carta protettiva sul retro ed applicare le due guarnizioni adesive (f), una sulla barra di supporto ed una sul mobile, in prossimità del telaio della cornice. Le guarnizioni verranno a trovarsi a contatto del pavimento per evitare rumori indesiderati (Figura 34).

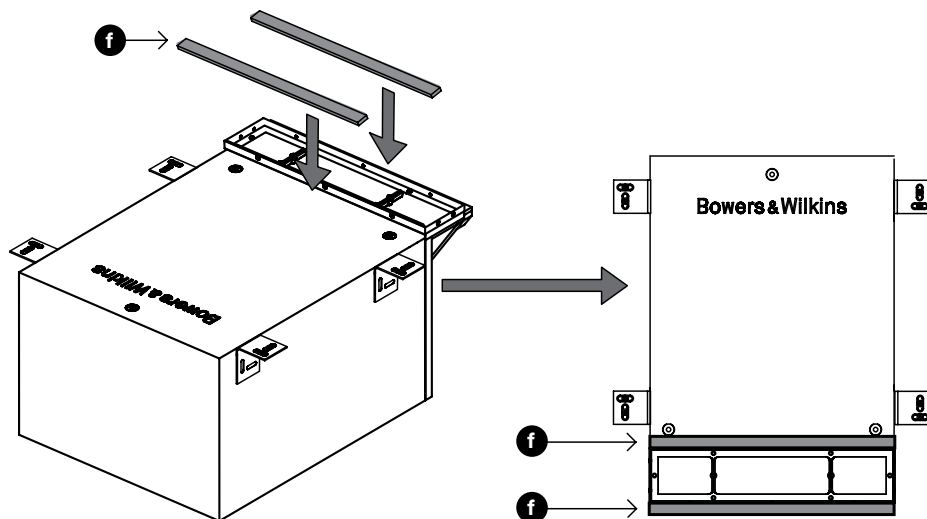


Figura 34

Portare il subwoofer nella posizione prevista. Spellare le estremità del cavo e collegarle ai morsetti a molla sul mobile osservando la corretta polarità. Quindi fissare il cavo in eccesso tramite la fascetta presente in prossimità dei morsetti per evitare vibrazioni, (Figura 35).

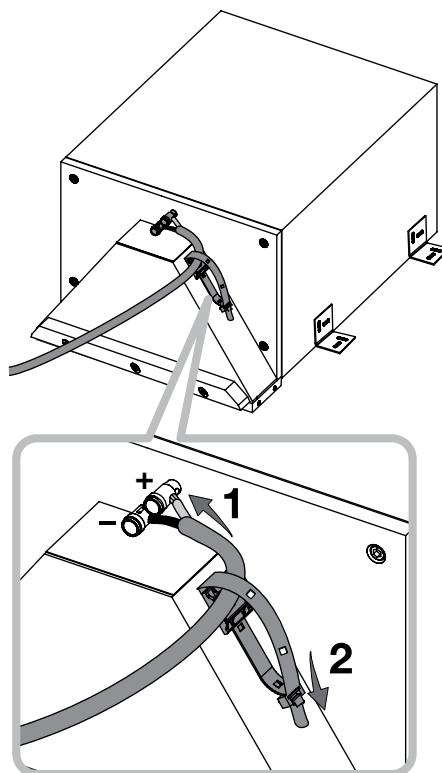


Figura 35

Posizionare il subwoofer dove previsto, con le staffe alloggiare negli incavi predisposti in precedenza. Avvitare le staffe ai montanti (viti non in dotazione) (Figura 36).

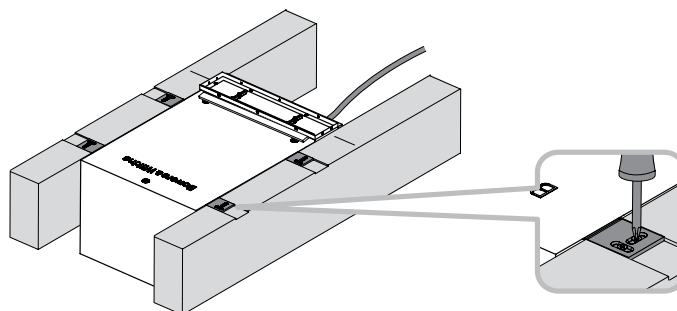


Figura 36

Se il pavimento viene realizzato tramite pannelli, utilizzare la dima di foratura (e) per segnare l'apertura sul pannello. Le sei sporgenze corrispondono alle dimensioni esterne della griglia a vista e sono riportate per indicare lo spazio occupato da essa. Ignorare i contorni delle sporgenze e disegnare un perfetto rettangolo. Con un utensile adatto praticare il foro sul pannello (Figura 37).

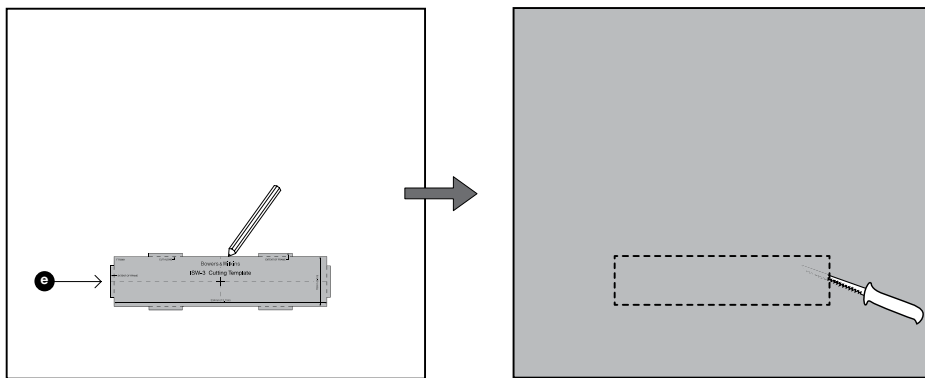


Figura 37

A questo punto è possibile applicare del sigillante morbido sul lato superiore del mobile del subwoofer per prevenire vibrazioni contro il pannello del pavimento.

Nel caso di pavimenti a pannelli, posizionare quello dove è stato praticato il foro rettangolare facendolo combaciare con l'apertura del subwoofer.

Nel caso di pavimenti realizzati mediante liste di parquet, disporle ai lati dell'apertura del subwoofer.

Se si desidera ricoprire il piano di calpestio con un rivestimento sottile (si vedano in proposito le considerazioni all'inizio di questa Sezione), stenderlo sul pavimento e quindi praticare un foro rettangolare in corrispondenza dell'apertura nel pannello sottostante.

Se desiderato, verniciare la griglia esterna (b).

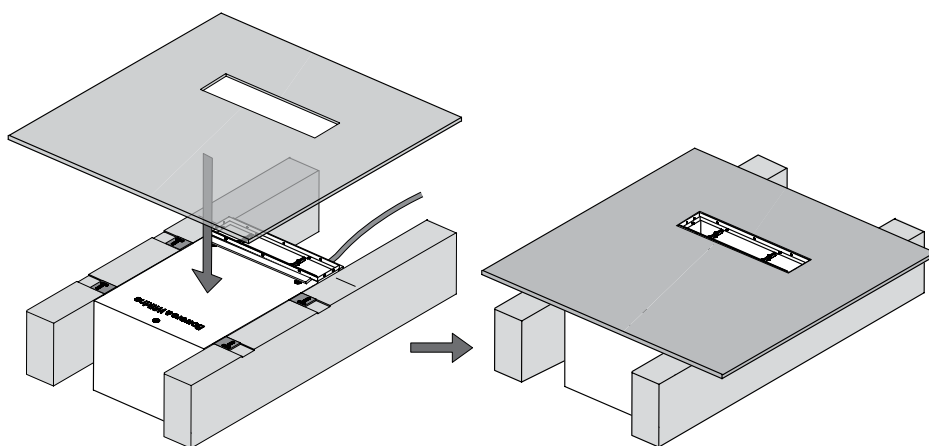


Figura 38

Fissare il telaio della griglia (c) all'apertura del condotto utilizzando le due viti a testa bombata M3 x 35 mm (i) inserite nei fori previsti nelle due sbarrette di rinforzo mediane. Non stringere eccessivamente le viti. È possibile che le due sbarrette mediane flettano leggermente, ma la cornice del telaio non deve subire deformazioni altrimenti la griglia non si aggancerà in modo corretto.

Agganciare la griglia (b) al telaio (c) (Figura 39).

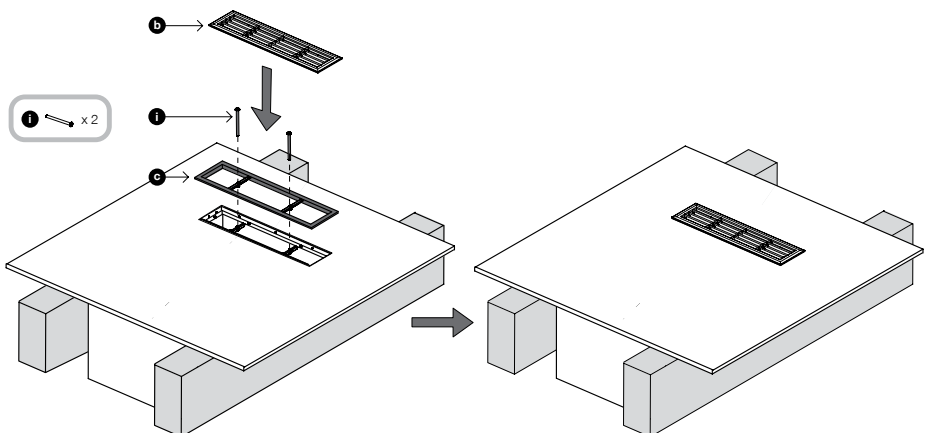


Figura 39

6 Installazione in un mobile della cucina

Il subwoofer viene posizionato sul ripiano inferiore di un mobile base da cucina con la griglia a vista posta sullo zoccolino al di sotto dell'anta.

Togliere la carta protettiva sul retro ed applicare una delle due guarnizioni adesive (f) sul condotto angolare di estensione (d) in prossimità del telaio della cornice.

Inserire l'estensione angolare nel condotto del mobile del subwoofer e fissarlo tramite dieci viti autofilettanti a testa svasata No.4 x 10 mm (l) infilandole nei fori d'invito presenti (Figura 40).

All'interno della cornice del condotto del mobile è premontata una guarnizione che deve venire compressa con forza al momento di inserire l'estensione angolare. In caso contrario non sarà possibile allineare i fori d'invito con quelli presenti sulla cornice.

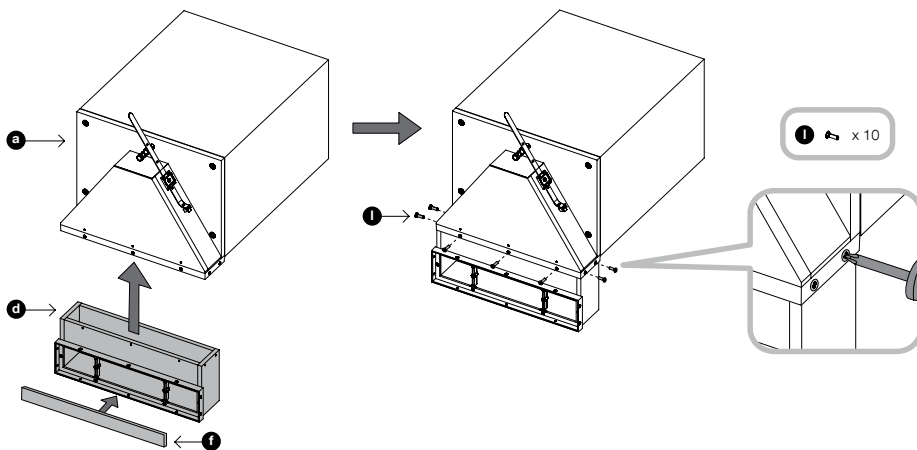


Figura 40

Assicurarsi che i controdadi si trovino a ridosso dei piedini in gomma (k) e quindi avvitare questi ultimi negli inserti filettati sotto al mobile del subwoofer (Figura 41).

! Tracciare una linea sullo zoccolino circa 30 mm sotto al ripiano inferiore del mobile. Il lato superiore del foro sullo zoccolino non deve trovarsi più in basso di questa linea (Figura 42).

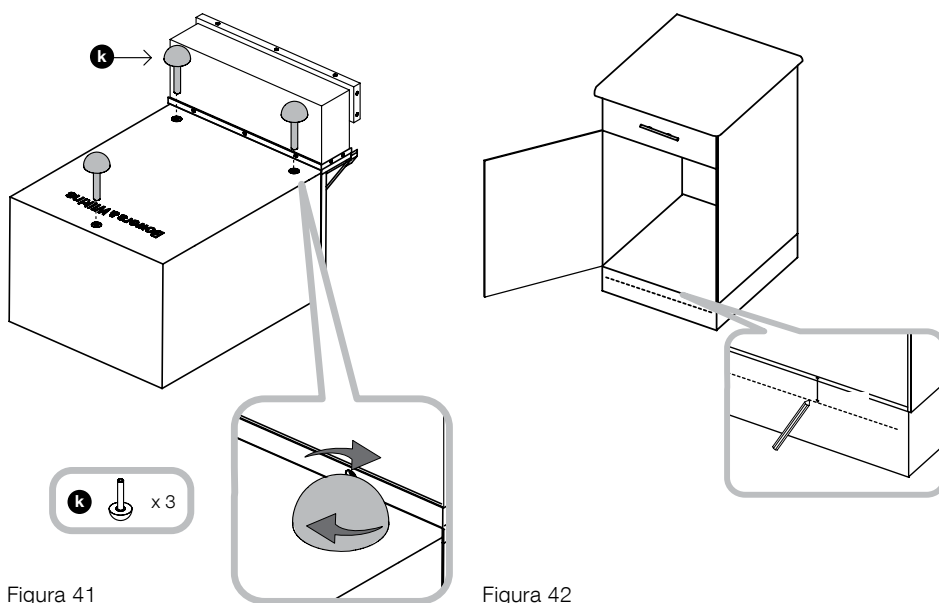


Figura 41

Figura 42

! Utilizzare la dima di foratura (e) per segnare l'apertura sullo zoccolino avendo cura che la parte superiore della dima si trovi alla stessa altezza della linea tracciata in precedenza o poco sopra e che sia correttamente allineata.

Le sei sporgenze corrispondono alle dimensioni esterne della griglia a vista e sono riportate per indicare lo spazio occupato da essa. Ignorare i contorni delle sporgenze e disegnare un perfetto rettangolo. Disegnare il rettangolo di foratura anche sul ripiano inferiore del mobile, prestando attenzione affinché il lato anteriore del foro si trovi a filo della faccia interna dello zoccolino.

Con un utensile adatto praticare il foro nello zoccolino ed un altro nel ripiano inferiore del mobile per permettere il passaggio del condotto angolare (Figura 43).

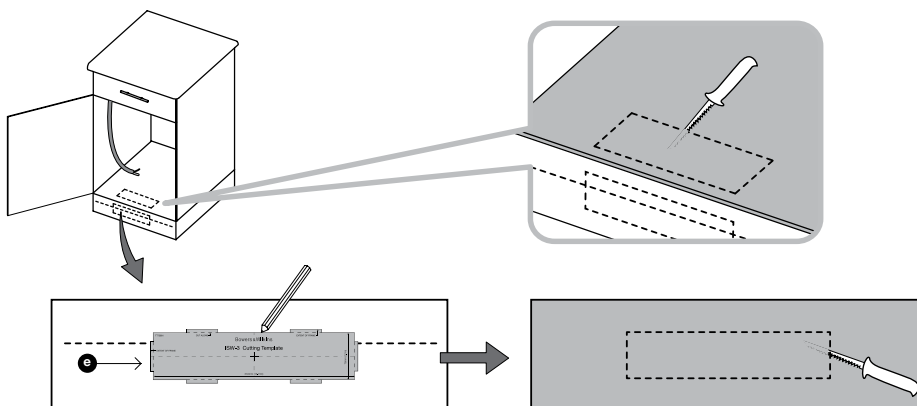


Figura 43

Far passare un cavo per diffusori di sezione adeguata alla lunghezza (maggiore la lunghezza, maggiore la sezione) verso il punto in cui si troveranno i terminali di collegamento.

Posizionare il subwoofer sul ripiano inferiore del mobile. Svitare i piedini fino ad allineare l'apertura del condotto angolare con il foro sullo zoccolino. Mantenendo i piedini fermi, svitare i controdadi fino a portarli contro il mobile del subwoofer per bloccarli (Figura 44).

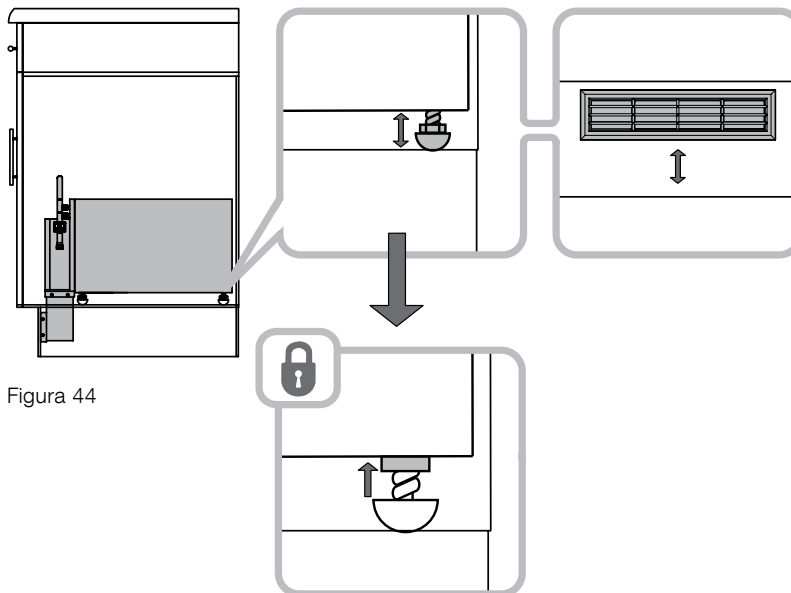


Figura 44

Spellare le estremità del cavo e collegarle ai morsetti a molla sul mobile osservando la corretta polarità. Quindi fissare il cavo in eccesso tramite la fascetta presente in prossimità dei morsetti per evitare vibrazioni, (Figura 45).

Se desiderato, verniciare la griglia esterna (b).

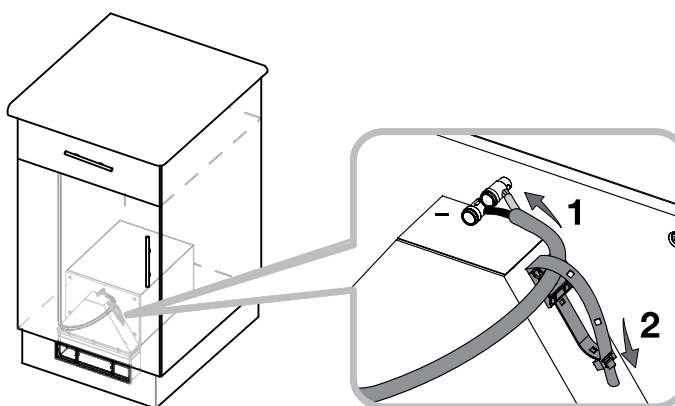


Figura 45

Fissare il telaio della griglia (c) all'apertura del condotto utilizzando le due viti a testa bombata M3 x 35 mm (i) inserite nei fori previsti nelle due sbarrette di rinforzo mediane. Non stringere eccessivamente le viti. È possibile che le due sbarrette mediane flettano leggermente, ma la cornice del telaio non deve subire deformazioni altrimenti la griglia non si aggancerà in modo corretto.

Agganciare la griglia (b) al telaio (c) (Figura 46).

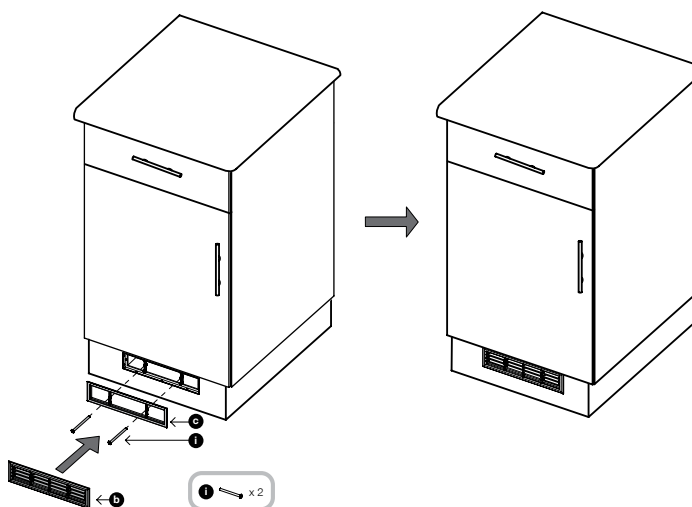


Figura 46

7 Rodaggio

Le prestazioni dell'ISW-3 possono variare leggermente durante il periodo iniziale di funzionamento. Se il subwoofer è stato immagazzinato in un ambiente freddo, i materiali smorzanti e le sospensioni degli altoparlanti hanno bisogno di un certo tempo per recuperare le loro proprietà meccaniche. Anche le sospensioni esterne tenderanno ad allentarsi durante le prime ore di utilizzo. Il periodo necessario al subwoofer per arrivare alle prestazioni ottimali varia in base alle condizioni del precedente immagazzinamento e da come viene utilizzato. Indicativamente può trascorrere fino ad una settimana perché gli effetti della temperatura si stabilizzino e 15 ore di utilizzo medio affinché le parti meccaniche raggiungano le caratteristiche ottimali definite in fase di progetto.

Talvolta è stata segnalata la necessità di periodi di rodaggio più lunghi (anche fino ad un mese), ma questo ha probabilmente poco a che fare con presunti cambiamenti nei diffusori e molto più con il grado di assuefazione dell'ascoltatore alle nuove sonorità.

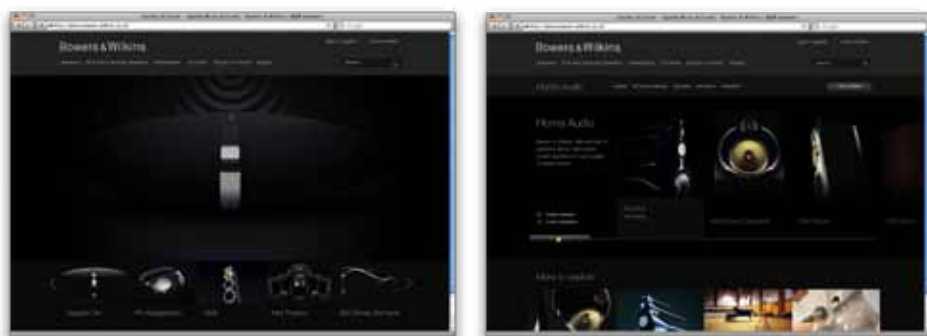
8 Manutenzione

Il subwoofer normalmente non necessita di particolari cure oltre ad una regolare rimozione e pulizia della griglia.

Se il subwoofer viene installato sotto al pavimento, periodicamente togliere la griglia ed aspirare polvere e detriti eventualmente accumulatisi nella cavità (Figura 35).

Welkom bij Bowers & Wilkins en ISW-3

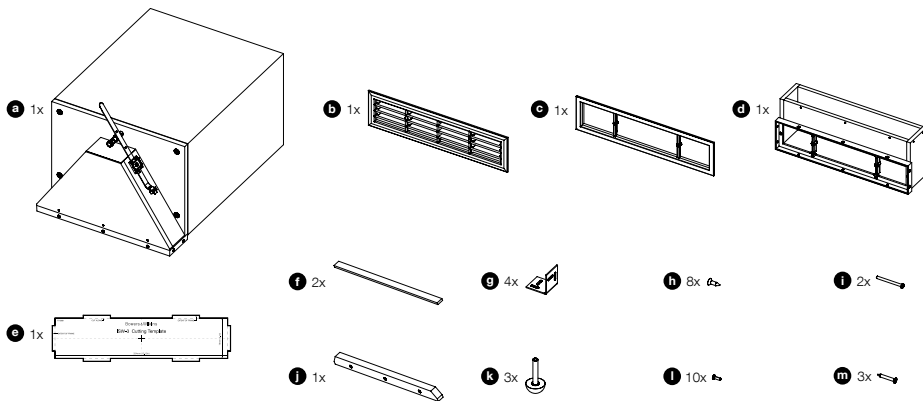
Hartelijk dank dat u hebt gekozen voor Bowers & Wilkins. John Bowers heeft ons bedrijf opgericht in de overtuiging dat de combinatie van creatief ontwerp, innovatieve techniek en geavanceerde technologie de sleutel vormen om in uw eigen huis van audio te kunnen genieten. Tot op de dag van vandaag delen wij zijn overtuiging en vormt het de inspiratiebron voor elk product dat wij ontwerpen.



1 Inhoud

Controleer of u de volgende onderdelen hebt ontvangen, als in afbeelding 1:

- a. Subwoofer
- b. Louvre rooster (wit)
- c. Louvre rooster (zwart)
- d. Kapverlenging
- e. Sjabloon
- f. Plakstroken
- g. Hoekbeugels
- h. Schroeven 8 x 12 mm (0,5 in)
- i. Schroeven M 3 x 35 mm (1,38 in)
- j. Ondersteuningsprofiel
- k. Rubberen voetjes & wartel
- l. Machineschroeven 4 x 10 mm (0,38 in)
- m. Machineschroeven 6 x 25 mm (1 in)



Afbeelding 1

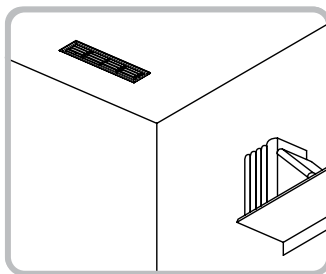
U heeft ook een "Quick Start" gids en garantiebewijs ontvangen. In deze handleiding vindt u meer informatie dan in de "Quick Start" gids.

Raadpleeg uw dealer als er onderdelen ontbreken of zijn beschadigd.

2 Toepassingen

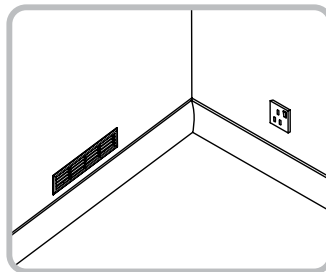
Er zijn vier toepassingen mogelijk, die elk in een afzonderlijk hoofdstuk worden toegelicht:

In een plafond – alleen in nieuwbouw (afbeelding 2)
Raadpleeg hoofdstuk 3.



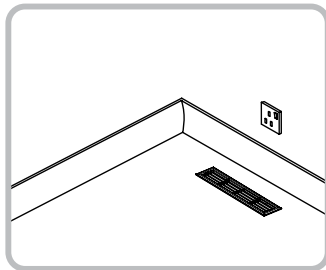
Afbeelding 2

In een muur – alleen in nieuwbouw (afbeelding 3)
Raadpleeg hoofdstuk 4.



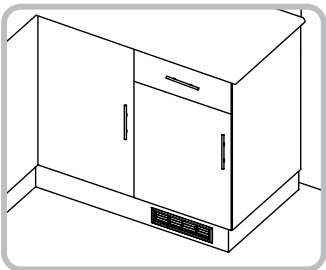
Afbeelding 3

Onder de vloer (afbeelding 4)
Raadpleeg hoofdstuk 5.



Afbeelding 4

In een keukenkastje (afbeelding 5)
Raadpleeg hoofdstuk 6.



Afbeelding 5

3 Inbouwen in een plafond

De luidspreker past tussen dwarsbalken met een standaard afstand van 40 cm (16 in) of meer. Plaats het zichtbare louvre rooster dwars in de ruimte ertussen. Hiervoor is een afstand van 25 cm (10 in) of meer achter de onderzijde van de dwarsbalken nodig.

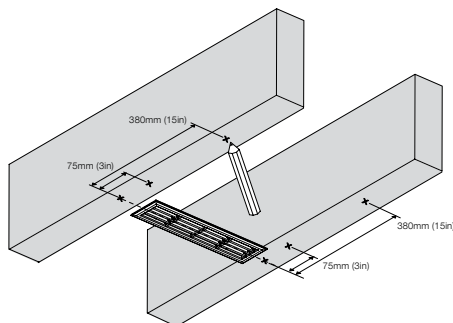
Markeer de middellijn van de gewenste positie van het louvre rooster aan elke kant op de onderzijde van de balken. Breng nog twee markeringen aan op beide dwarsbalken, op ongeveer 75 mm (3 in) en 380 mm (15 in) van de middellijn van het louvre rooster voor de steunbeugels van de kast (afbeelding 6).

Schroef de vier L-beugels (g) zoals afgebeeld aan de verticale binnenzijde van de dwarsbalken (schroeven zijn niet meegeleverd), zodanig dat de haken een rechte hoek vormen en in lijn zijn met het onderaanzicht van de balken.

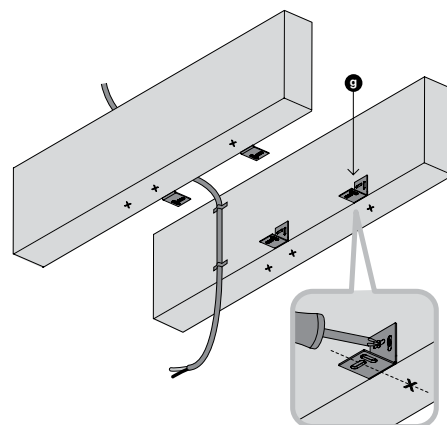
Voer een geschikte luidsprekerkabel naar het installatiepunt. Bevestig dit veilig aan de dwarsbalken zodat het niet kan rammelen. Maak het laatste bevestigingspunt dichtbij de gemarkeerde middellijn van het louvre rooster, vlakbij de bovenkant van de balk. Laat ongeveer 30–50 cm (12/20 in) vrij aan het einde (afbeelding 7).

Bevestig de steunbeugels (j) aan de kap met behulp van de drie schroeven 6 x 25 mm (m) door de voorgeboorde gaten (afbeelding 8).

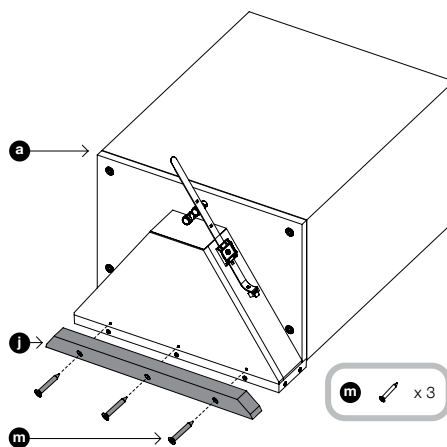
Vervijder het beschermfolie en breng de twee zelfklevende plakstroken aan (f), één op de beugel en één aan de andere kant van het louvre frame. Dit hecht stevig aan gipsplaat en voorkomt rammelen (afbeelding 9).



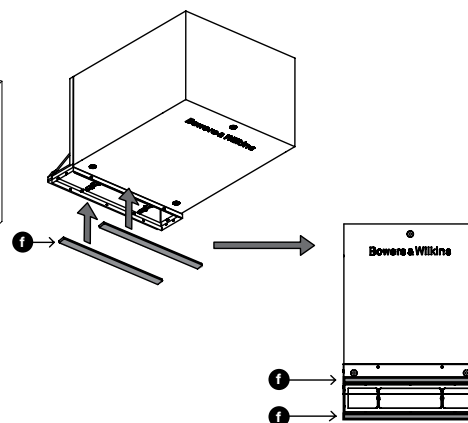
Afbeelding 6



Afbeelding 7



Afbeelding 8



Afbeelding 9

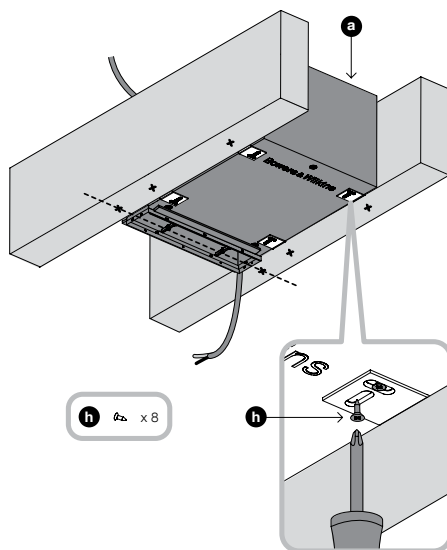
Plaats de luidspreker, zoals afgebeeld, op de vier L-beugels. Is de afstand tussen de balken te groot, waardoor de beugels niet in het kabinet zijn te schroeven, zorg dan voor een alternatieve, geschikte ondersteuning.

Breng het midden van de benodigde ruimte voor het louvre rooster in lijn met de markeringen op de dwarsbalken en vorm een rechte hoek ten opzichte van de muren.

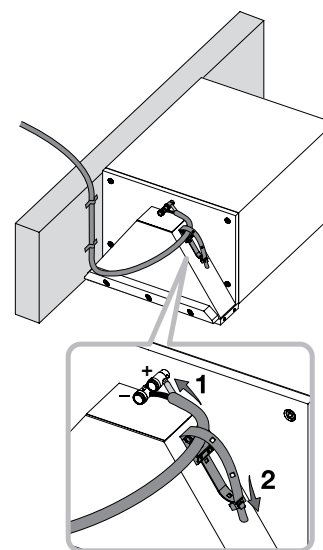
Zet de kast vast met behulp van de zelftappende schroeven nr. 8 x 12 mm (h), door de L-beugels heen in de kast (afbeelding 10).

Het louvre frame zal iets onder de onderzijde van de dwarsbalken uitsteken.

Strip de uiteinden van de kabel en sluit ze aan op de veerklemmen van de behuizing. Let op de juiste polariteit. Maak de overtollige kabel goed vast met de kabelklem op de subwoofer om rammelen te voorkomen (afbeelding 11).

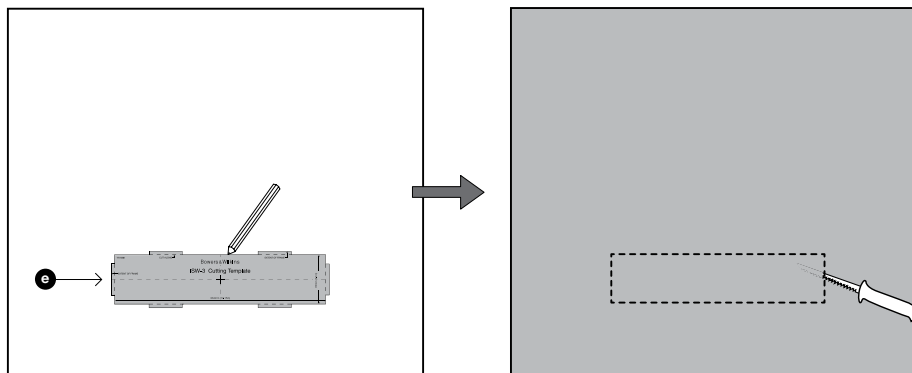


Afbeelding 10



Afbeelding 11

Geef met het sjabloon de positie aan op het gipsplaat. De zes uitsteeksels komen overeen met de omtrek van het louvre rooster en geven de benodigde uitsparingen aan. Markeer niet rond deze uitsteeksels, maar langs de doorkruisende stippellijnen (afbeelding 12).

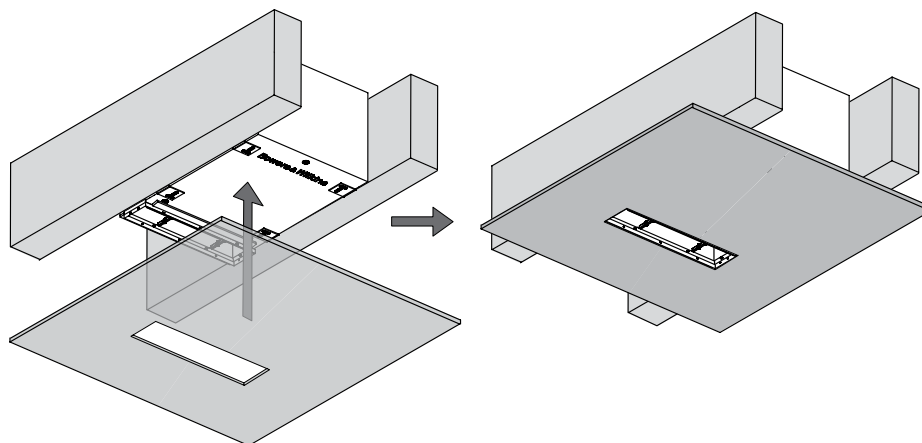


Afbeelding 12

U kunt nu flexibele mastiek aanbrengen op de voorzijde van de subwoofer behuizing om te voorkomen dat deze tegen het plafond rammelt.

Bevestig de spaanplaten tegen de plafondbalken (afbeelding 13) en breng de laatste afdekplaat aan.

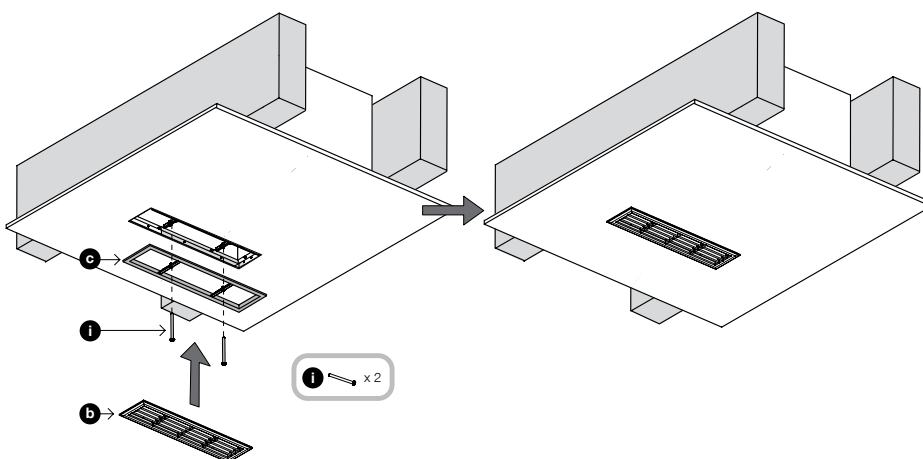
U kunt nu het plafond schilderen en, als u dat wilt, het louvre rooster (b) in een passende kleur spuiten. Alle gewone muurverven zijn hiervoor geschikt.



Afbeelding 13

Bevestig het louvre rooster (c) aan de voorzijde van de opening en maak het goed vast aan het louvre frame met de twee machineschroeven M3 (i) door de twee beugels. Niet vastdraaien! Er moet een lichte buigspanning zijn tussen de twee louvre beugels, maar het gebied eromheen mag niet worden verbogen, anders sluit het zichtrooster niet correct aan.

Klik het rooster (b) op het louvre rooster (c) (afbeelding 14).



Afbeelding 14

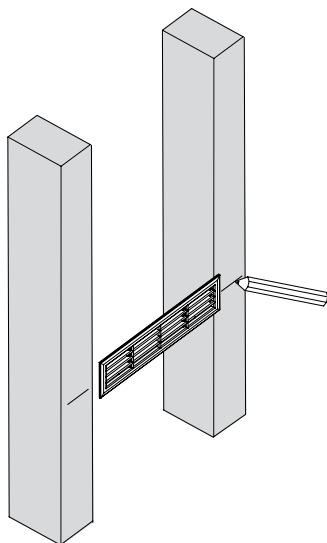
4 Inbouwen in de muur

Vanwege zijn diepte past de subwoofer niet in een gewone muur met een dikte van 100 mm (4 in). U kunt hem wel inbouwen in een op maat gemaakt meubel of in een kast die geschikt is voor deze diepte en waarvan het beslag een afstand heeft van standaard 40 cm (16 in) of meer.

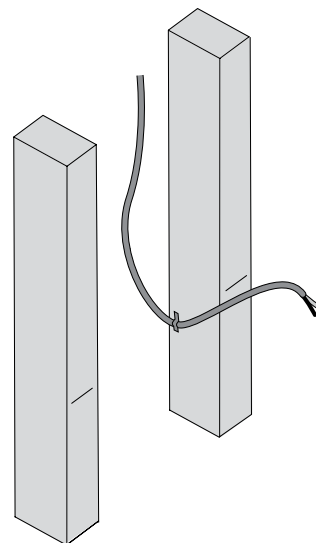
Meestal zal het louvre rooster laag op de muur moeten worden aangebracht, net boven de plint. In een dergelijk geval moet de kast met de kap aan de onderkant worden geplaatst.

Trek op de voorzijde van het beslag aan weerszijden van de subwoofer, een horizontale streep als markering voor de middellijn van het louvre rooster (afbeelding 15).

Voer een geschikte luidsprekerkabel naar het installatiepunt. Bevestig dit veilig aan het beslag zodat het niet kan rammelen. Maak het laatste bevestigingspunt dichtbij de gemarkeerde middellijn van het louvre rooster. Laat ongeveer 30 – 50 cm (12/20 in) vrij aan het einde (afbeelding 16).



Afbeelding 15



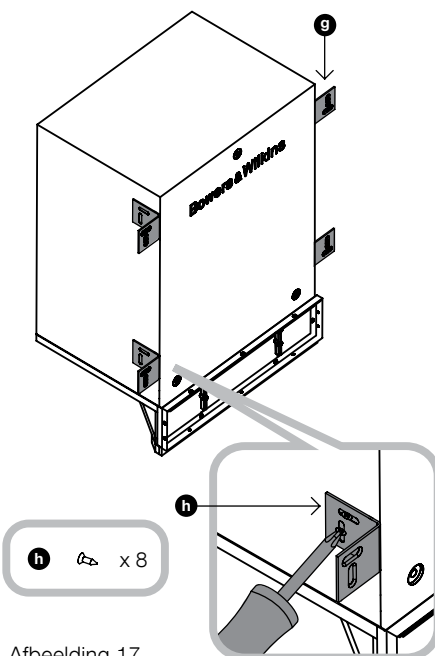
Afbeelding 16

Schroef zoals afgebeeld, de vier L-beugels (g) aan de zijkanten van de subwoofer behuizing met de twee schroeven 8 x 12 mm (0,5 in) (h) per beugel (afbeelding 17).

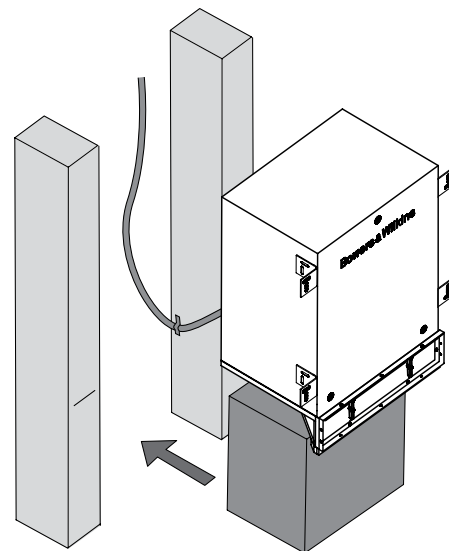
De verticale positie van de beugels is niet van belang, maar zorg er wel voor dat ze evenwijdig lopen met de voorkant van de kast.

Het is niet belangrijk, maar wel gemakkelijk om de subwoofer even tijdens het inbouwen met iets te steunen, zodat u het louvre rooster op de juiste hoogte kunt aanbrengen.

Schuif de subwoofer in de gewenste installatiepositie (afbeelding 18).



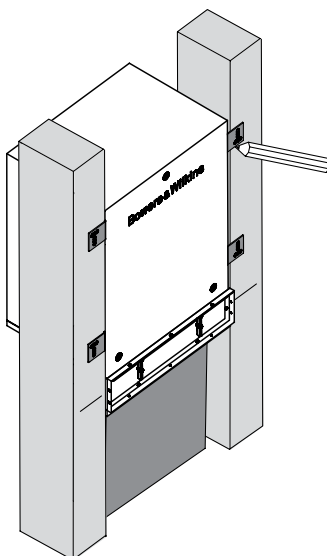
Afbeelding 17



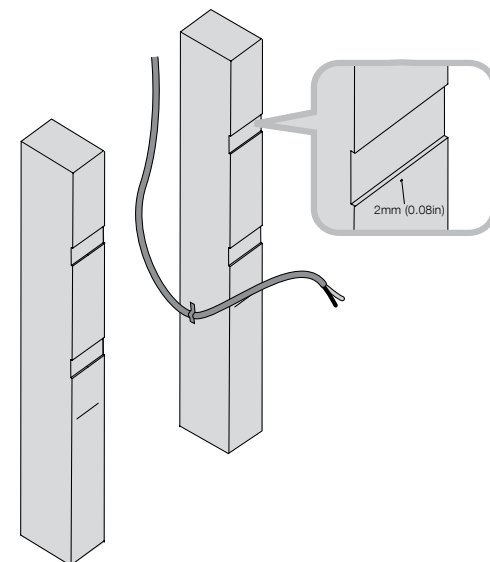
Afbeelding 18

Geef de omtrek van de beugels aan op de voorzijde van het beslag (afbeelding 19).

Verwijder vervolgens de subwoofer en keep het beslag in tussen de markeringen tot een diepte van 2 mm (0,08 in) zodat de beugels na aanbrengen geen verdikking op het gipsplaat vormen (afbeelding 20).

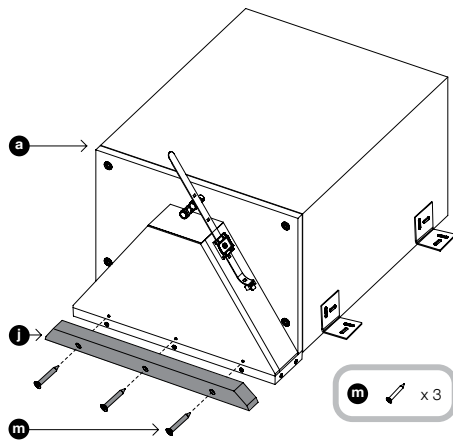


Afbeelding 19



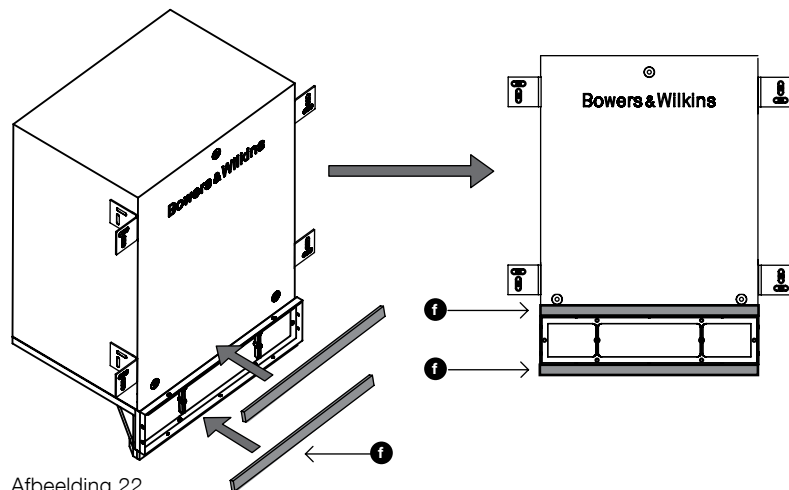
Afbeelding 20

Schroef zoals afgebeeld, de steunbeugel (j) vast aan de voorzijde van de kap met drie schroeven 6 x 25 mm (1 in) (m) in de voorgeboorde gaatjes (afbeelding 21).



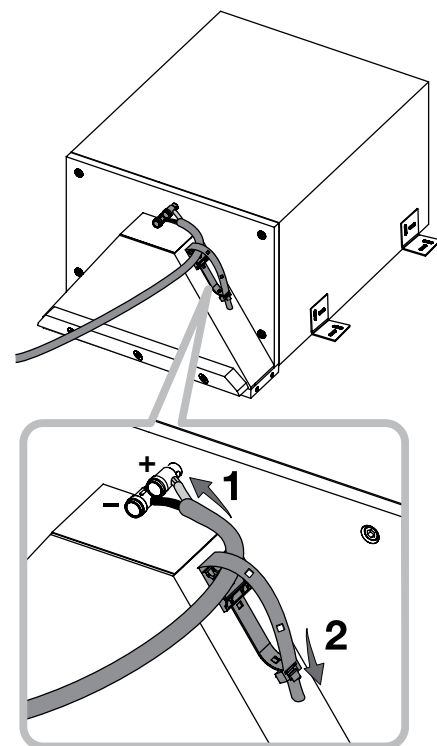
Afbeelding 21

Verwijder de beschermfolie en breng de twee zelfklevende plakstroken aan (f), één op de steunbeugel en één op de kast aan de andere kant van het louvre frame. Dit hecht stevig aan gipsplaat en voorkomt rammelen (afbeelding 22).



Afbeelding 22

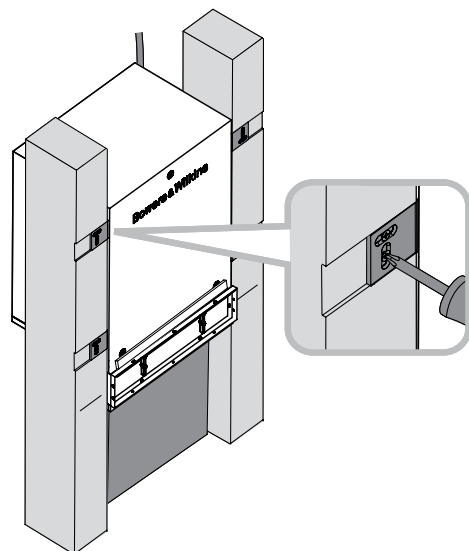
Breng de subwoofer dichtbij zijn uiteindelijke positie. Strip de uiteinden van de kabel en sluit ze aan op de veerklemmen. Let op de juiste polariteit! Maak de overtollige kabel goed vast aan de kap om rammelen te voorkomen (afbeelding 23).



Afbeelding 23

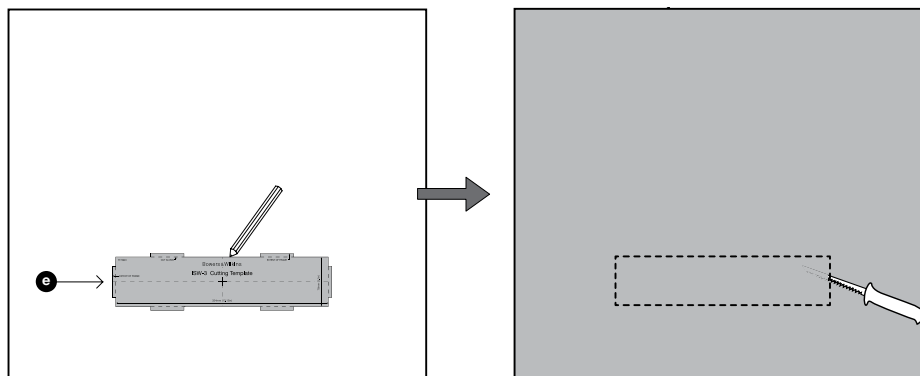
Plaats de subwoofer, eventueel met iets ter ondersteuning, op de steunbeugels die in de inkepingen rusten. Schroef vervolgens de beugels vast aan het beslag (schroeven niet meegeleverd – afbeelding 24).

Wanneer alles stevig is bevestigd, kunt u de tijdelijke ondersteuning verwijderen.



Afbeelding 24

Geef met het sjabloon (e) de positie op het gipsplaat aan. De zes uitsteeksels komen overeen met de omtrek van het louvre rooster en geven de benodigde uitsparingen aan. Markeer niet rond deze uitsteeksels, maar langs de doorkruisende stippellijnen (afbeelding 12).

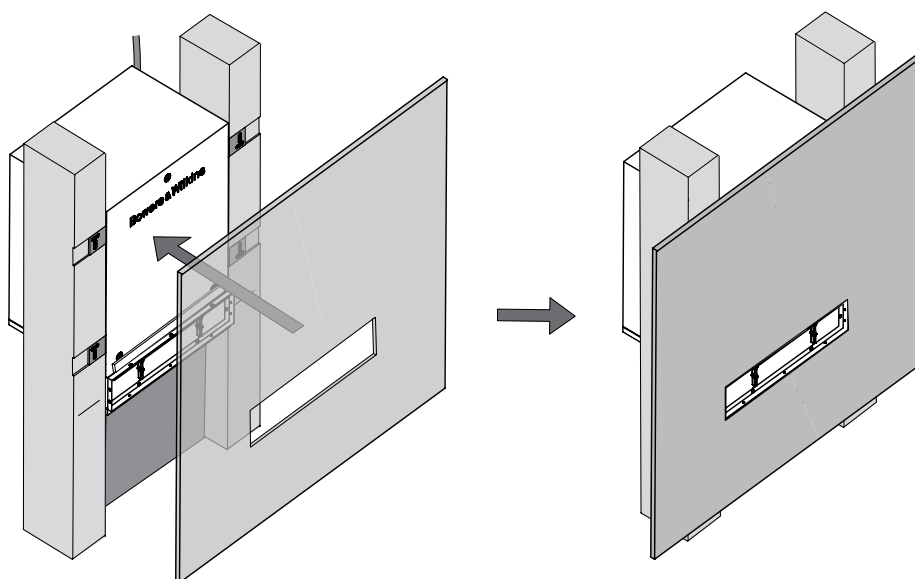


Afbeelding 25

U kunt nu flexibele mastiek aanbrengen op de voorzijde van de subwoofer behuizing om te voorkomen dat deze tegen het gipsplaat rammelt.

Bevestig de spaanplaat tegen het beslag (afbeelding 26) en breng de laatste afdekplaat aan.

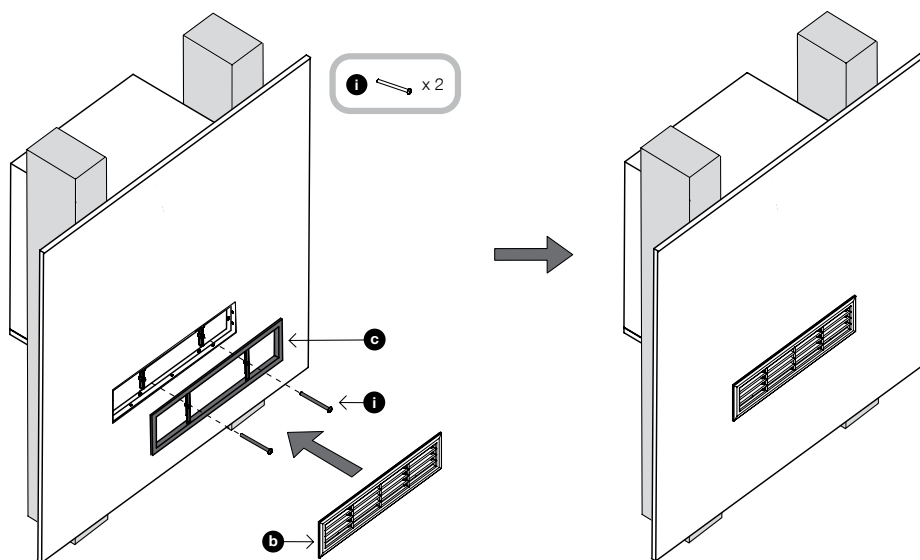
U kunt nu de muur schilderen en, als u dat wilt, het louvre rooster (b) in een passende kleur spuiten. Alle gewone muurverven zijn hiervoor geschikt.



Afbeelding 26

Bevestig het louvre rooster (c) aan de voorzijde van de opening en maak het goed vast aan het louvre frame met de twee machineschroeven M3 (i) door de twee beugels. Niet vastdraaien! Er moet een lichte buigspanning zijn tussen de twee louvre beugels, maar het gebied eromheen mag niet worden verbogen, anders sluit het zichtrooster niet correct aan.

Klik het zichtrooster (b) op het louvre rooster (c) (afbeelding 27).



Afbeelding 27

5 Inbouwen onder de vloer

De luidspreker past tussen dwarsbalken met een afstand van standaard 40 cm (16in) of meer. Plaats het zichtbare louvre rooster dwars in de ruimte ertussen. Hiervoor is een afstand van 25 cm (10in) of meer achter de bovenzijde van de dwarsbalken nodig.

Wij raden inbouwen af als de vloer is bedekt met een dik tapijt. Tapijt met een zeer korte pool, zoals tapijttegels, kan met enige voorzorgen wel worden gebruikt.

Geef de middellijn van de gewenste positie voor het louvre rooster aan op allebei de kanten, op de bovenzijde van de dwarsbalken.

Voer een geschikte luidsprekerkabel naar het installatiepunt. Bevestig dit veilig aan de dwarsbalken zodat het niet kan rammelen. Maak het laatste bevestigingspunt dichtbij de gemarkeerde middellijn van het louvre rooster, vlakbij het uiteinde van de balk. Laat ongeveer 30–50 cm (12/20in) vrij aan het einde (afbeelding 7).

Bevestig zoals afgebeeld, de vier steunbeugels aan de zijkanten van de behuizing met twee schroeven 8 x 12 mm (h) per beugel. De laterale positie van de haakjes is niet van belang, maar zorg er wel voor dat deze evenwijdig lopen met de bovenzijde van de behuizing en met de kapopening naar boven.

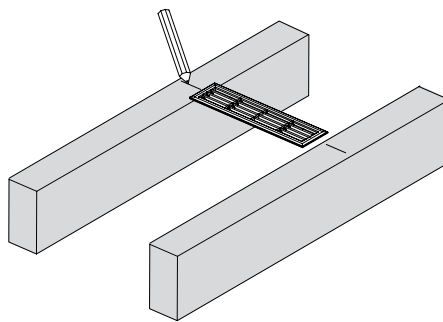
Leg de spreker tussen de dwarsbalken, ondersteund door de beugels die aan de dwarsbalken hangen (afbeelding 31).

Als de afstand tussen de dwarsbalken te groot is om gebruik te maken van de daarvoor bestemde beugels, zult u hiervoor een passende alternatieve oplossing moeten vinden.

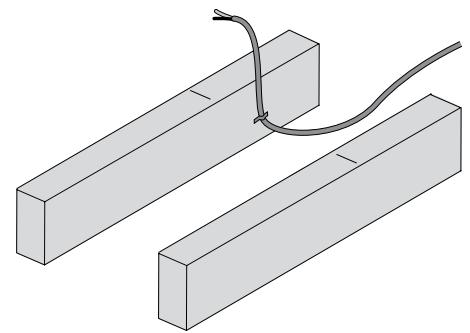
Lijn het louvre frame uit middels de markering op de balken en zorg ervoor dat het een rechte hoek vormt met de muur. Geef vervolgens de omtrek van de beugels aan op de dwarsbalken.

Haal de subwoofer weg en keep de balken in tot een diepte van 2 mm (0,08 in) om de beugels in te laten rusten (afbeelding 32).

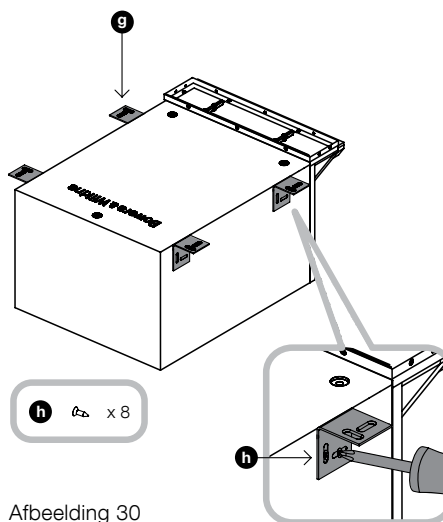
Schroef zoals afgebeeld, de steunbeugel (j) vast aan de voorzijde van de kap met drie schroeven 6 x 25 mm (1 in) (m) in de voorgeboorde gaatjes (afbeelding 33).



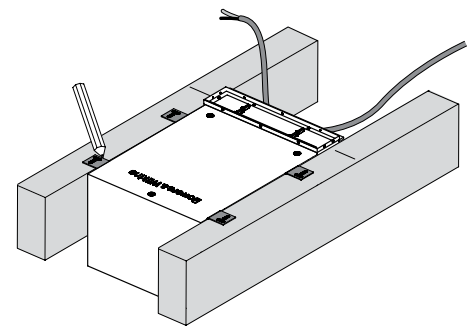
Afbeelding 28



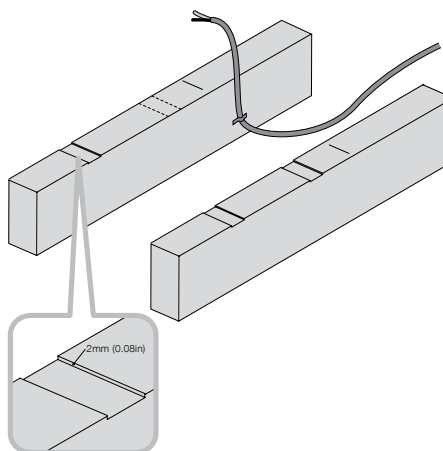
Afbeelding 29



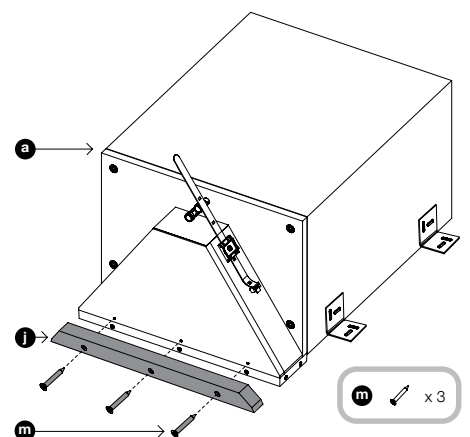
Afbeelding 30



Afbeelding 31

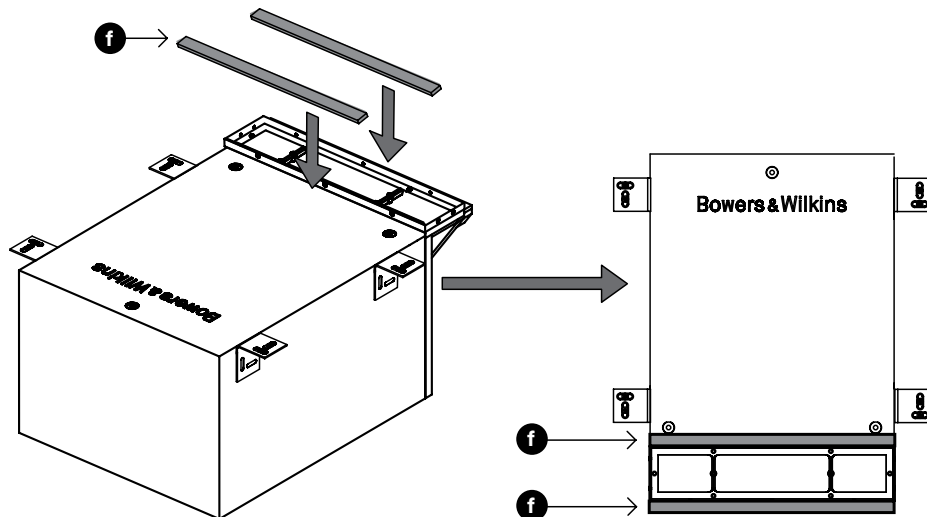


Afbeelding 32



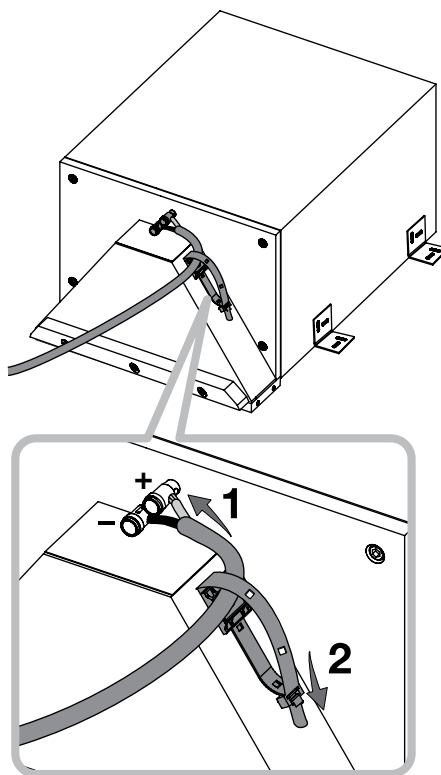
Afbeelding 33

Verwijder de beschermfolie en breng de twee zelfklevende plakstroken aan (f), één op de steunbeugel en één op de kast aan de andere kant van het louvre frame. Dit hecht stevig aan de vloer en voorkomt rammelen (afbeelding 34).



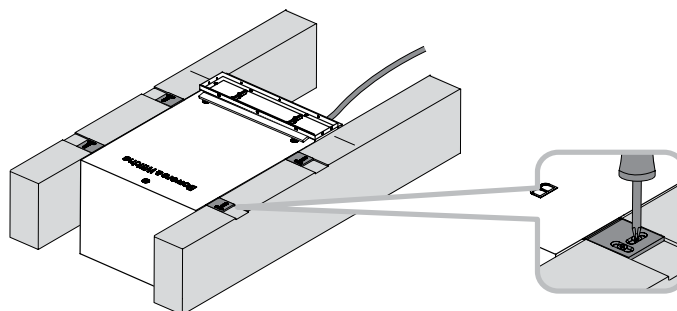
Afbeelding 34

Breng de subwoofer dichtbij zijn uiteindelijke positie. Strip de uiteinden van de kabel en sluit ze aan op de veerklemmen. Let op de juiste polariteit! Maak de overtollige kabel goed vast aan de kap om rammelen te voorkomen (afbeelding 35).



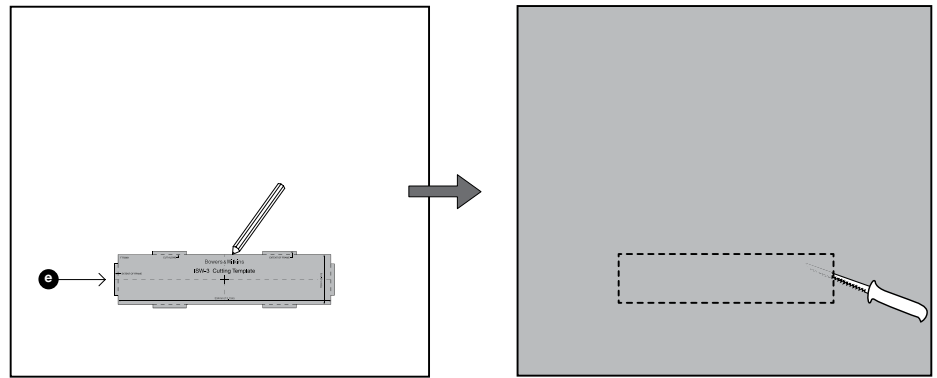
Afbeelding 35

Plaats de subwoofer op de steunbeugels die u in de inkepingen laat rusten. Schroef vervolgens de beugels vast aan de balken (schroeven niet meegeleverd – afbeelding 36).



Afbeelding 36

Heeft u te maken met vaste vloerbedekking, gebruik dan het sjabloon (e) om de benodigde ruimte hierop aan te geven. De zes uitsteeksels komen overeen met de omtrek van het louvre rooster en geven de benodigde uitsparingen aan. Markeer niet rond deze uitsteeksels, maar langs de doorkruisende stippellijnen (afbeelding 37).



Afbeelding 37

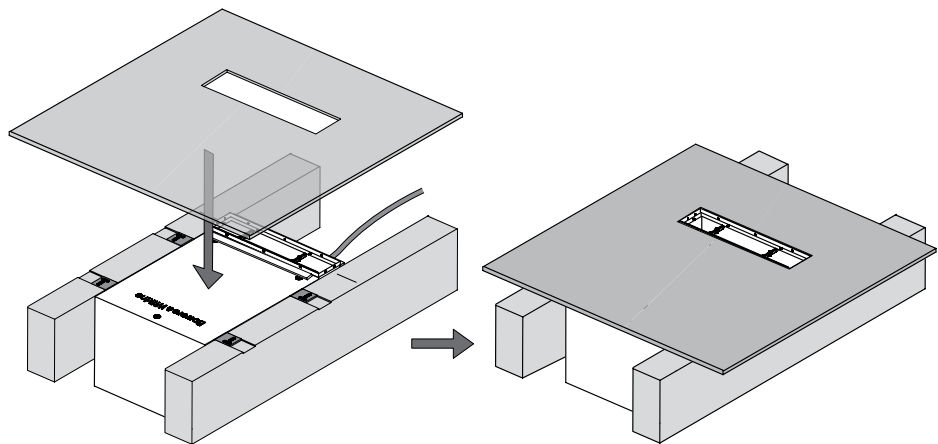
U kunt nu flexibele mastiek aanbrengen op de voorzijde van de subwoofer behuizing om te voorkomen dat deze tegen het de onderkant van de vloer rammelt.

Sluit bij gebruik van tapijttegels de tegel aan bij het uitstekende louvre rooster.

Voeg bij parket de planken rondom het uitstekende louvre rooster.

Leg zonodig (zie de opmerking aan het begin van dit hoofdstuk), het tapijt terug en snijd er een gat in dat overeenkomt met de uitsparing in de vloer.

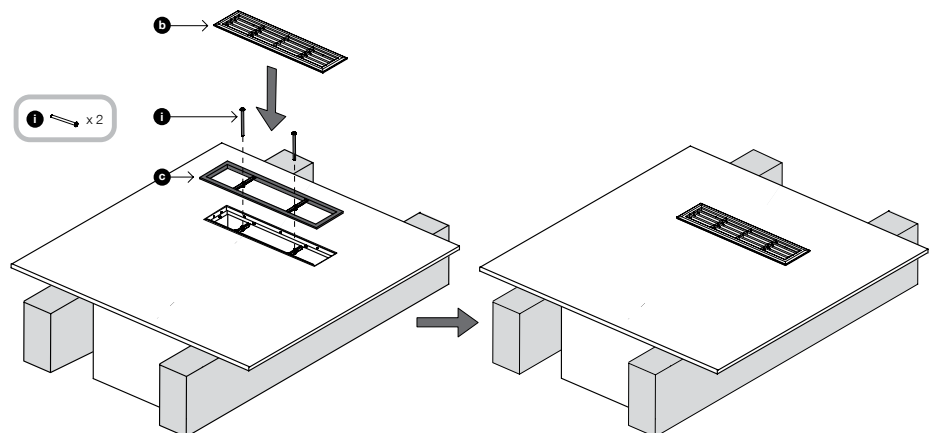
U kunt eventueel het louvre rooster in kleur spuiten.



Afbeelding 38

Bevestig het louvre rooster (c) aan de voorzijde van de opening en maak het goed vast aan het louvre frame met de twee machineschroeven M3 (i) door de twee beugels. Niet vastdraaien! Er moet een lichte buigspanning zijn tussen de twee louvre beugels, maar het gebied eromheen mag niet worden verbogen, anders sluit het zichtrooster niet correct aan.

Klik het zichtrooster (b) op het louvre rooster (c) (afbeelding 39).



Afbeelding 39

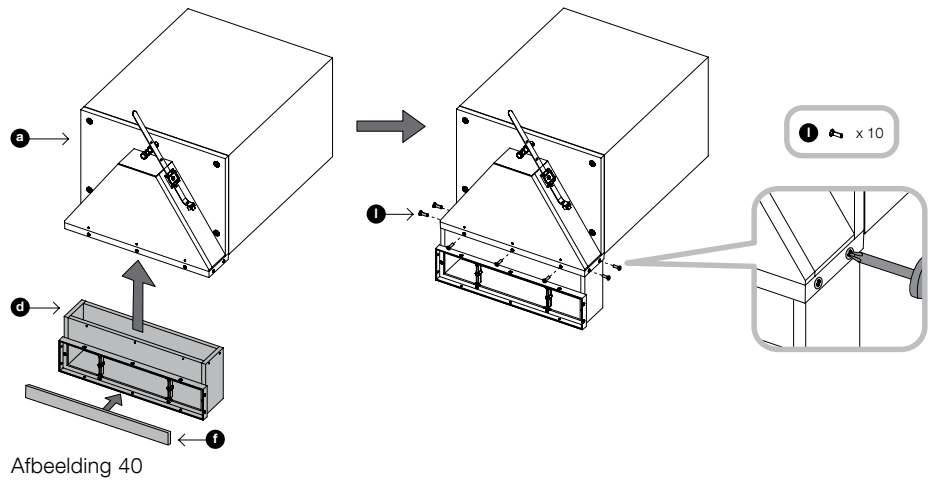
6 Inbouwen in een keukenkastje

De subwoofer wordt op de onderste plank van het kastje geplaatst en krijgt ventilatie via de plint onder het deurtje.

Verwijder de beschermfolie en bevestig een van de plakstroken (f) op de kapverlenging, langs de rand van het louvre frame.


Bevestig de kapverlening (d) aan het louvre frame op de behuizing, met behulp van de 10 schroeven 4 x 10 mm (l) in de voorbeoorde gaatjes (afbeelding 40).

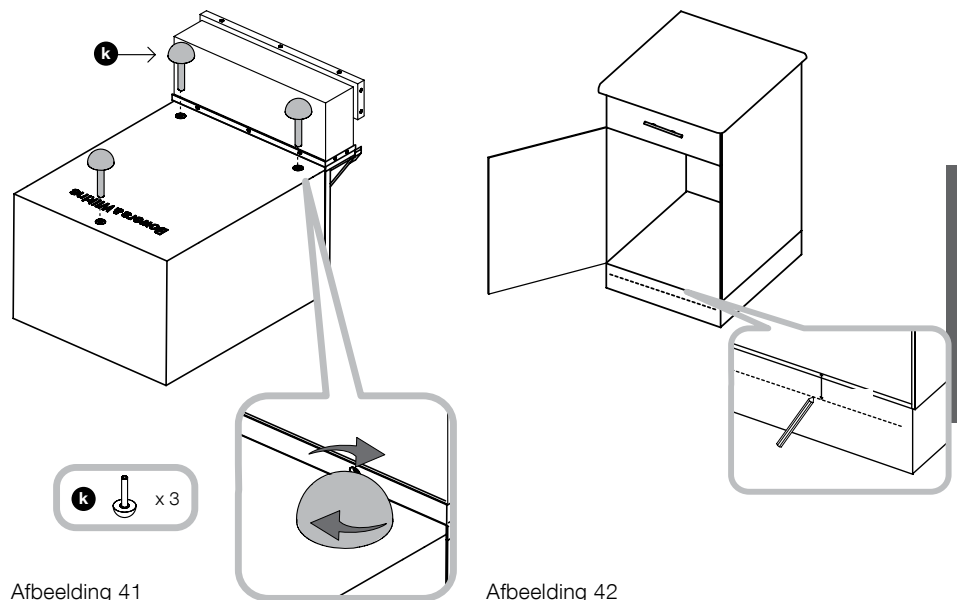
Er is een geprepareerde pakking aangebracht op de randen van het louvre frame voor koppeling met de kap. Deze moet u indrukken wanneer u de verlenging aanbrengt. De schroefgaatjes staan niet op één lijn als de pakking niet goed wordt ingedrukt.



Afbeelding 40

Zorg ervoor dat de wartel volledig naar beneden is geschroefd op de schroefpinnen van de rubberen voetjes (k) en schroef de voeten alle drie volledig in de van schroefdraad voorziene uitsparingen in de behuizing van de subwoofer (afbeelding 41).

 Breng een markering aan op de plint, 30 mm (1,2 in) beneden de onderzijde van de onderste plank. De bovenkant van de uitsparing hierin mag niet beneden deze lijn komen (afbeelding 42).



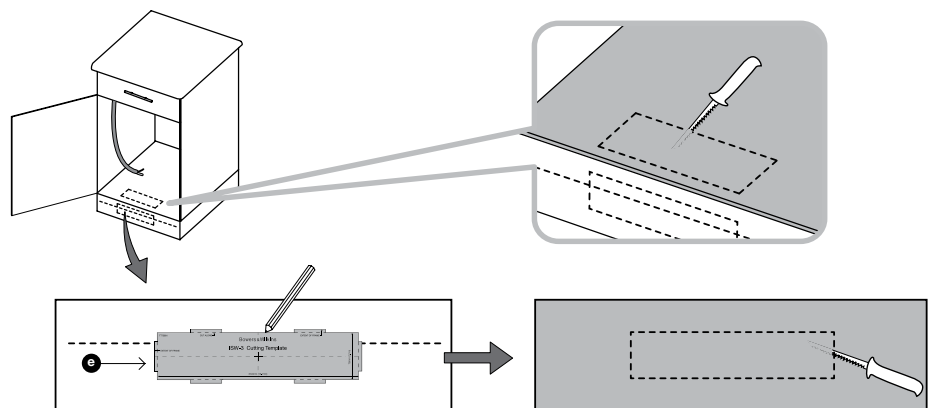
Afbeelding 41

Afbeelding 42

 Breng met het meegeleverde sjabloon de gewenste uitsparing aan op de plint. Plaats hierbij de bovenkant van het sjabloon op of boven de markering en zorg dat het overal rechte hoeken vormt.

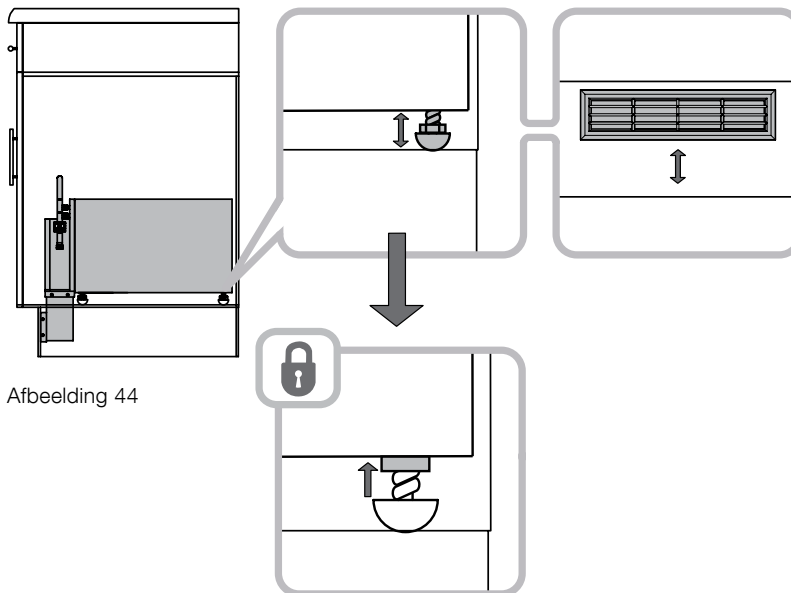
Snij het gat in de plint en ook een in de onderste plank van het keukenkastje om ruimte te maken voor de kapverlenging. De voorzijde van het gat in de plank moet evenwijdig lopen met de achterkant van de plint (afbeelding 43).

Voer een geschikte luidsprekerkabel naar het installatiepunt.



Afbeelding 43

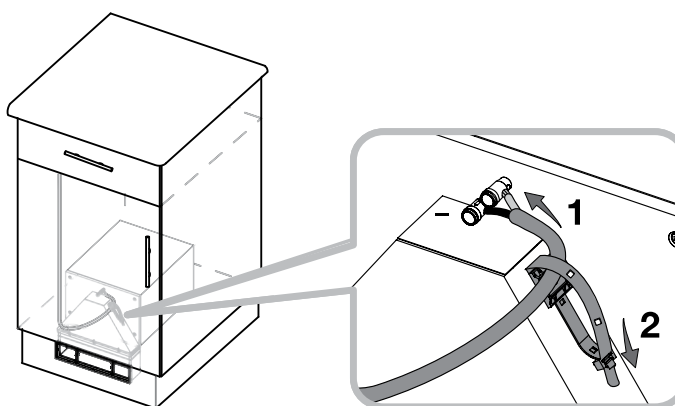
Plaats de subwoofer op de onderste plank. Schroef de voeten zodanig los dat de ventilatie van de kapverlenging in lijn is met de uitsparing in de plint. Houd vervolgens de voetjes in die positie en schroef de wartel tot aan de behuizing, om de subwoofer op zijn plek (afbeelding 44) te houden.



Afbeelding 44

Strip de uiteinden van de kabel en sluit ze aan op de veerklemmen. Let op de juiste polariteit! Maak de overtollige kabel goed vast aan de kap om rammelen te voorkomen (afbeelding 45).

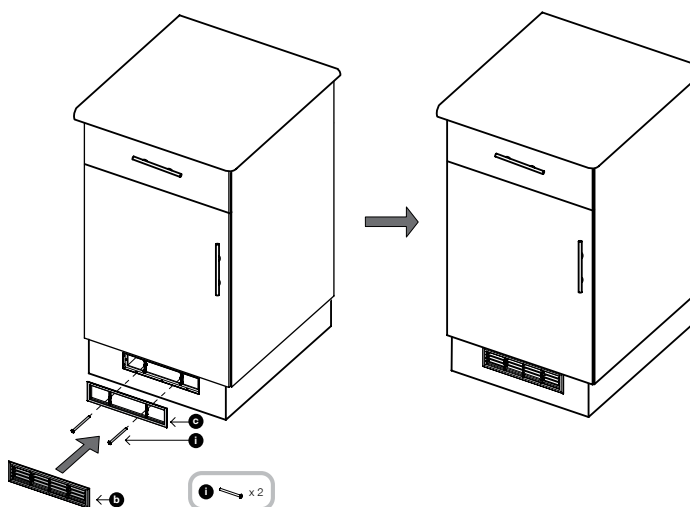
Spuit eventueel het louvre rooster in kleur.



Afbeelding 45

Bevestig het louvre rooster (c) aan de voorzijde van de opening en maak het goed vast aan het louvre frame met de twee machineschroeven M3 (i) door de twee beugels. Niet vastdraaien! Er moet een lichte buigspanning zijn tussen de twee louvre beugels, maar het gebied eromheen mag niet worden verbogen, anders sluit het zichtrooster niet correct aan.

Klik het zichtrooster (b) op het louvre rooster (c) (afbeelding 46).



Afbeelding 46

7 Inwerken

De prestaties van de luidspreker veranderen enigszins vanaf het begin van de luisterperiode. Als de luidspreker was opgeslagen in een koude omgeving, duurt het even eer de correcte mechanische eigenschappen van het dempingsmateriaal en de ophanging van drivers zich herstellen. De demping van de driver wordt ook wat soepeler tijdens de eerste gebruiksuren. De tijd die de luidspreker nodig heeft om de prestatie te kunnen leveren die u ervan mag verwachten, hangt af van de omstandigheden waaronder de luidspreker was opgeslagen en het gebruik ervan. Als richtlijn kunt u maximaal een week aanhouden voor het stabiliseren van de temperatuureffecten en 15 uur van gemiddeld gebruik voor volledig herstel van de eigenschappen van de mechanische onderdelen.

Langere inwerkperiodes (een maand bijvoorbeeld) zijn echter niet ongebruikelijk en er zijn aanwijzingen dat dit weinig heeft te maken met veranderingen in de luidspreker, maar meer met de luisteraar die moet wennen aan het nieuwe geluid.

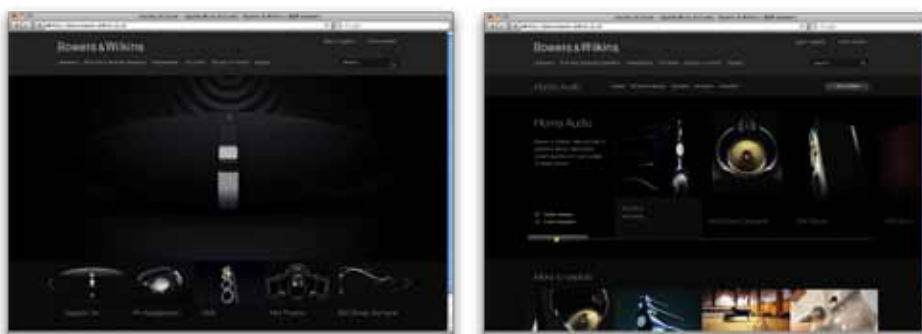
8 Onderhoud

De subwoofer behoeft geen onderhoud. Alleen het louvre rooster dient u regelmatig te verwijderen en schoon te maken.

Als de subwoofer onder de vloer is geïnstalleerd, verwijder dan regelmatig het louvre rooster en stofzuig de kapruimte om het vuil te verwijderen dat erin terecht is gekomen.

Καλώς ήρθατε στην Bowers & Wilkins και στο ISW-3

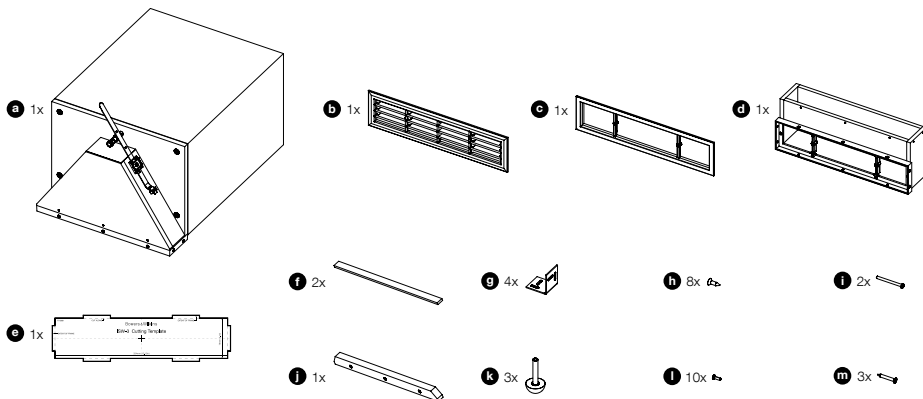
Ευχαριστούμε που επιλέξατε την Bowers & Wilkins και το ISW-3. Ο John Bowers ίδρυσε την εταιρεία μας με την πεποίθηση ότι ο ευφάνταστος σχεδιασμός, η καινοτόμος μηχανική και η προηγμένη τεχνολογία είναι οι καθοριστικοί παράγοντες για την απόλαυση του οικιακού ήχου. Την πεποίθησή του αυτή συνεχίζουμε να μοιραζόμαστε και μας εμπνέει σε κάθε προϊόν που σχεδιάζουμε.



1 Περιεχόμενα

Ελέγξτε πως έχετε τα παρακάτω εξαρτήματα όπως εμφανίζονται στην Εικόνα 1:

- a) Υπογούφερ
- b) Γρίλια πρόσοψη (λευκή)
- c) Γρίλια πλαίσιο (μαύρη)
- d) Προέκταση προσαρμογής γρίλιας
- e) Πατρόν κοψίματος
- f) Ελαστικές λωρίδες
- g) Γωνίες στήριξης
- h) Βίδες Νο8 x 12mm
- i) M3 x 35mm βίδες
- j) Μπάρα στήριξης
- k) Ελαστικά πόδια και "παξιμάδια" ασφάλισης
- l) Βίδες Νο4 x 10mm
- m) Βίδες Νο6 x 25mm



Εικόνα 1

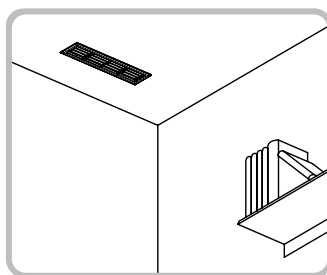
Επιπρόσθετα πρέπει να βρείτε έναν περιληπτικό οδηγό εγκατάστασης και το φυλλάδιο εγγύησης. Στο εγχειρίδιο που κρατάτε στα χέρια σας θα βρείτε αναλυτικότερες οδηγίες, σε σχέση με αυτές που αναφέρονται στον περιληπτικό οδηγό.

Επικοινωνήστε με την αντιπροσωπεία αν κάποιο εξάρτημα λείπει ή είναι κατεστραμμένο.

2 Εφαρμογές

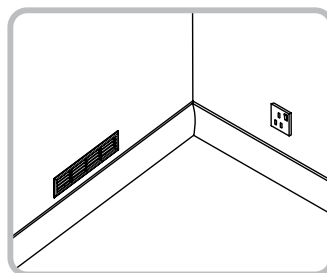
Υπάρχουν τέσσερις δυνατοί τρόποι εγκατάστασης, κάθε ένας από αυτούς περιγράφεται σε ξεχωριστό κεφάλαιο των οδηγιών:

Εγκατάσταση σε οροφή, μόνο σε νέες κατασκευές (Εικόνα 2)
Ανατρέξτε στο Κεφάλαιο 3.



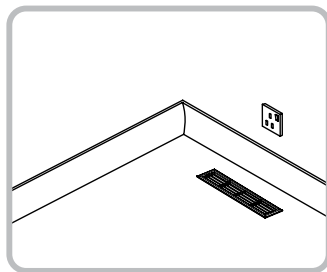
Εικόνα 2

Εγκατάσταση μέσα σε τοίχο, μόνο σε νέες κατασκευές (Εικόνα 3)
Ανατρέξτε στο κεφάλαιο 4



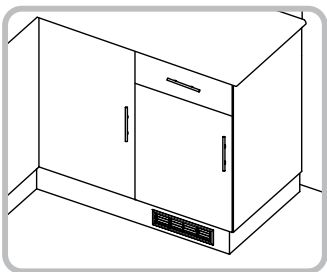
Εικόνα 3

Κάτω από το δάπεδο (Εικόνα 4)
Ανατρέξτε στο Κεφάλαιο 5.



Εικόνα 4

Σε ντουλάπι κουζίνας (Εικόνα 5)
Ανατρέξτε στο Κεφάλαιο 6.



Εικόνα 5

3 Εγκατάσταση σε οροφή

Το ηχείο μπορεί να προσαρμοστεί μεταξύ δοκών που απέχουν περισσότερο από 40cm (16in). Το κενό (ύψος) μεταξύ ψευδοροφής και οροφής πρέπει να είναι τουλάχιστον 25cm (10in).

Σημαδέψτε την επιθυμητή θέση της γρίλιας στην κάτω επιφάνεια της ψευδοροφής. Κάντε δυο επιπλέον σημάδια σε κάθε δοκό στήριξης σε αποστάσεις 75mm(3in) και 380mm(15in) από το κέντρο της γρίλιας για να στερεωθούν οι γωνίες στήριξης του υπογούφερ (Εικόνα 6).

Βιδώστε τις τέσσερις γωνίες στηρίξεις (g) όπως φαίνεται στην αντίστοιχη εικόνα (δεν παρέχονται οι βίδες). Βεβαιωθείτε πως οι βάσεις σχηματίζουν τετράγωνο και έρχονται "πρόσωπο" με την κάτω πλευρά των δοκών.

Οδεύστε καλώδιο ηχείων κατάλληλης διατομής στο σημείο εγκατάστασης. Στερεώστε το σωστά στις δοκούς ώστε να αποφευχθούν πιθανοί τριγμοί ενώ το τελικό σημείο στήριξης πρέπει να βρίσκεται κοντά στο κέντρο της γρίλιας. Αφήστε περίπου 30 έως 50cm (12in-20in) περίσσευμα καλωδίου (Εικόνα 7).

Προσαρμόστε την μπάρα στήριξης (j) στην οπή εξόδου του ήχου του υπογούφερ χρησιμοποιώντας τις τρεις βίδες Νο6 x 25mm (m) και τις ήδη υπάρχουσες τρύπες (Εικόνα 8).

Αφαιρέστε το προστατευτικό χαρτί και βάλτε τις δύο αυτοκόλλητες ελαστικές λωρίδες (f), μία στην μπάρα στήριξης και την άλλη στην άλλη πλευρά της γρίλιας. Οι ελαστικές λωρίδες θα ακουμπούν την γυψοσανίδα ώστε να αποφευχθεί η εμφάνιση τριγμών κατά την λειτουργία του υπογούφερ (Εικόνα 9).

Σηκώστε το ηχείο και αφήστε το να ακουμπά στις 4 γωνίες στήριξης, όπως φαίνεται στην εικόνα. Αν η απόσταση μεταξύ των δοκών είναι πολύ μεγάλη και δεν επιτρέπει την στερέωση της καμπίνας του ηχείου με τις γωνίες στήριξης, πρέπει – ένας πεπειραμένος εγκαταστάτης – να χρησιμοποιήσει άλλο τρόπο στήριξης.

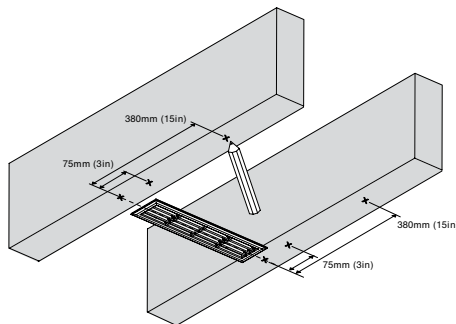
Ευθυγραμμίστε το μέσο της γρίλιας με τα σημάδια που έχετε κάνει στις δοκούς (ή το αντίστοιχο τμήμα της οροφής) και γωνιάστε την σε σχέση με τους τοίχους.

Στερεώστε την καμπίνα του ηχείου, χρησιμοποιώντας τις βίδες Νο8 x 12mm (h) "δένοντας" τις γωνίες στήριξης με την καμπίνα (Εικόνα 10).

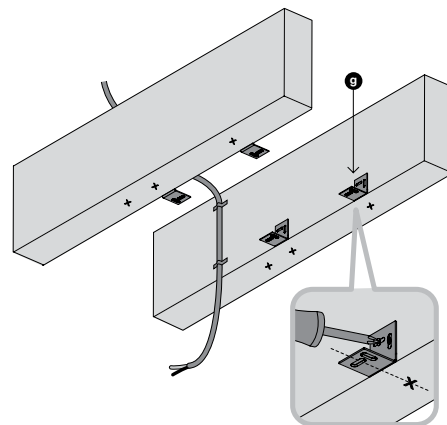
Τα χείλη της γρίλιας θα προεξέχουν από το επίπεδο των δοκών της ψευδοροφής.

Στριψτε τα άκρα του καλωδίου και συνδέστε το κάθε άκρο με τον αντίστοιχο ελατηριωτό ακροδέκτη που υπάρχει στην καμπίνα του ηχείου. Δώστε προσοχή στην σωστή πολικότητα καλωδίου – ακροδεκτών.

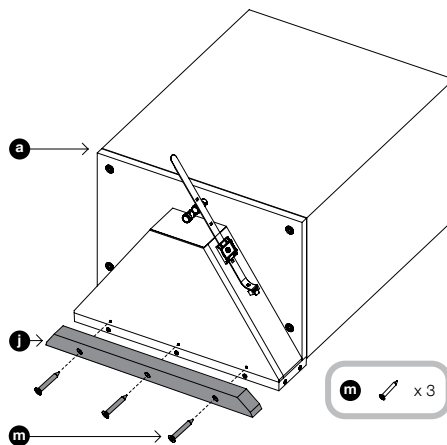
Για να αποφύγετε συντονισμούς κατά την λειτουργία του συστήματος ασφαλίστε το περίσσευμα του καλωδίου με το δεματικό που υπάρχει για αυτό το σκοπό κοντά στους ακροδέκτες (Εικόνα 11).



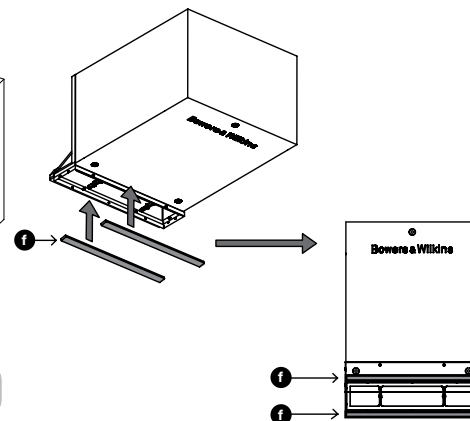
Εικόνα 6



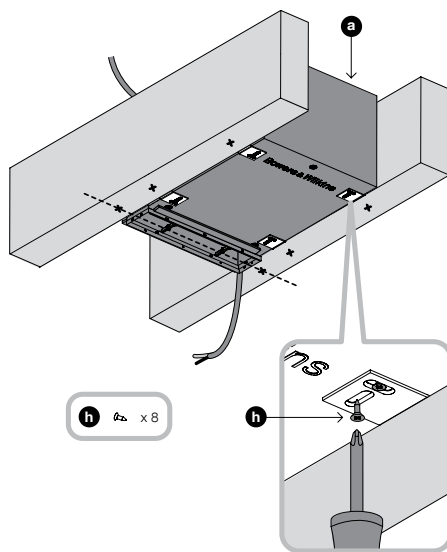
Εικόνα 7



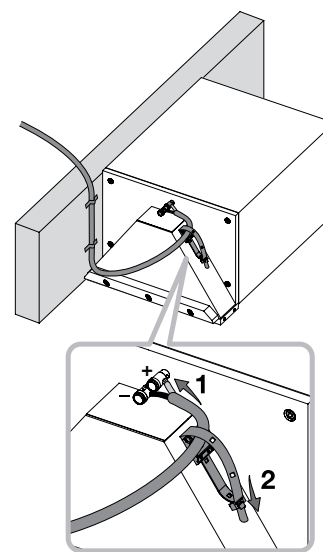
Εικόνα 8



Εικόνα 9

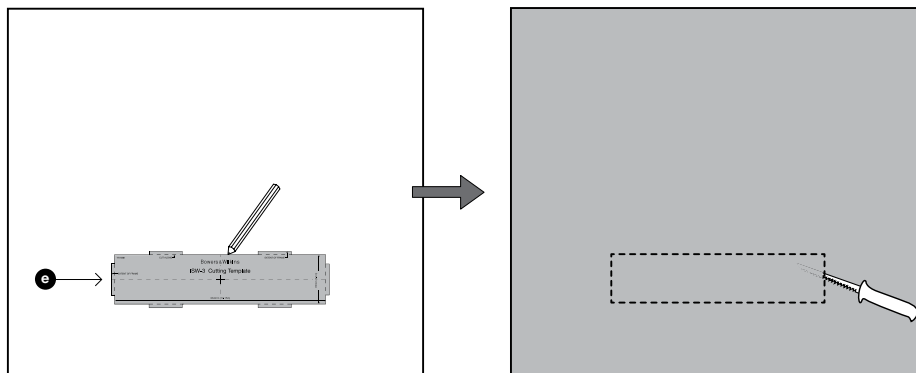


Εικόνα 10



Εικόνα 11

Χρησιμοποιήστε το πατρόν (e) για να κόψετε το άνοιγμα για την γρίλια στην γυψοσανίδα. Τα έξι "αυτιά" που υπάρχουν στο πατρόν αντιστοιχούν στην εξωτερική διάμετρο της πρόσοψής της γρίλιας και υπάρχουν μόνο για να δείχνουν το απαραίτητο διάκενο. Μην σημαδεύετε το άνοιγμα με βάση την περίμετρο (των αυτιών) αλλά με βάση τις διακεκομμένες γραμμές που ολοκληρώνουν την περίμετρο του παραλληλόγραμμου (Εικόνα 12).

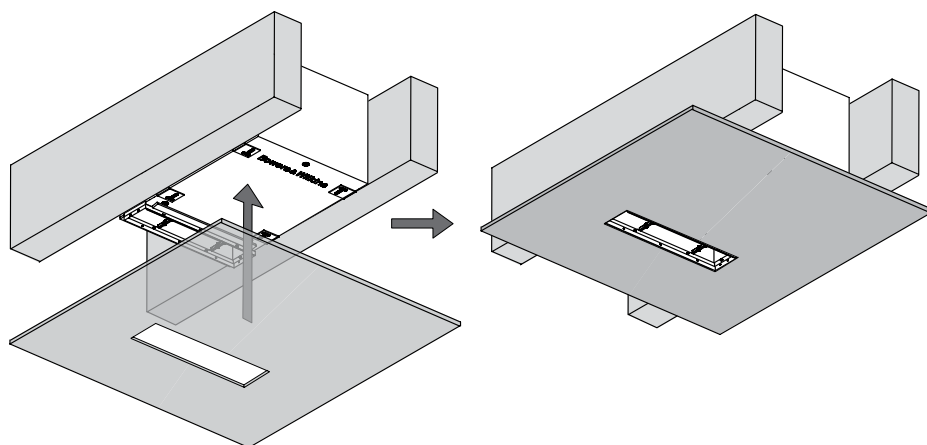


Εικόνα 12

Σε αυτό το σημείο προτείνεται να βάλετε ελαστική μαστίχη στην επιφάνεια της καμπίνας του υπογούφερ που θα ακουμπά στην ψευδοροφή, ώστε να αποφύγετε την δημιουργία τριγμών όταν το ηχείο θα λειτουργεί.

Στερεώστε το υπογούφερ στις δοκούς της οροφής και στην συνέχεια εγκαταστήστε την επιφάνεια της ψευδοροφής (Εικόνα 13).

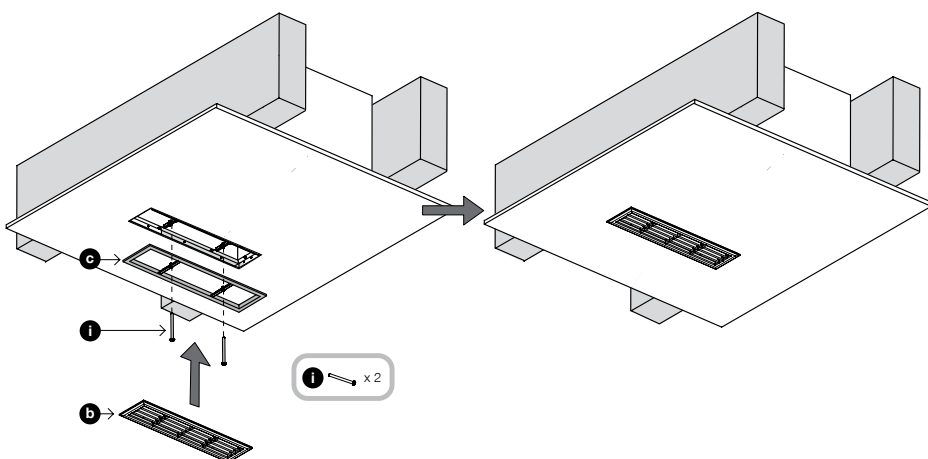
Σε αυτό το στάδιο μπορείτε να βάψετε την ψευδοροφή καθώς και την πρόσοψη της γρίλιας (b) ώστε το χρώμα της να ταιριάζει με αυτό της οροφής. Για το βάψιμο μπορείτε να χρησιμοποιήσετε οποιοδήποτε συνηθισμένο χρώμα.



Εικόνα 13

Προσαρμόστε το πλαίσιο της γρίλιας στο αντίστοιχο άνοιγμα που έχει δημιουργηθεί στην οροφή και ασφαλίστε το χρησιμοποιώντας τις δύο βίδες M3 (i), μην σφίξετε υπερβολικά το πλαίσιο στις μπάρες στερέωσης του. Το πλαίσιο της γρίλιας πρέπει να είναι ελαφρά σφιγμένο αλλά η περίμετρος του πλαισίου δεν πρέπει να είναι παραμορφωμένη ή στραβωμένη.

Κουμπώστε την πρόσοψη της γρίλιας (b) στο πλαίσιο της (c), (Εικόνα 14).



Εικόνα 14

4 Εγκατάσταση μέσα σε τοίχο

Το υπογούφερ έχει πολύ μεγάλο βάθος ώστε να μπορέσει να χωρίσει σε έναν τοίχο με συνηθισμένο πάχος (10cm/4in) αλλά μπορεί να προσαρμοστεί στο εσωτερικό επίπλων ή ντουλαπιών που έχουν το κατάλληλο βάθος και διαστάσεις. Σε αυτή την περίπτωση η απόσταση μεταξύ των επιφανειών στήριξης πρέπει να είναι τουλάχιστον 40cm (16in).

Στις περισσότερες περιπτώσεις η γρίλια θα πρέπει να τοποθετηθεί χαμηλά στον τοίχο, η καμπίνα του υπογούφερ θα πρέπει να τοποθετηθεί έτσι ώστε η έξοδος εκτόνωσης του αέρα να είναι στραμμένη προς τα κάτω.

Στα πλευρά των επιφανειών στερέωσης του υπογούφερ τραβήξτε μια γραμμή που θα σηματοδοτεί την μέση της γρίλιας (Εικόνα 15).

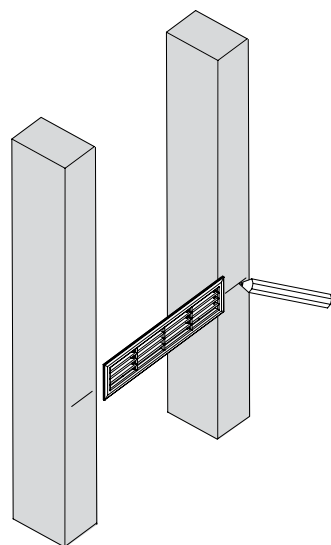
Οδεύστε καλώδιο ηχείων κατάλληλης διατομής στο σημείο εγκατάστασης. Στερεώστε το σωστά στις επιφάνειες στερέωσης ώστε να αποφευχθούν πιθανοί τριγμοί ενώ το τελικό σημείο στήριξης πρέπει να βρίσκεται κοντά στο κέντρο της γρίλιας. Αφήστε περίπου 30 έως 50cm (12in-20in) περίσσευμα καλωδίου (Εικόνα 16).

Βιδώστε τις τέσσερις γωνίες στήριξης (g) στα πλευρά της καμπίνας του υπογούφερ, χρησιμοποιώντας δύο βίδες Νο 8 x 12mm (0.5in) (h) για να στερεώσετε την κάθε γωνία. (Εικόνα 17)

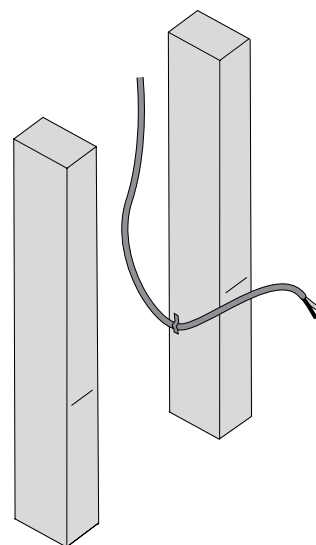
Δεν είναι κρίσιμο οι βάσεις στήριξης να τοποθετηθούν απόλυτα κάθετα αλλά βεβαιωθείτε πως έρχονται "πρόσωπο" με την πρόσοψη της καμπίνας του υπογούφερ.

Δεν είναι απαραίτητο, αλλά θα σας βοηθήσει, αν χρησιμοποιήσετε, κατά την διάρκεια της εγκατάστασης, κάποιο στήριγμα που θα φέρνει την γρίλια του υπογούφερ στο σωστό ύψος εγκατάστασης.

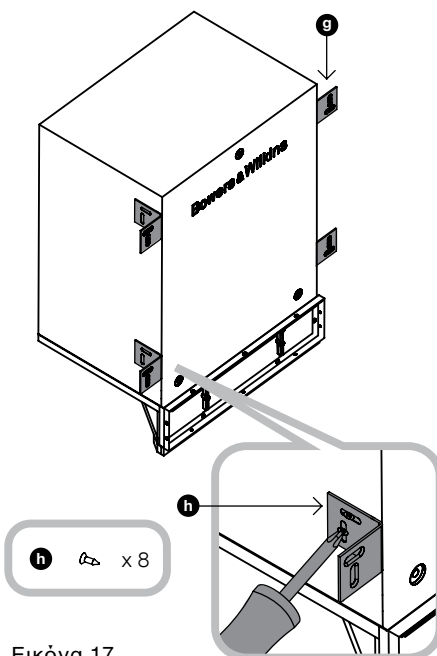
Βάλτε την καμπίνα του υπογούφερ στην επιθυμητή θέση στερέωσης (Εικόνα 18).



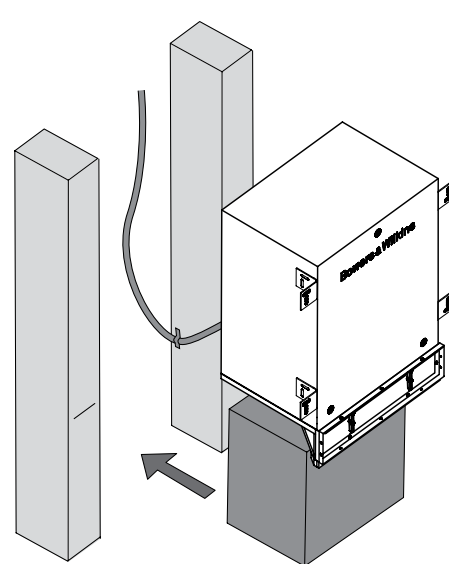
Εικόνα 15



Εικόνα 16



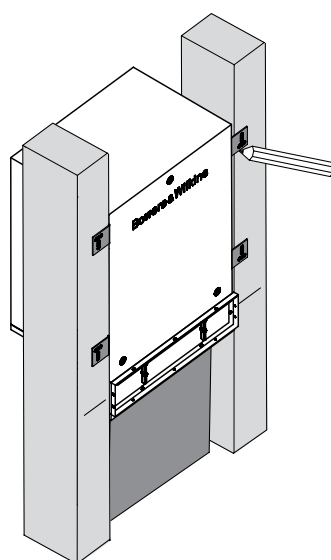
Εικόνα 17



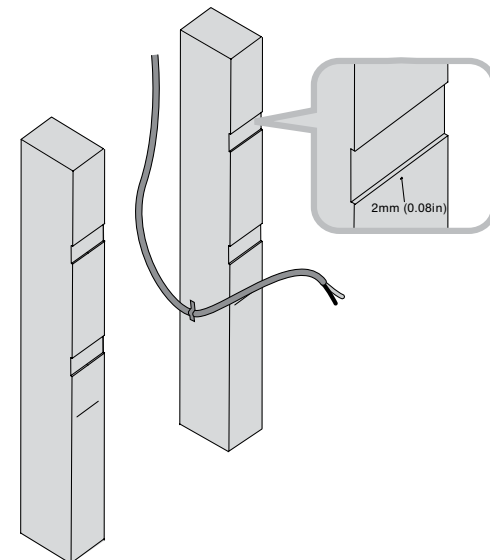
Εικόνα 18

Σημαδέψτε τα σημεία που ακουμπούν οι γωνίες στις δοκούς ή στις επιφάνειες στήριξης που θα στερεωθεί η καμπίνα (Εικόνα 19).

Αφαιρέστε την καμπίνα και δημιουργήστε "αυλάκια" (απαιτούμενο βάθος 2mm) ώστε όταν βιδωθούν οι γωνίες να μην προεξέχουν από την επιφάνεια στήριξης και να μην εμποδίζουν το βίδωμα της όποιας πρόσοψης μπροστά από την καμπίνα του υπογούφερ (Εικόνα 20).

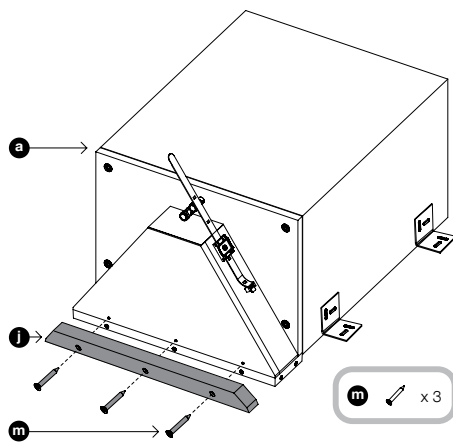


Εικόνα 19



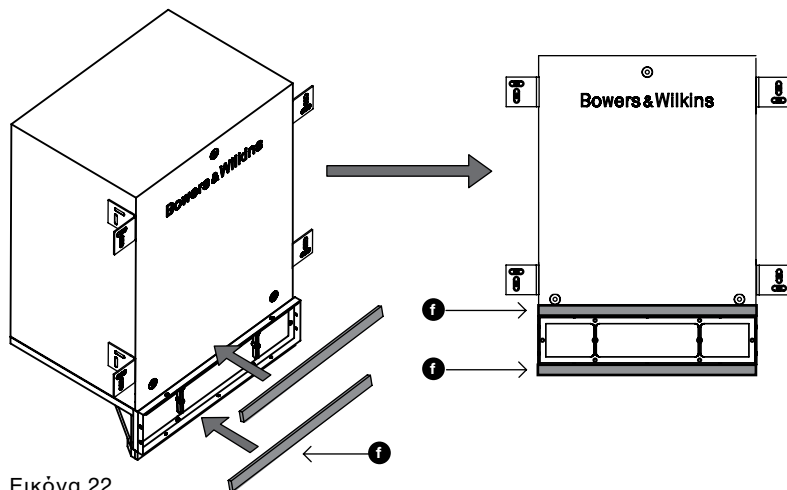
Εικόνα 20

Προσαρμόστε την μπάρα στήριξης (j) στην οπή εξόδου του ήχου του υπογούφερ χρησιμοποιώντας τις τρεις βίδες Νο6 x 25mm (m) και τις ήδη υπάρχουσες τρύπες (Εικόνα 21).



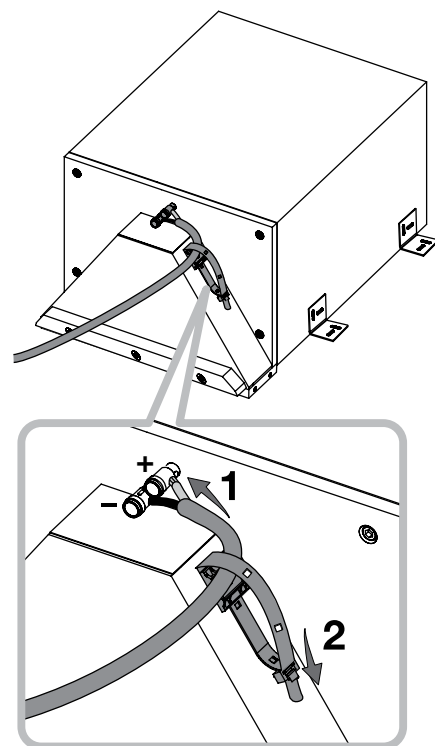
Εικόνα 21

Αφαιρέστε το προστατευτικό χαρτί και βάλτε τις δύο αυτοκόλλητες ελαστικές λωρίδες (f), μία στην μπάρα στήριξης και την άλλη στην άλλη πλευρά της γρίλιας. Οι ελαστικές λωρίδες θα ακουμπούν την γυψοσανίδα ώστε να αποφευχθεί η εμφάνιση τριγμών κατά την λειτουργία του υπογούφερ (Εικόνα 22).



Εικόνα 22

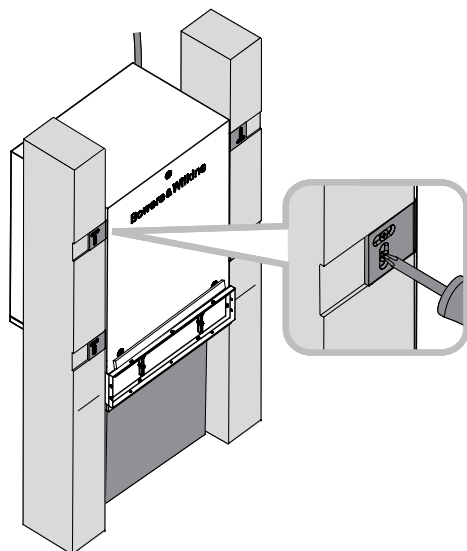
Φέρτε την καμπίνα κοντά στη θέση στερέωσης της. Στρίψτε τα άκρα του καλωδίου και συνδέστε το κάθε άκρο με τον αντίστοιχο ελατηριωτό ακροδέκτη που υπάρχει στην καμπίνα του ηχείου. Δώστε προσοχή στην σωστή πολικότητα καλωδίου – ακροδεκτών. Για να αποφύγετε συντονισμούς κατά την λειτουργία του συστήματος ασφαλίστε το περίσσευμα του καλωδίου με το δεματικό που υπάρχει, για αυτό το σκοπό, κοντά στους ακροδέκτες (Εικόνα 23).



Εικόνα 23

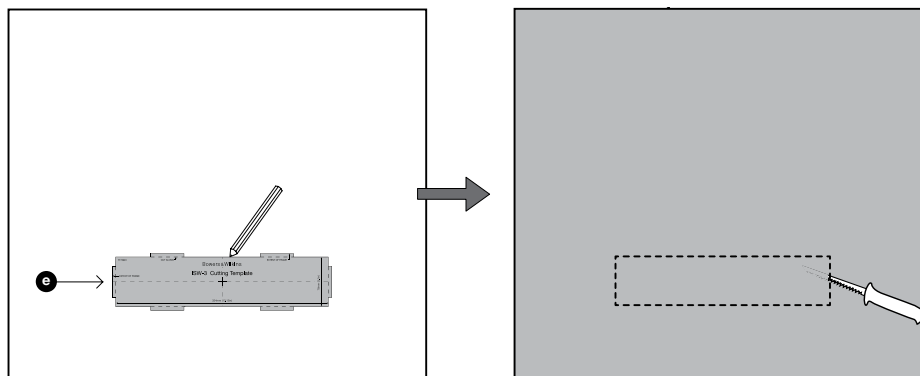
Χρησιμοποιώντας , αν θέλετε, το αντικείμενο που στηρίζει την καμπίνα βάλτε το υπογούφερ στην τελική θέση στερέωσης του προσέχοντας ώστε οι γωνίες στήριξης να “θηλυκώσουν” στις υποδοχές που έχετε δημιουργήσει. Βιδώστε τις γωνίες στήριξης στις επιφάνειες στερέωσης του (οι κατάλληλες βίδες δεν παρέχονται) (Εικόνα 24).

Όταν έχετε βιδώσει κανονικά τις γωνίες μπορείτε να αφαιρέσετε το αντικείμενο στερέωσης του υπογούφερ, αν έχετε χρησιμοποιήσει τέτοια.



Εικόνα 24

Χρησιμοποιήστε το πατρόν (e) για να κόψετε το άνοιγμα για την γρίλια στην γυψοσανίδα (η σε οποιαδήποτε επιφάνεια θα υπάρχει στην πρόσοψη). Τα έξι "αυτιά" που υπάρχουν στο πατρόν αντιστοιχούν στην εξωτερική διάμετρο της πρόσοψής της γρίλιας και υπάρχουν μόνο για να δείχνουν το απαραίτητο διάκενο. Μην σημαδεύετε το άνοιγμα με βάση την περίμετρο (των αυτιών) αλλά με βάση τις διακεκομμένες γραμμές που ολοκληρώνουν την περίμετρο του παραλληλόγραμμου (Εικόνα 25).

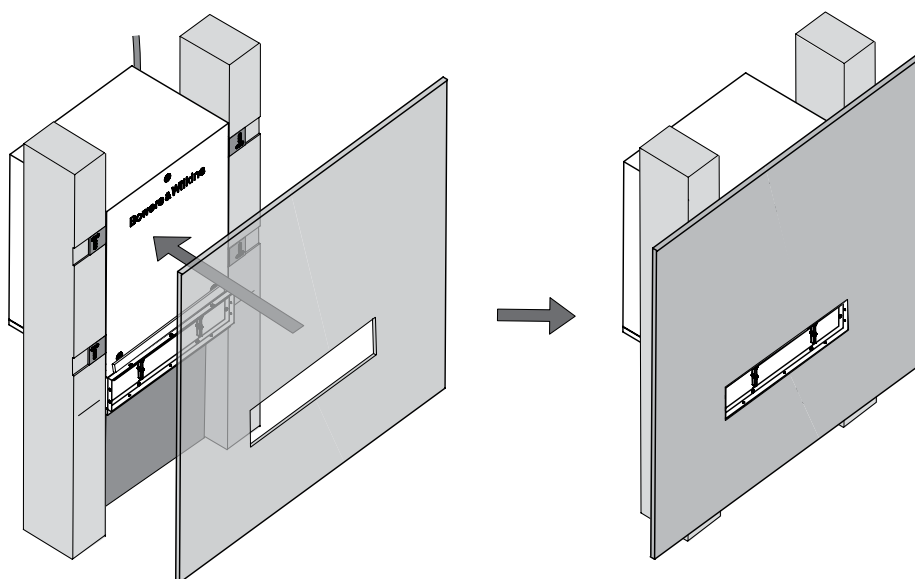


Εικόνα 25

Σε αυτό το σημείο προτείνεται να βάλετε ελαστική μαστίχη στην επιφάνεια της καμπίνας του υπογούφερ που θα ακουμπά στην πρόσοψη της εσοχής, ώστε να αποφύγετε την δημιουργία τριγμών όταν το ηχείο θα λειτουργεί.

Στερεώστε το υπογούφερ στις δοκούς του τοίχου και στην συνέχεια εγκαταστήστε την επιφάνεια φινιρίσματος του τοίχου (Εικόνα 26).

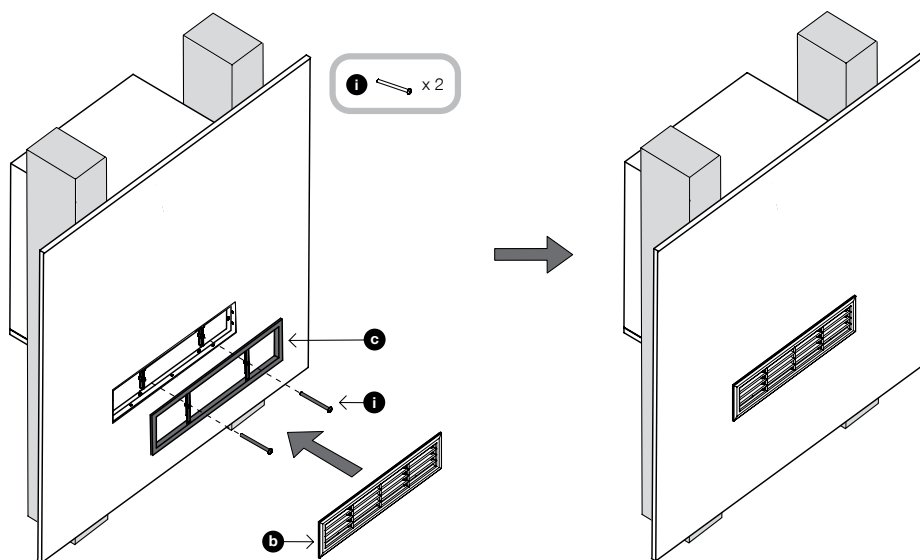
Σε αυτό το στάδιο μπορείτε να βάψετε την πρόσοψη της υποδοχής καθώς και την πρόσοψη της γρίλιας (b) ώστε το χρώμα της να ταιριάζει με αυτό της οροφής. Για το βάψιμο μπορείτε να χρησιμοποιήσετε οποιοδήποτε συνηθισμένο χρώμα.



Εικόνα 26

Προσαρμόστε το πλαίσιο της γρίλιας στο αντίστοιχο άνοιγμα που έχει δημιουργηθεί στην πρόσοψη της υποδοχής και ασφαλίστε το χρησιμοποιώντας τις δύο βίδες M3 (i), μην σφίξετε υπερβολικά το πλαίσιο στις μπάρες στερέωσής του. Το πλαίσιο της γρίλιας πρέπει να είναι ελαφρά σφιγμένο αλλά η περίμετρος του πλαισίου δεν πρέπει να είναι παραμορφωμένη ή στραβωμένη.

Κουμπώστε την πρόσοψη της γρίλιας (b) στο πλαίσιο της (c), (Εικόνα 27).



Εικόνα 27

5 Εγκατάσταση κάτω από το δάπεδο

Το υπογούφερ μπορεί να ταιριάξει μεταξύ δοκών που έχουν απόσταση μεταξύ τους ίση ή μεγαλύτερη από 40cm (16in), έτσι ώστε το εμφανές μέρος της γρίλιας να γεφυρώνει το κενό μεταξύ τους. Βάθος μεγαλύτερο των 25cm (10in) –από το άνω επίπεδο των δοκαριών, απαιτείται για να μπορέσει να χωρέσει η καμπίνα του υπογούφερ.

Αυτό το ηχείο δεν προτείνεται να εγκατασταθεί κάτω από πατώματα που θα καλύπτονται από βαρύ χαλί. Λεπτά χαλιά μπορεί να χρησιμοποιηθούν με σύνεση, αρκεί να μην καλύπτουν την γρίλια.

Στα πλευρά των επιφανειών στερέωσης του υπογούφερ (ή δοκών) τραβήξτε μια γραμμή που θα σημαδεύει τη μέση της γρίλιας (Εικόνα 28).

Οδεύστε καλώδιο ηχείων κατάλληλης διατομής στο σημείο εγκατάστασης. Στερεώστε το σωστά στις επιφάνειες στερέωσης ώστε να αποφευχθούν πιθανοί τριγμοί ενώ το τελικό σημείο στήριξης πρέπει να βρίσκεται κοντά στο κέντρο της γρίλιας. Αφήστε περίπου 30 έως 50cm (12in-20in) περίσσειμα καλωδίου (Εικόνα 29).

Βιδώστε τις τέσσερις γωνίες στήριξης (g) στα πλευρά της καμπίνας του υπογούφερ, χρησιμοποιώντας δύο βίδες No 8 x 12mm (0.5in) (h) για να στερεώσετε την κάθε γωνία. Δεν είναι κρίσιμο οι βάσεις στήριξης να τοποθετηθούν απόλυτα κάθετα αλλά βεβαιωθείτε πως έρχονται "πρόσωπο" με την πρόσοψη της καμπίνας του υπογούφερ, όταν η έξοδος εκτόνωσης του αέρα του υπογούφερ κοιτά προς τα πάνω (Εικόνα 30).

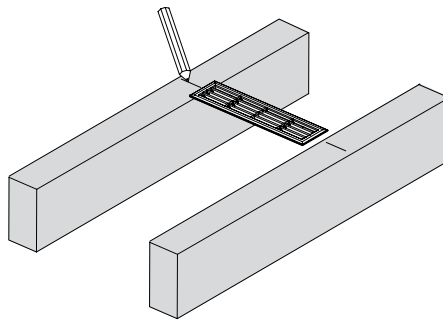
Ακουμπήστε το ηχείο έτσι ώστε οι γωνίες στερέωσης να το στηρίζουν στις δοκούς (Εικόνα 31).

Αν η απόσταση μεταξύ των δοκών είναι μεγάλη και δεν επιτρέπει την στερέωση της καμπίνας με τις γωνίες στήριξης ένας πεπειραμένος εγκαταστάτης πρέπει να επινοήσει έναν διαφορετικό τρόπο στήριξης.

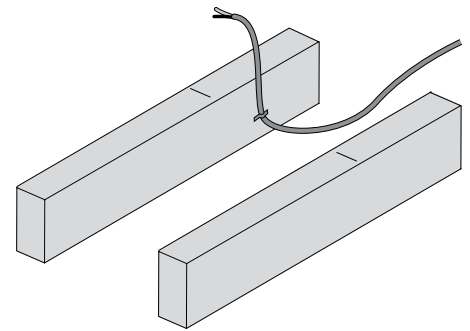
Ευθυγραμμίστε το πλαίσιο της γρίλιας με τα σημάδια στις δοκούς και βεβαιωθείτε πως είναι σωστά γωνιασμένη σε σχέση με τα όρια του δωματίου και με τις δοκούς στερέωσης.

Σημαδέψτε τα σημεία που ακουμπούν οι γωνίες στις δοκούς ή στις επιφάνειες στήριξης που θα στερεωθεί η καμπίνα. Αφαιρέστε την καμπίνα και δημιουργήστε "αυλάκια" (απαιτούμενο βάθος 2mm) ώστε όταν βιδωθούν οι γωνίες να μην προεξέχουν από την επιφάνεια στήριξης και να μην εμποδίζουν την στερέωση της επιφάνειας του δαπέδου (Εικόνα 32).

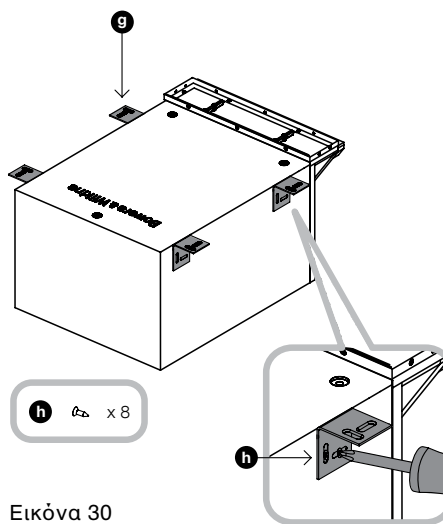
Προσαρμόστε την μπάρα στήριξης (j) στην οπή εξόδου του ήχου του υπογούφερ χρησιμοποιώντας τις τρεις βίδες Νο6 x 25mm (m) και τις ήδη υπάρχουσες τρύπες (Εικόνα 33).



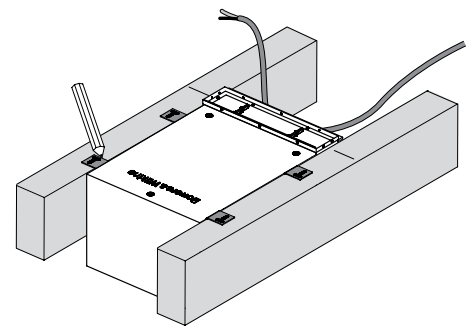
Εικόνα 28



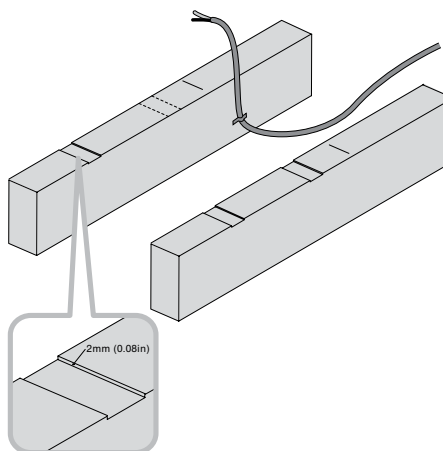
Εικόνα 29



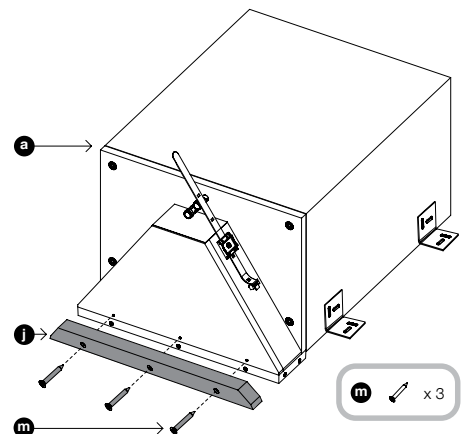
Εικόνα 30



Εικόνα 31

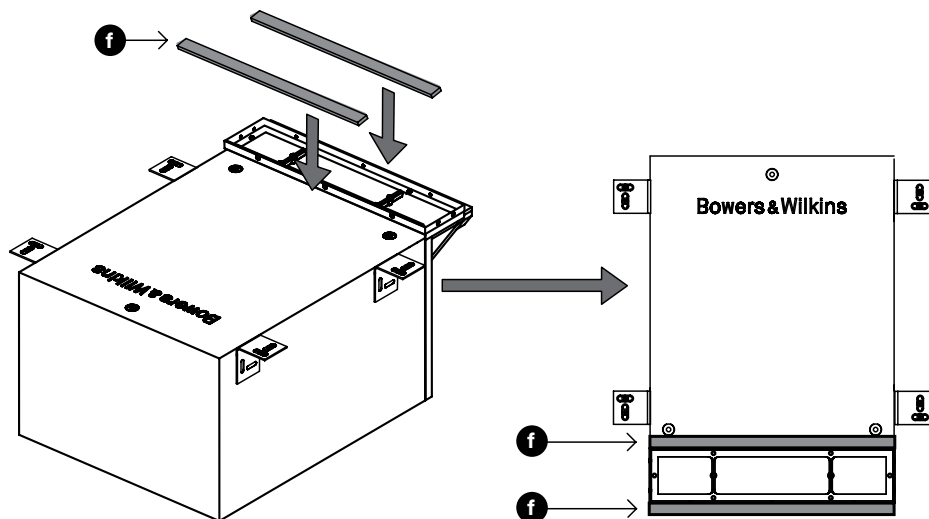


Εικόνα 32



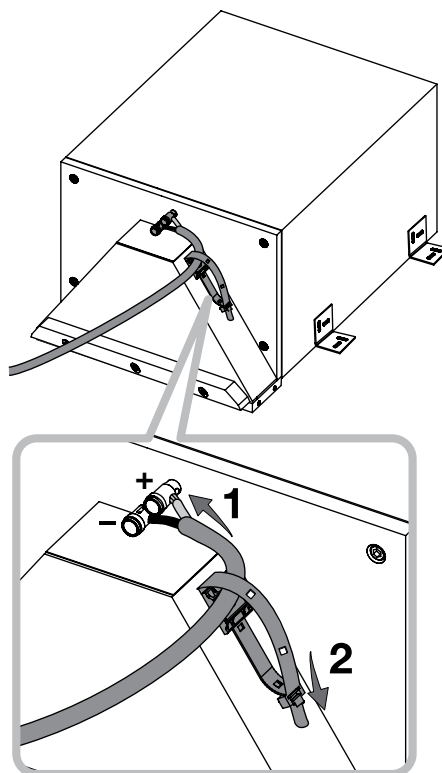
Εικόνα 33

Αφαιρέστε το προστατευτικό χαρτί και βάλτε τις δύο αυτοκόλλητες ελαστικές λωρίδες (f), μία στην μπάρα στήριξης και την άλλη στην άλλη πλευρά της γρίλιας. Οι ελαστικές λωρίδες θα ακουμπούν την επιφάνεια του δαπέδου ώστε να αποφευχθεί η εμφάνιση τριγμών κατά την λειτουργία του υπογούφερ (Εικόνα 34).



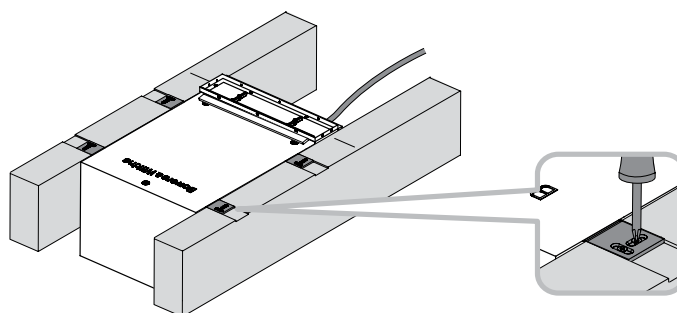
Εικόνα 34

Φέρτε την καμπίνα κοντά στη θέση στερέωσης της. Στρίψτε τα άκρα του καλωδίου και συνδέστε το κάθε άκρο με τον αντίστοιχο ελατηριωτό ακροδέκτη που υπάρχει στην καμπίνα του ηχείου. Δώστε προσοχή στην σωστή πολικότητα καλωδίου – ακροδεκτών. Για να αποφύγετε συντονισμούς κατά την λειτουργία του συστήματος ασφαλίστε το περίσσευμα του καλωδίου με το δεματικό που υπάρχει για αυτό το σκοπό κοντά στους ακροδέκτες (Εικόνα 35).



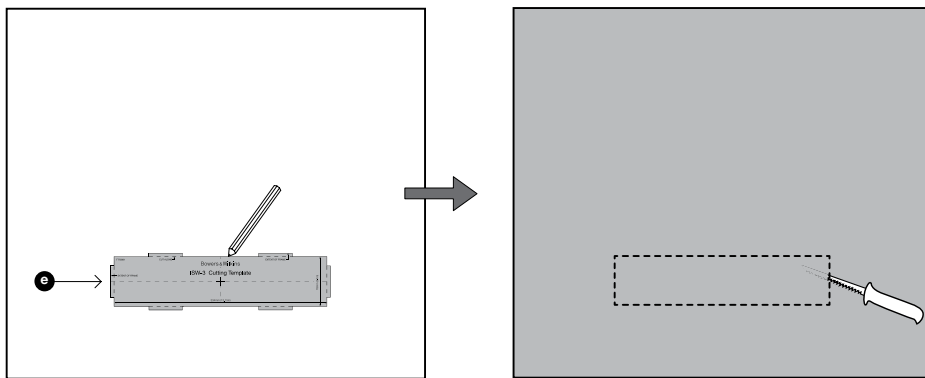
Εικόνα 35

Βάλτε το υπογούφερ στην τελική θέση στερέωσης του προσέχοντας ώστε οι γωνίες στήριξης να “θηλυκώνουν” στις υποδοχές που έχετε δημιουργήσει. Βιδώστε τις γωνίες στήριξης στις επιφάνειες στερέωσής τους (οι κατάλληλες βίδες δεν παρέχονται) (Εικόνα 36).



Εικόνα 36

Αν η επιφάνεια του δαπέδου αποτελείται από φύλλα (μεγάλες επιφάνειες) χρησιμοποιήστε το πατρόν (e) για να κόψετε το άνοιγμα για την γρίλια στην αντίστοιχη επιφάνεια του δαπέδου. Τα έξι “αυτιά” που υπάρχουν στο πατρόν αντιστοιχούν στην εξωτερική διάμετρο της πρόσοψης της γρίλιας και υπάρχουν μόνο για να δείχνουν το απαραίτητο διάκενο. Μην σημαδεύετε το άνοιγμα με βάση την περίμετρο (των αυτιών) αλλά με βάση τις διακεκομμένες γραμμές που ολοκληρώνουν την περίμετρο του παραλληλόγραμμου (Εικόνα 37).



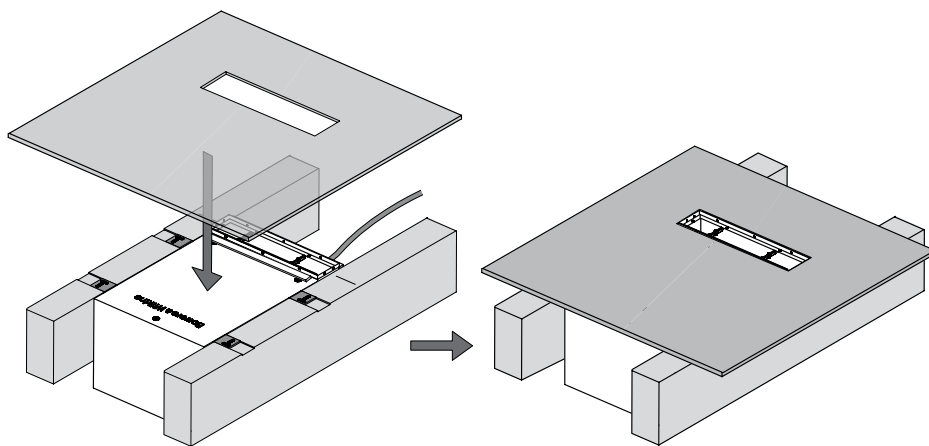
Εικόνα 37

Σε αυτό το σημείο προτείνεται να βάλετε ελαστική μαστίχη στην επιφάνεια της καμπίνας του υπογούφερ που θα ακουμπά επιφάνεια του δαπέδου, ώστε να αποφύγετε την δημιουργία τριγμών όταν το ηχείο θα λειτουργεί.

Αν το πάτωμα αποτελείται από φύλλα τοποθετήστε πρώτα το φύλλο στο οποίο έχετε κόψει το άνοιγμα της γρίλιας.

Αν το δάπεδο θα αποτελείται από σανίδες ή παρκέ στερεώστε πρώτα τα κομμάτια γύρω από την γρίλια.

Αν χρειάζεται (δείτε τα σχόλια στην αρχή του κεφαλαίου) βάλτε την μοκέτα κόβοντας το κατάλληλο άνοιγμα γύρω από την γρίλια. Στερεώστε το υπογούφερ στις δοκούς και στην συνέχεια εγκαταστήστε την επιφάνεια φινιρίσματος (Εικόνα 38).

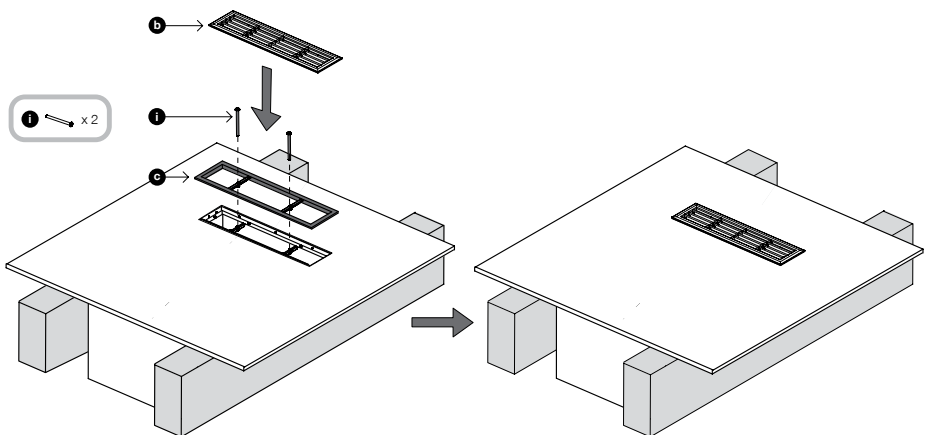


Εικόνα 38

Σε αυτό το στάδιο μπορείτε να βάψετε το πλαίσιο της γρίλιας ώστε το χρώμα της να ταιριάζει με αυτό του δαπέδου ή της μοκέτας. Για το βάψιμο μπορείτε να χρησιμοποιήσετε οποιοδήποτε συνηθισμένο χρώμα.

Προσαρμόστε το πλαίσιο της γρίλιας στο αντίστοιχο άνοιγμα που έχει δημιουργηθεί στο δάπεδο και ασφαλίστε το χρησιμοποιώντας τις δύο βίδες M3 (i), μην σφίξετε υπερβολικά το πλαίσιο στις μπάρες στερέωσης του. Το πλαίσιο της γρίλιας πρέπει να είναι ελαφρά σφιγμένο αλλά η περίμετρος του πλαισίου δεν πρέπει να είναι παραμορφωμένη ή στραβωμένη.

Κουμπώστε την πρόσοψη της γρίλιας (b) στο πλαίσιο της (c), (Εικόνα 39).



Εικόνα 39

6 Εγκατάσταση σε ντουλάπι κουζίνας


Το υπογούφερ μπορεί να ακουμπά στο κάτω μέρος ενός ραφίου σε ένα ντουλάπι της κουζίνας. Η οπή εκτόνωσης του αέρα της καμπίνας του υπογούφερ μπορεί να εγκατασταθεί στο κενό χώρο, κάτω από το ντουλάπι και η γρίλια να στερεωθεί πρόσωπο με το διακοσμητικό προφίλ (μπάζα) στο κάτω μέρος των ντουλαπιών.

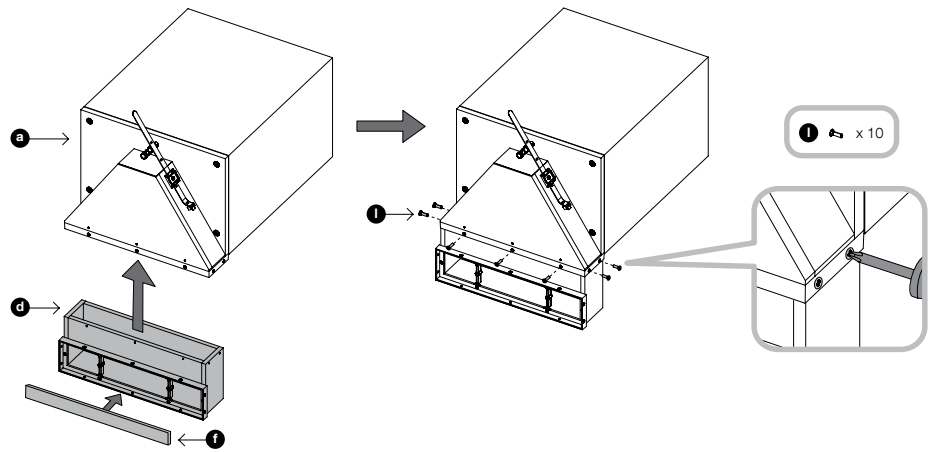
Αφαιρέστε το προστατευτικό χαρτί και στερεώστε τη μια ελαστική λωρίδα (f) στην προέκταση προσαρμογής της γρίλιας, στο χείλος του πλαισίου της γρίλιας.

Προσαρμόστε την προέκταση προσαρμογής της γρίλιας (d) στο πλαίσιο της γρίλιας στην καμπίνα του υπογούφερ, βιδώνοντας τις 10 βίδες Νο.4 x 10mm (l) στις τρύπες που ήδη υπάρχουν (Εικόνα 40).

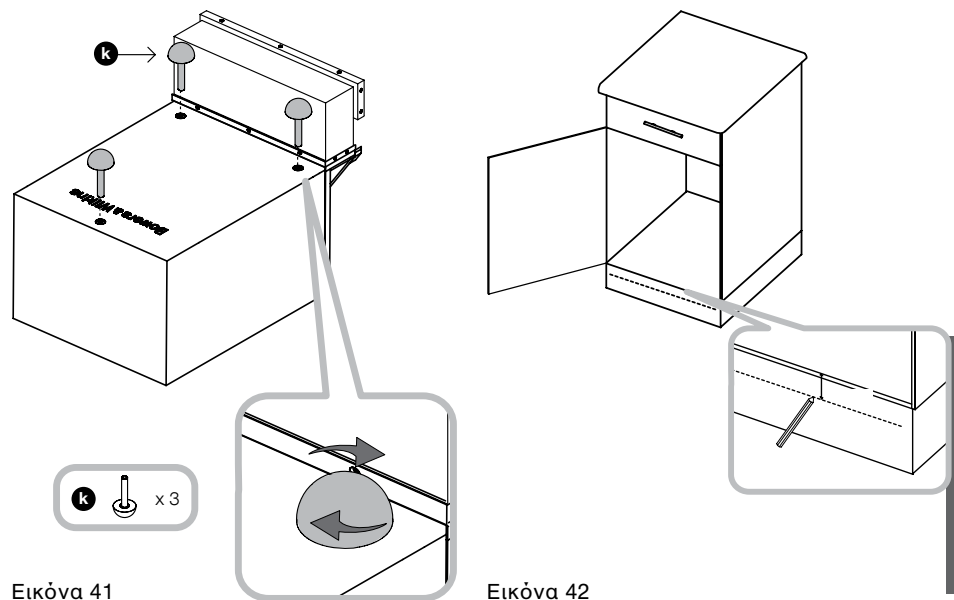
Υπάρχει ένα αφρώδες χείλος στο πλαίσιο της γρίλιας που είναι προσαρμοσμένο στην προέκταση προσαρμογής της. Αυτό το αφρώδες πλαίσιο πρέπει να συμπιεστεί όταν η επέκταση της προσαρμογής βιδώνεται με τις βίδες. Τα δύο κομμάτια θα είναι σωστά συναρμολογημένα όταν το αφρώδες πλαίσιο θα έχει συμπιεστεί αρκετά.

Βεβαιωθείτε πως τα παξιμάδια ασφάλισης έχουν πλήρως βιδωθεί στο σπειρώμα που υπάρχει στα ελαστικά πόδια (k) και βιδώστε τα τρία ελαστικά πόδια στα σπειρώματα που υπάρχουν στην βάση του υπογούφερ (Εικόνα 41).

 Κάντε ένα σημάδι 30mm (1.2in) κάτω από το κάτω μέρος του ντουλαπιού, στο διακοσμητικό τελείωμα των ντουλαπιών. Το πάνω μέρος του κοψίματος δεν πρέπει να ξεπερνά την γραμμή που σημαδεύατε (Εικόνα 42).




Εικόνα 40



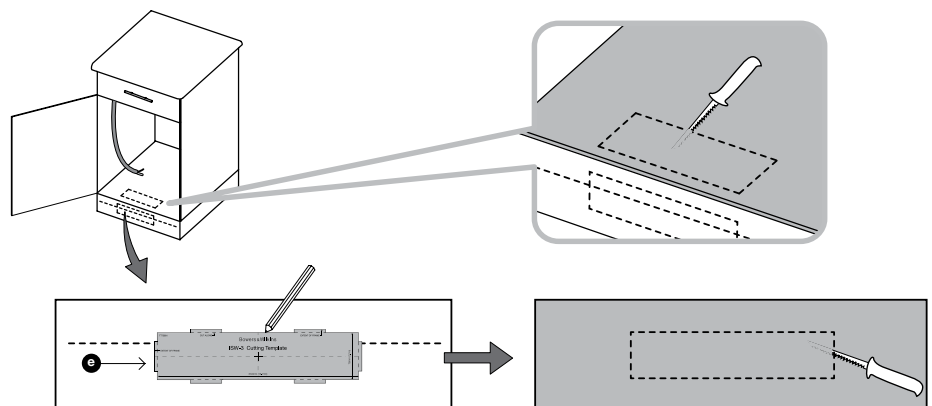
Εικόνα 41

Εικόνα 42

 Χρησιμοποιώντας το πατρόν σημαδεύστε τις τρύπες. Βεβαιωθείτε πως το πάνω μέρος του πατρόν είναι πάνω από το σημάδι που έχετε κάνει προηγουμένως, βεβαιωθείτε επίσης πως τα δύο πλαίσια που σημαδεύετε είναι ευθυγραμμισμένα μεταξύ τους.

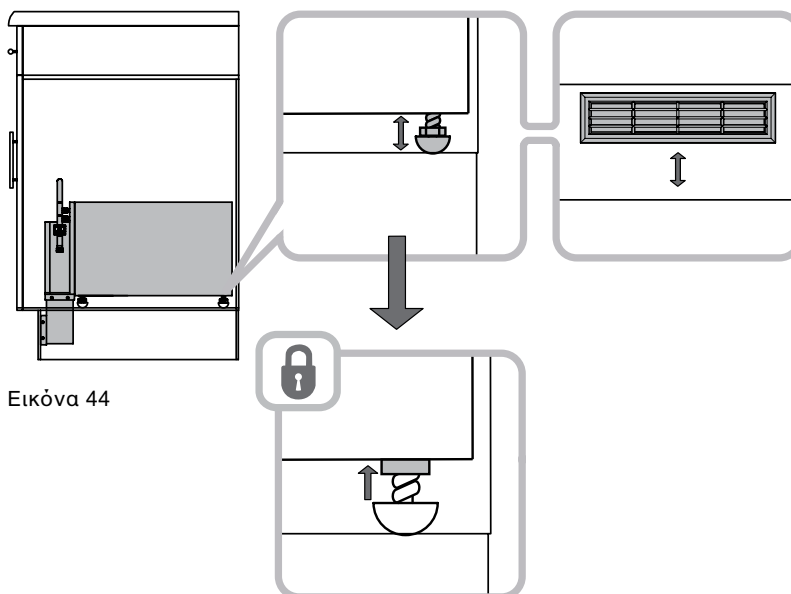
Κόψτε τις δύο τρύπες ώστε να μπορεί να μπει η προέκταση προσαρμογής της γρίλιας. Η εμπρός πλευρά της τρύπας στο ράφι πρέπει να είναι "πρόσωπο" με το πίσω μέρος του πάνελ (Εικόνα 43).

Οδεύστε καλώδιο ηχείων με κατάλληλη διατομή στο σημείο εγκατάστασης του υπογούφερ.



Εικόνα 43

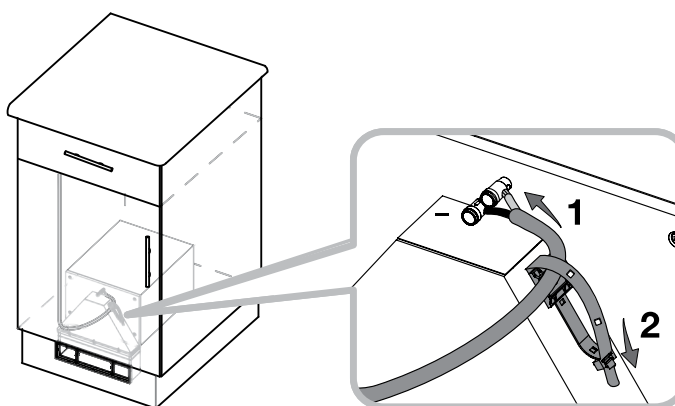
Τοποθετείστε το υπογούφερ στο ράφι του ντουλαπιού. Ξεβιδώστε τα ελαστικά πόδια όσο απαιτείται ώστε να ευθυγραμμίσετε την προέκταση προσαρμογής της γρίλιας με την τρύπα που έχετε κάνει στην “μπάζα” του ντουλαπιού. Κρατώντας τα ελαστικά πόδια σταθερά, βιδώστε τα παξιμάδια που ασφαλίζουν το σπείρωμα, ώστε το υπογούφερ να παραμένει στη θέση του (Εικόνα 44).



Εικόνα 44

Στρίψτε τα άκρα του καλωδίου και συνδέστε το κάθε άκρο με τον αντίστοιχο ελατηριωτό ακροδέκτη που υπάρχει στην καμπίνα του ηχείου. Δώστε προσοχή στην σωστή πολικότητα καλωδίου – ακροδεκτών. Για να αποφύγετε συντονισμούς κατά την λειτουργία του συστήματος ασφαλίστε το περίσσευμα του καλωδίου με το δεματικό που υπάρχει για αυτό το σκοπό κοντά στους ακροδέκτες (Εικόνα 45).

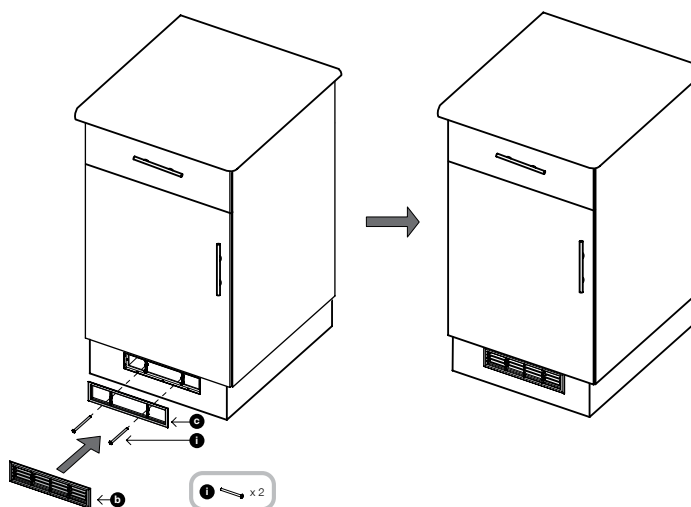
Αν το επιθυμείτε μπορείτε να βάψετε το πλαίσιο της γρίλιας.



Εικόνα 45

Προσαρμόστε το πλαίσιο της γρίλιας στο αντίστοιχο άνοιγμα που έχει δημιουργηθεί στο διακοσμητικό τελείωμα των ντουλαπιών (μπάζα) και ασφαλίστε το χρησιμοποιώντας τις δύο βίδες M3 (i), μην σφίξετε υπερβολικά το πλαίσιο στις μπάρες στερέωσης του. Το πλαίσιο της γρίλιας πρέπει να είναι ελαφρά σφιγμένο αλλά η περίμετρος του πλαισίου δεν πρέπει να είναι παραμορφωμένη ή στραβωμένη.

Κουμπώστε την πρόσοψη της γρίλιας (b) στο πλαίσιο της (c), (Εικόνα 46).



Εικόνα 46

7 Πρώτες ώρες λειτουργίας

Η απόδοση του ηχείου μπορεί να μεταβληθεί λίγο κατά τις πρώτες ώρες λειτουργίας του. Αν το ηχείο έχει αποθηκευτεί σε ψυχρό περιβάλλον, τα ελαστικά υλικά των αναρτήσεων του κώνου θα χρειαστούν λίγο καιρό προκειμένου να επανακτήσουν τις επιθυμητές ιδιότητες τους. Επίσης οι αναρτήσεις του μεγαφώνου θα αποκτήσουν μεγαλύτερη ενδοτικότητα κατά τη διάρκεια των πρώτων ωρών λειτουργίας. Το διάστημα στρωσίματος του ηχείου ποικίλει ανάλογα με τις συνθήκες αποθήκευσης του και τον τρόπο χρήσης του. Σε γενικές γραμμές να έχετε υπόψη σας πως το χρονικό διάστημα μιας εβδομάδας και περί τις 15 ώρες συνεχούς λειτουργίας αρκούν, για να σταθεροποιήσουν τα χαρακτηριστικά λειτουργίας του ηχείου και να αποκτήσει τα επιθυμητά χαρακτηριστικά. Μεγαλύτερες περίοδοι "στρωσίματος" (μήνας) δεν έχουν πρακτικό αντίκρυσμα και οι αλλαγές που επισημαίνονται έχουν να κάνουν περισσότερο με το γεγονός πως ο ακροατής συνηθίζει τον ηχητικό χαρακτήρα του ηχείου.

Μπορεί να επιθυμείτε να αναθεωρήσετε τις ρυθμίσεις όταν το υπογούφερ έχει λειτουργήσει αρκετές ώρες.

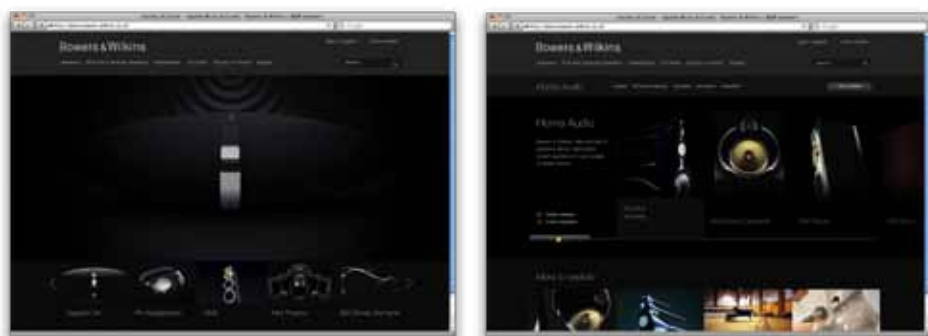
8 Φροντίδα μετά την εγκατάσταση

Το υπογούφερ δεν απαιτεί καμία συντήρηση, άλλη από το περιοδικό καθάρισμα της γρίλιας από σκόνη.

Αν το υπογούφερ έχει εγκατασταθεί κάτω από το πάτωμα, περιοδικά αφαιρέστε την γρίλια και με μια ηλεκτρική σκούπα αφαιρέστε οποιαδήποτε σκουπίδια τυχόν έχουν πέσει μέσα στην οπή (Εικόνα 35).

Добро пожаловать и благодарим вас за приобретение сабвуфера компании Bowers & Wilkins.

Наш основатель, Джон Бауэрс, верил в то, что творческий подход в проектировании, новаторская конструкция и передовые технологии смогут открыть людям путь к подлинному звучанию в доме. Мы продолжаем разделять его веру, и она вдохновляет нас при проектировании всех новых продуктов.



1 Содержимое упаковки

Проверьте, что вы имеете все перечисленные компоненты, показанные на Figure 1:

- a. Сабвуфер
- b. Решетка (жалюзи) (белая)
- c. Решетка (жалюзи) (черная)
- d. Удлинитель раструбы
- e. Шаблон для вырезания проема
- f. Прокладки уплотнительные
- g. Угловые скобы для крепления
- h. Болты No.8 x 12 мм (0.5in)
- i. Болты M3 x 35mm (1.38in) с круглыми головками
- j. Опорный стержень
- k. Резиновые ножки и контргайки
- l. Болты No.4 x 10mm (0.38in) саморезы (csk)
- m. Болты No.6 x 25mm (1in) саморезы (csk)

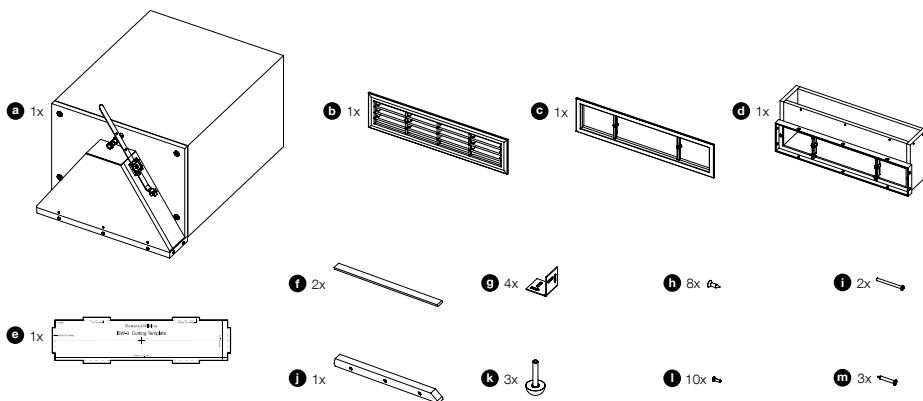


Figure 1

Кроме того, у вас должно быть «Краткое руководство по запуску» (Quick Start Guide) и гарантийный талон. Эта инструкция более подробная, чем «Краткое руководство по запуску».

Если каких-то деталей не хватает или они повреждены, обратитесь к своему дилеру.

2 Применения

Имеются четыре возможных варианта применения, каждый из которых рассматривается в своем разделе:

Потолочный – только в новых домах (Figure 2)
Переходите в Раздел 3.

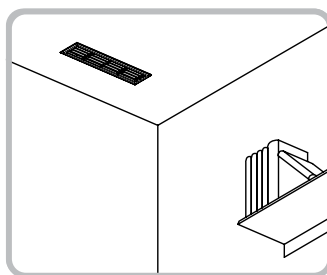


Figure 2

Встройка в стену – только в новых домах (Figure 3)
Переходите в Раздел 4.

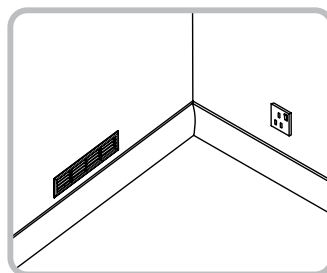


Figure 3

Под полом (Figure 4)
Переходите в Раздел 5.

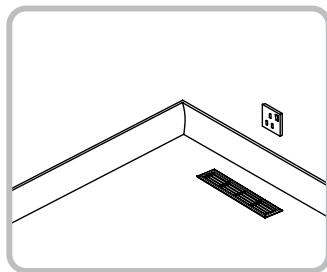


Figure 4

В кухонной тумбочке (Figure 5)
Переходите в Раздел 6.

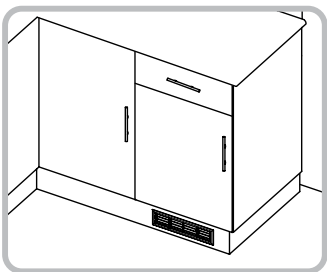


Figure 5

3 Установка в потолок

Сабвуфер размещается между перегородками со стандартным расстоянием в 40 см (16in) или более, так что видимая часть его жалюзи заполняет зазор между ними. Необходимо оставить свободное пространство в 25 мм (1in) или более между корпусом сабвуфера и нижней поперечной перегородкой.

Отметьте центральную ось желаемого размещения жалюзи на боковой поверхности перегородок с каждой стороны. Сделайте еще две пометки на обеих перегородках на высоте приблизительно 75 мм (3in) и 380 мм (15in) от центра жалюзи – для уголковых скоб, крепящих корпус (Figure 6).

Прикрепите четыре L-образных скобы (g), как показано на рисунке, к внутренней вертикальной стороне перегородок (шурупы для этого не прилагаются), убедившись, что скобы стоят под прямым углом и заподлицо с дном перегородок.

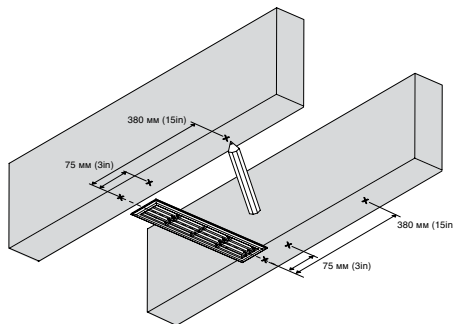


Figure 6

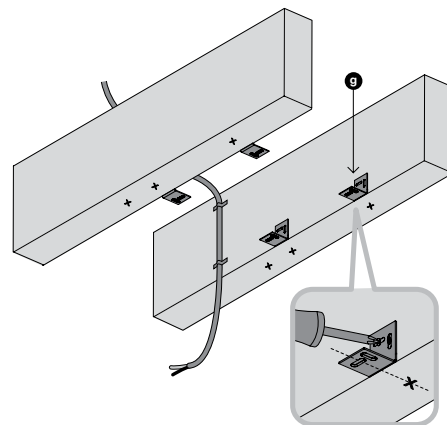


Figure 7

Проложите колоночные кабели необходимого сечения до точки установки. Зафиксируйте их на перегородках, так чтобы они не вибрировали, при этом последняя точка крепления должна быть близко к помеченной центральной линии жалюзи около верхушки перегородки. Оставьте свободный конец кабеля длиной приблизительно 30 – 50 см (12in – 20in) в конце (Figure 7).

Прикрепите опорный стержень (j) к хомуту, с помощью трех болтов No.6 x 25 мм (m) и предварительно просверленных отверстий (Figure 8).

Снимите защитный слой бумаги и наложите две самоклеящиеся уплотнительные прокладки (f), одну на опорный стержень, а другую – на корпус с другой стороны рамы для жалюзи. Эти резиновые прокладки служат для виброизоляции гипсокартонных панелей, чтобы предотвратить их дребезг (Figure 9).

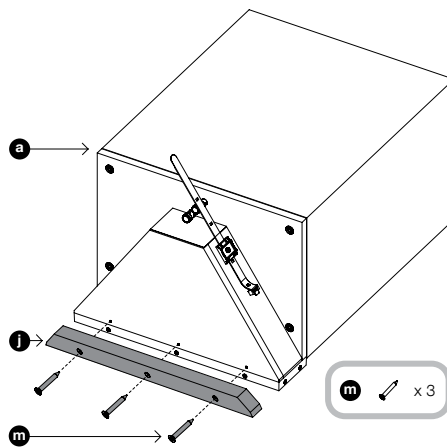


Figure 8

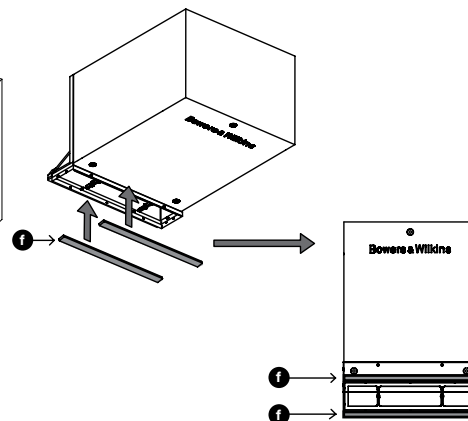


Figure 9

Поднимите сабвуфер так, чтобы он лег, как показано на рисунке, на четыре L-образных скобы. Если расстояние между перегородками слишком велико, чтобы можно было пропустить шурупы через скобы и попасть в корпус, установщику потребуется придумать другой подходящий метод крепления.

Совместите центр выходных жалюзи с метками на перегородках и выровняйте их положение по стенам.

Закрепите корпус в этом положении с помощью шурупов саморезов No.8 x 12 мм (h), пропущенных через L-образные скобы и завинчиваемых в корпус (Figure 10).

Рамка жалюзи будет при этом выступать за нижние поверхности перегородок.

Зачистите концы кабеля и соедините их с пружинными разъемами на корпусе, соблюдая при этом полярность.

Чтобы предотвратить дребезг, закрепите лишний конец кабеля с помощью стяжки к сабвуферу (Figure 11).

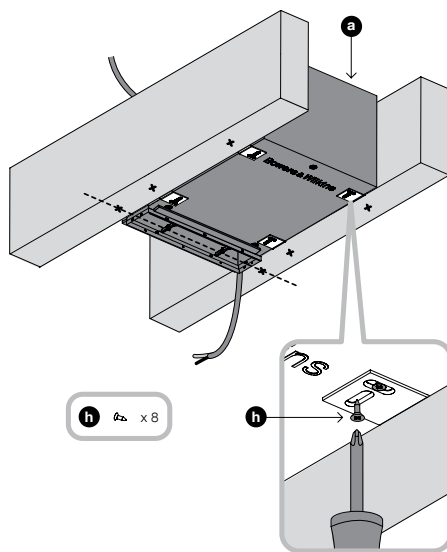


Figure 10

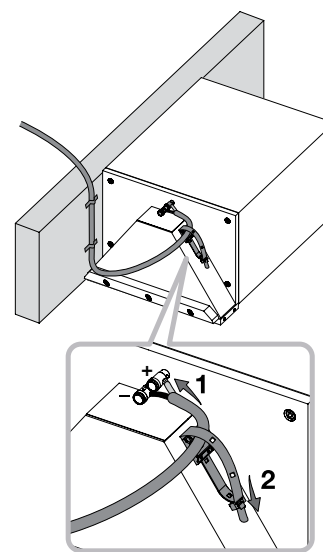


Figure 11

Используйте шаблон (е) для того, чтобы наметить контур проема в гипсокартонной плите. Шесть выступов шаблона соответствуют внешним размерам решетки с жалюзи и сделаны только для того, чтобы показать необходимые габариты. Не размечайте контур по этим выступам, а обведите чертеж по пунктирным линиям, которые их отсекают (Figure 12).

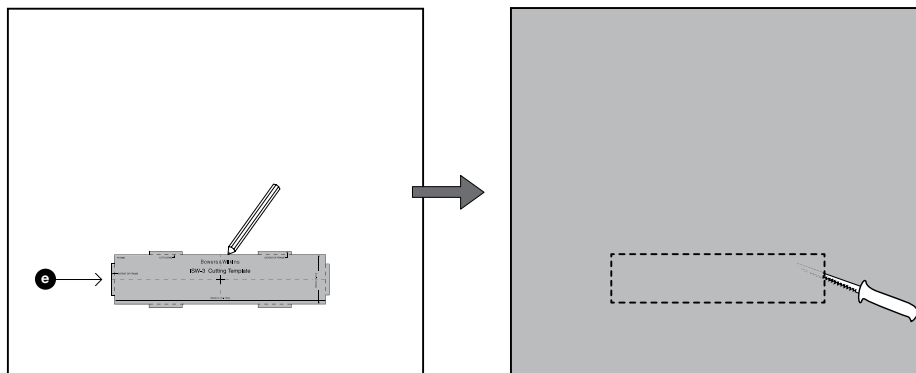


Figure 12

На этом этапе вы можете нанести мягкую мастику на лицевую поверхность корпуса сабвуфера, чтобы предотвратить дребезг об потолочные панели.

Прикрепите гипсокартонные панели к потолочным перегородкам (Figure 13) и нанесите окончательную шпаклевку.

На этом этапе покрасьте потолок и, если хотите, можете выкрасить молдинг решетки жалюзи (b) в такой же цвет. Эта деталь хорошо покрывается обычными красками для стен.

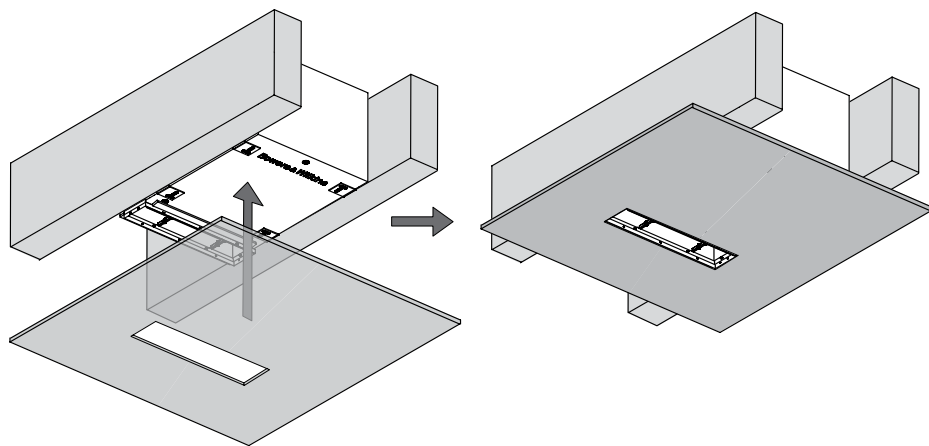


Figure 13

Приставьте жалюзи (c) спереди к проему и прикрепите их к рамке с помощью двух болтов М3 (i) пропущенных через две поперечины. Не перетягивайте эти болты. Две поперечины должны слегка прогнуться, но их окружение не должно искривиться, иначе рамка не совпадет с жалюзи.

Наденьте жалюзи (b) на лицевую панель (c) (Figure 14).

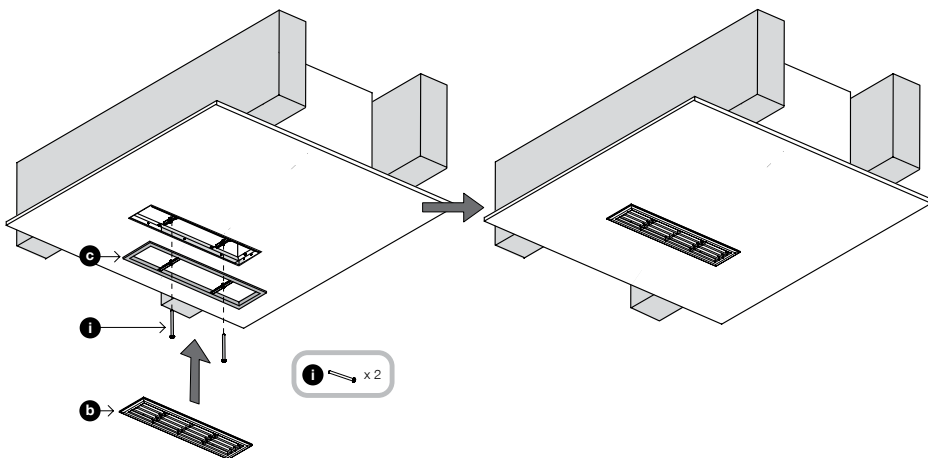


Figure 14

4 Установка в стену

У сабвуфера слишком большая глубина, чтобы он уместился в стандартное застенное пространство размером 100 мм (4in), однако его можно встроить в заказную мебель или чулан, подходящий по глубине, где между перегородками или стенками имеется стандартное расстояние 40 см или более.

В большинстве ситуаций, видимая часть решетки должна находиться в нижней части стены, прямо над плинтусом. В таком случае корпус следует ориентировать выходным раструбом вниз.

Отметьте центральную ось желаемого размещения жалюзи на фронтальной поверхности перегородок с каждой стороны сабвуфера (Figure 15).

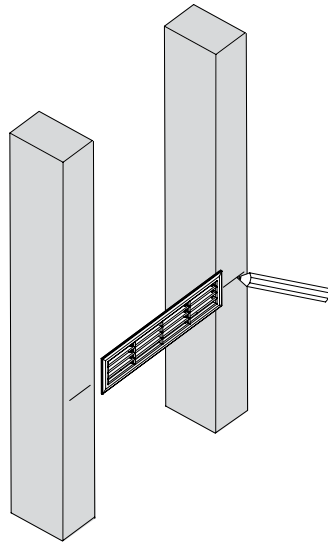


Figure 15

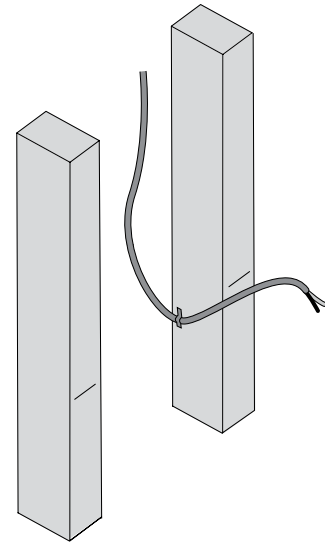


Figure 16

Проложите колоночные кабели необходимого сечения до точки установки. Зафиксируйте их на перегородках, так чтобы они не вибрировали, при этом последняя точка крепления должна быть близко к помеченной центральной линии жалюзи. Оставьте свободный конец кабеля длиной приблизительно 30 – 50 см (12in – 20in) в конце (Figure 16).

Прикрепите четыре L-образных скобы (g), как показано на рисунке, к боковым поверхностям сабвуфера с помощью двух шурупов (h) No.8 x 12 мм (0.5in) на каждую скобу (Figure 17). Расположение скоб по вертикали не критично, однако убедитесь, что скобы стоят заподлицо с фронтальной плоскостью корпуса.

Задача подгонки и установки сабвуфера облегчается, если вы временно подопрете его снизу чем-нибудь так, чтобы решетка жалюзи оказалась на нужной высоте.

Задвиньте сабвуфер вглубь в желаемое положение для монтажа (Figure 18).

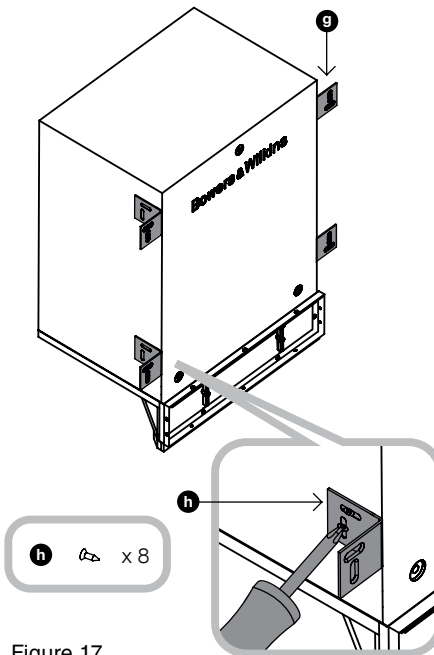


Figure 17

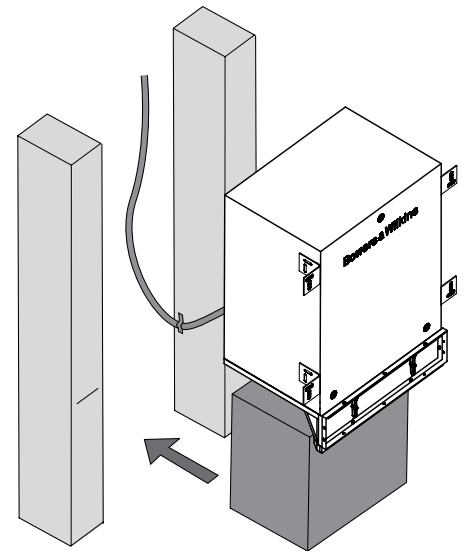


Figure 18

Нанесите контуры скоб на фронтальных сторонах перегородок. (Figure 19)

Затем выньте обратно сабвуфер и выдолбите в перегородках по прочерченным линиям углубления на 2 мм (0.08 in), как показано на рисунке, так чтобы скобы не торчали из них при установке (Figure 20).

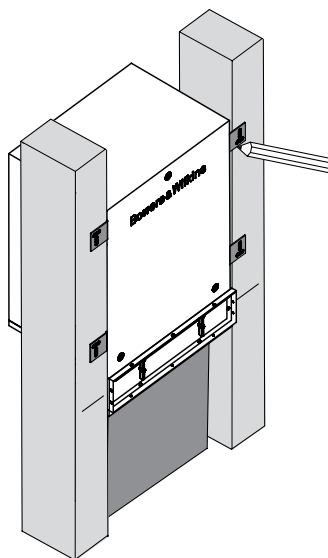


Figure 19

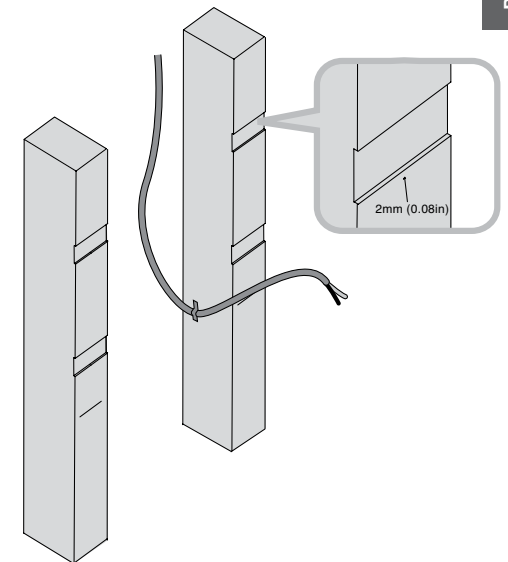


Figure 20

Прикрепите опорный стержень (j) к верхушке раструба с помощью трех болтов No.6 x 25 мм (m) (1in), вставленных в предварительно просверленные направляющие отверстия (Figure 21).

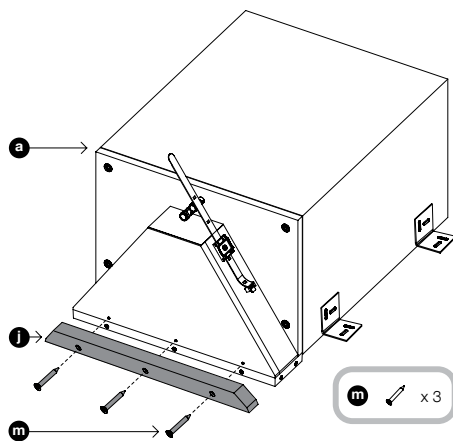


Figure 21

Снимите защитный слой бумаги и наложите две самоклеящихся уплотнительные прокладки (f), одну на опорный стержень, а другую – на корпус с другой стороны рамы для жалюзи. Эти резиновые прокладки служат для виброизоляции гипсокартонных панелей, чтобы предотвратить их дребезг (Figure 22).

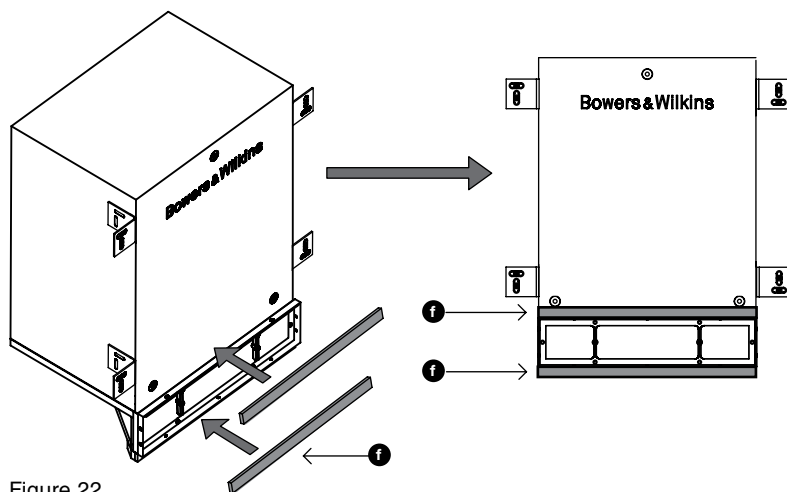


Figure 22

Установите сабвуфер поблизости от намеченного положения. Зачистите концы кабеля и соедините их с пружинными разъемами на корпусе, соблюдая при этом полярность. Чтобы предотвратить дребезг, закрепите лишний конец кабеля на сабвуфере с помощью стяжки (Figure 23).

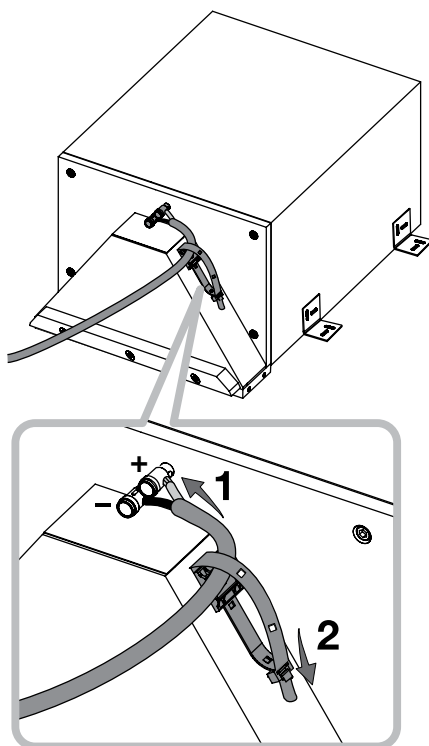


Figure 23

Используя подставку, если это необходимо, задвиньте сабвуфер на место, так чтобы скобы попали в выемки для них. Прикрепите скобы шурупами к перегородкам (шурупы для этого не прилагаются) (Figure 24).

Когда вы надежно зафиксировали сабвуфер, можно убрать временную подставку.

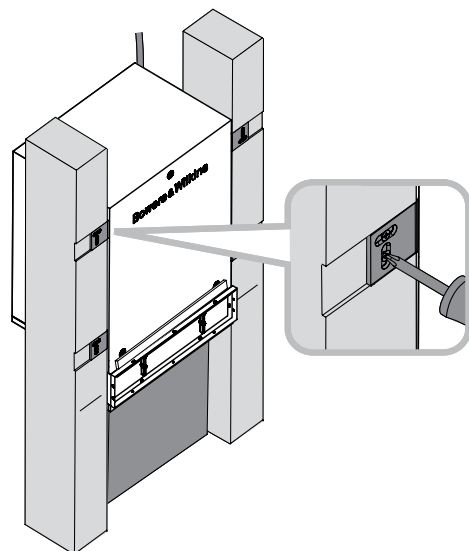


Figure 24

Используйте шаблон (e) для того, чтобы наметить контур проема в гипсокартонной панели. Шесть выступов шаблона соответствуют внешним размерам решетки с жалюзи и сделаны только для того, чтобы показать необходимые габариты. Не размечайте контур по этим выступам, а обведите чертеж по пунктирным линиям, которые их отсекают (Figure 25).

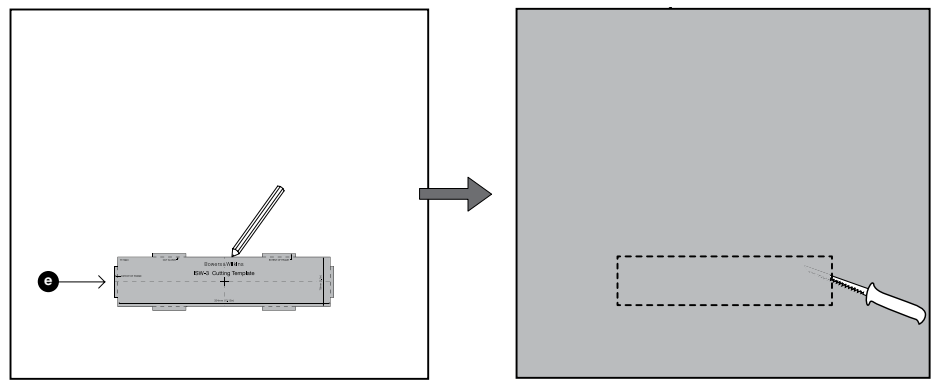


Figure 25

На этом этапе вы можете нанести мягкую мастику на лицевую поверхность корпуса сабвуфера, чтобы предотвратить дребезг об гипсокартонные панели.

Прикрепите гипсокартонные панели к стенным перегородкам (Figure 26) и нанесите окончательную шпаклевку.

На этом этапе покрасьте стену и, если хотите, можете выкрасить молдинг решетки жалюзи (b) в такой же цвет. Эта деталь хорошо покрывается обычными красками для стен.

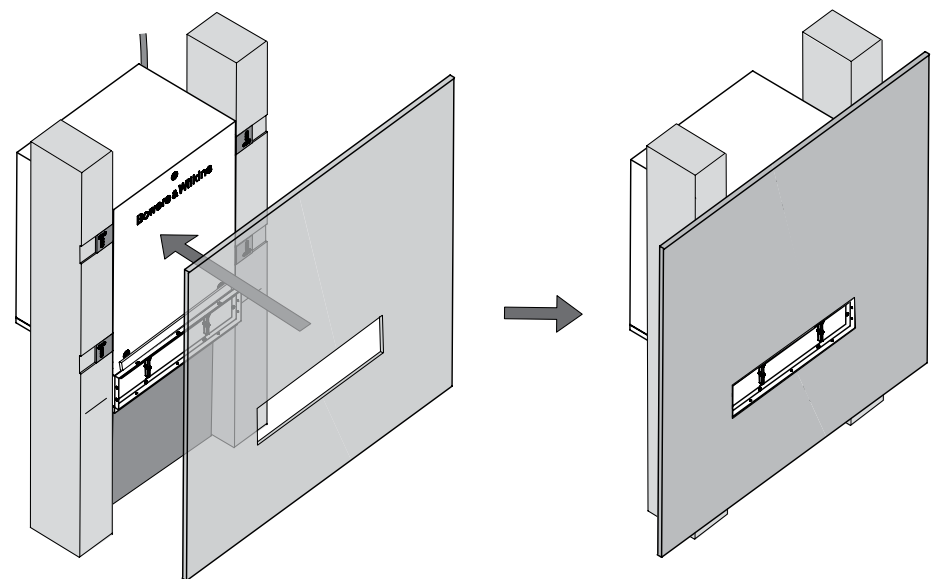


Figure 26

Приставьте жалюзи (c) спереди к проему и прикрепите их к рамке с помощью двух болтов M3 (i) пропущенных через две поперечины. Не перетягивайте эти болты. Две поперечины должны слегка прогнуться, но их окружение не должно искривиться, иначе рамка не совпадет с жалюзи.

Наденьте жалюзи (b) на лицевую панель (c) (Figure 27).

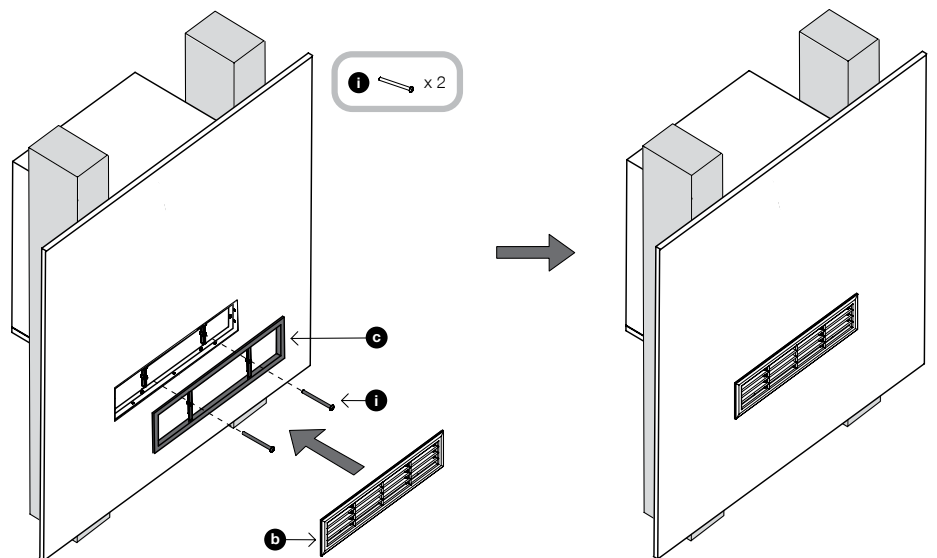


Figure 27

5 Установка под полом

Сабвуфер помещается между перегородками со стандартным расстоянием в 40 см (16in) или более, так чтобы видимая часть решетки жалюзи заполнила зазор между ними. Необходимо иметь глубину под полом в 25 см (10in) или более от верхней плоскости перегородок.

Не рекомендуется устанавливать сабвуфер под полом, если пол будет покрыт толстым ковром. Можно использовать только ковры с очень коротким ворсом, но с большой осторожностью.

Отметьте центральную ось желаемого размещения жалюзи на фронтальной поверхности перегородок с каждой стороны сабвуфера (Figure 28).

Проложите колоночные кабели необходимого сечения до точки установки. Зафиксируйте их на перегородках, так чтобы они не вибрировали, при этом последняя точка крепления должна быть близко к помеченной центральной линии жалюзи. Оставьте свободный конец кабеля длиной приблизительно 30 – 50 см (12in – 20in) в конце (Figure 29).

Прикрепите четыре скобы, как показано на рисунке, к боковым поверхностям сабвуфера с помощью двух шурупов (h) No.8 x 12 мм (0.5in) на каждую скобу. Расположение скоб по горизонтали не критично, однако убедитесь, что скобы стоят заподлицо с фронтальной плоскостью корпуса, когда растроб смотрит вверх.

Положите сабвуфер между перегородками, так чтобы его удерживали скобы на них (Figure 31).

Если расстояние между перегородками слишком велико, чтобы можно было пропустить шурупы через скобы и попасть в корпус, инсталлятору потребуются придумать другой подходящий метод крепления.

Совместите рамку жалюзи с метками на перегородках, проверив перпендикулярность относительно стен, и наметьте контуры скоб на них.

Затем выньте обратно сабвуфер и выдолбите в перегородках углубления по прочерченным линиям на 2 мм (0.08 in), как показано на рисунке, так чтобы скобы не торчали из них при установке (Figure 32).

Прикрепите опорный стержень (j) к верхушке растробы, с помощью трех болтов No.6 x 25 мм (m) (1in) вставленных в предварительно просверленные направляющие отверстия (Figure 33).

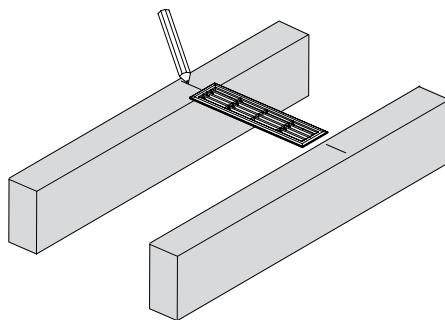


Figure 28

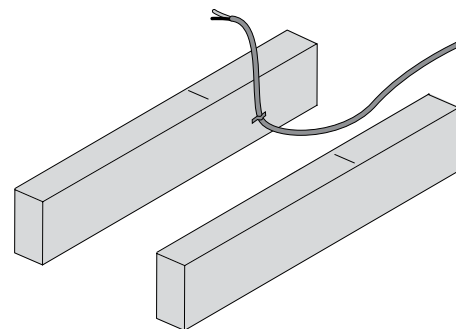


Figure 29

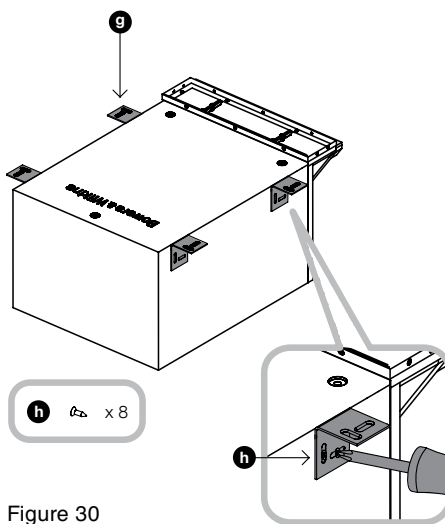


Figure 30

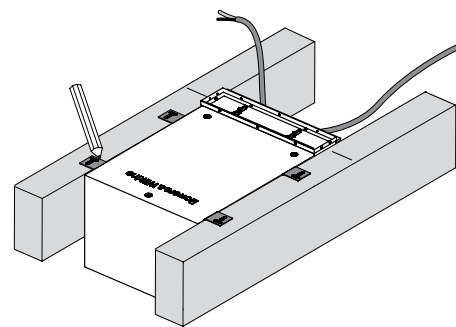


Figure 31

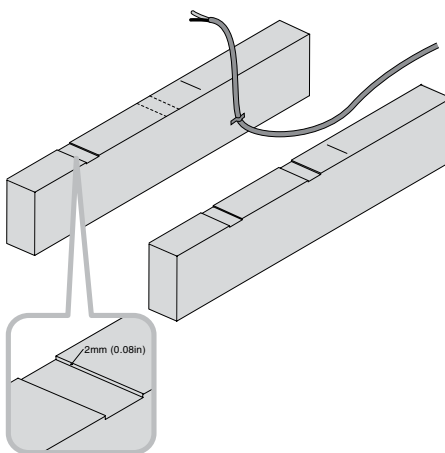


Figure 32

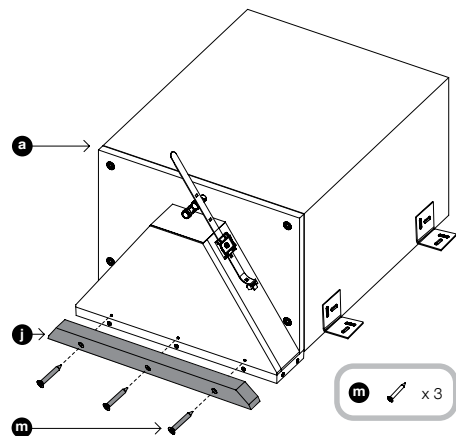


Figure 33

Снимите защитный слой бумаги и наложите две самоклеящиеся уплотнительные прокладки (f), одну на опорный стержень, а другую – на корпус с другой стороны рамы для жалюзи. Эти резиновые прокладки служат для виброизоляции гипсокартонных панелей, чтобы предотвратить их дребезг (Figure 34).

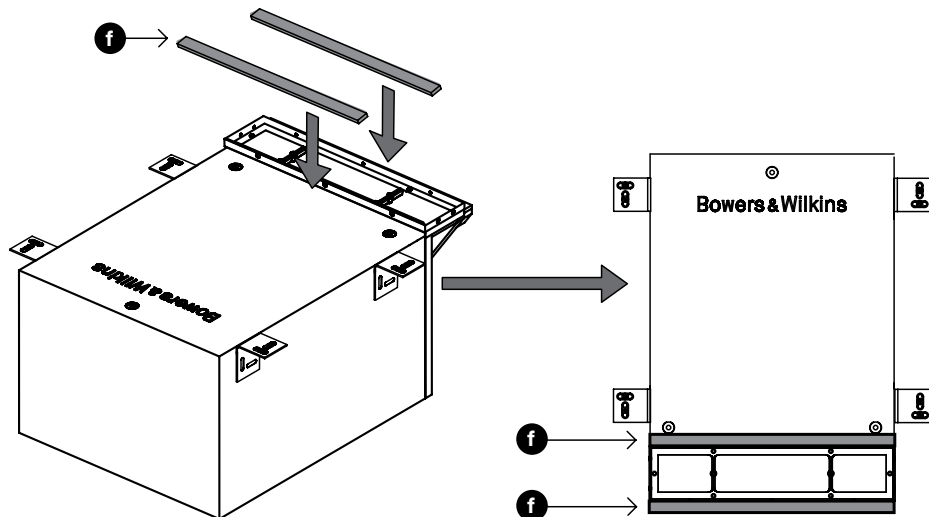


Figure 34

Установите сабвуфер поблизости от намеченного положения. Зачистите концы кабеля и соедините их с пружинными разъемами на корпусе, соблюдая при этом полярность. Чтобы предотвратить дребезг, закрепите лишний конец кабеля на сабвуфере с помощью стяжки (Figure 35).

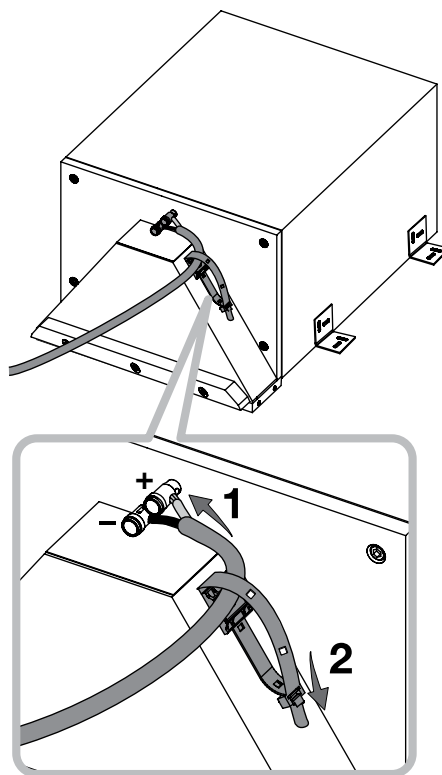


Figure 35

Вставьте сабвуфер на место, так чтобы скобы попали в выемки для них, и прикрепите скобы шурупами к перегородкам (шурупы для этого не прилагаются) (Figure 36).

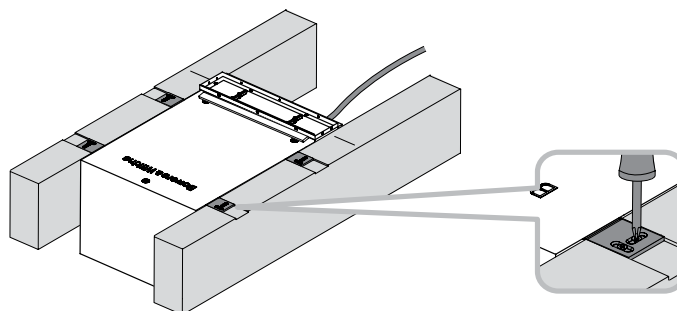


Figure 36

Если вы используете листовое покрытие для пола, используйте шаблон (е) для того, чтобы наметить контур проема в полу. Шесть выступов шаблона соответствуют внешним размерам решетки с жалюзи и сделаны только для того, чтобы показать необходимые габариты. Не размечайте контур по этим выступам, а обведите чертеж по пунктирным линиям, которые их отсекают (Figure 37).

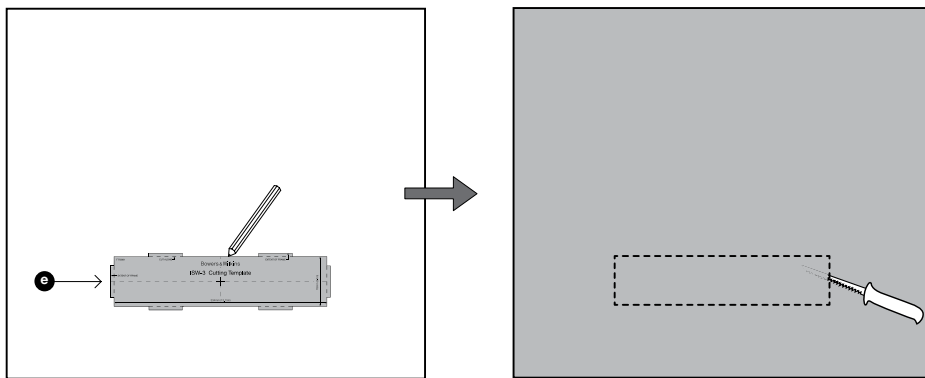


Figure 37

На этом этапе вы можете нанести мягкую мастику на лицевую поверхность корпуса сабвуфера, чтобы предотвратить дребезг об гипсокартонные панели.

Для листового покрытия пола, наложите его так, чтобы вырез для решетки жалюзи оказался в нужном месте.

Для покрытия пола, состоящего из отдельных полос, уложите их так, чтобы они плотно легли вокруг выступающей решетки.

Там где это возможно (см. предупреждение в начале этого раздела), уложите коврик и прорежьте в нем отверстие для решетки.

На этом этапе, если хотите, можете выкрасить молдинг решетки жалюзи.

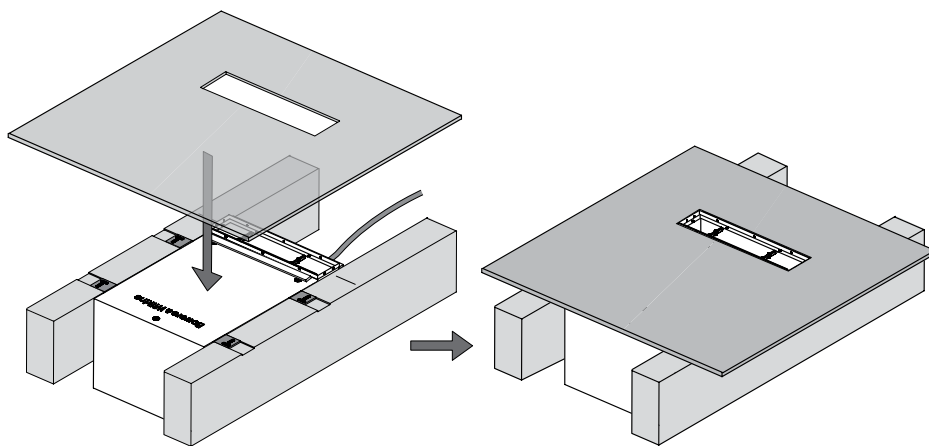


Figure 38

Приставьте жалюзи (с) спереди к проему и прикрепите их к рамке с помощью двух болтов М3 (i) пропущенных через две поперечины. Не перетягивайте эти болты. Две поперечины должны слегка прогнуться, но их окружение не должно искривиться, иначе рамка не совпадет с жалюзи.

Наденьте жалюзи (b) на лицевую панель (с) (Figure 39).

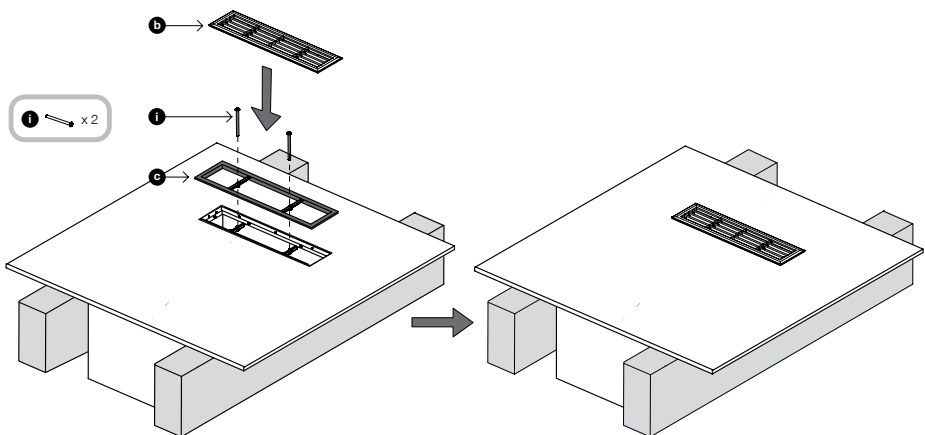


Figure 39

6 Установка в кухонную тумбу

Сабвуфер должен лежать на нижней полке тумбы и излучать звук через решетку под дверцей.

Снимите защитный слой бумаги и наложите одну из самоклеящихся уплотнительных прокладок (f), на продолжение раструба, вдоль грани рамки жалюзи.

Прикрепите продолжение раструба (d) к рамке жалюзи на основном корпусе, с помощью 10 болтов No.4 x 10 мм (l), вставленных в заранее просверленные отверстия (Figure 40).

На молдинге рамки уже есть одна прокладка, поставленная заранее. Ее нужно прижать, когда вы прикрепляете продолжение раструба, т.к. направляющие отверстия не совпадут, если не сжать ее как следует.

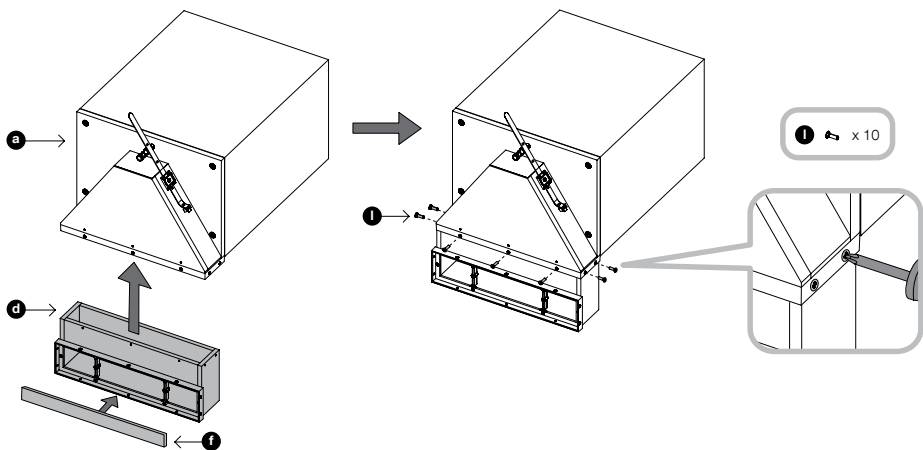


Figure 40

Убедитесь, что стопорные гайки полностью завернуты в резьбу резиновых ножек (k) и прикрутите все три ножки в их резьбовые отверстия в корпусе сабвуфера (Figure 41).

! Начертите отметку на панели под дверцей на 30 мм (1.2in) ниже поверхности нижней полки. Верхняя часть выреза в этой панели не должна быть ниже этой линии (Figure 42).

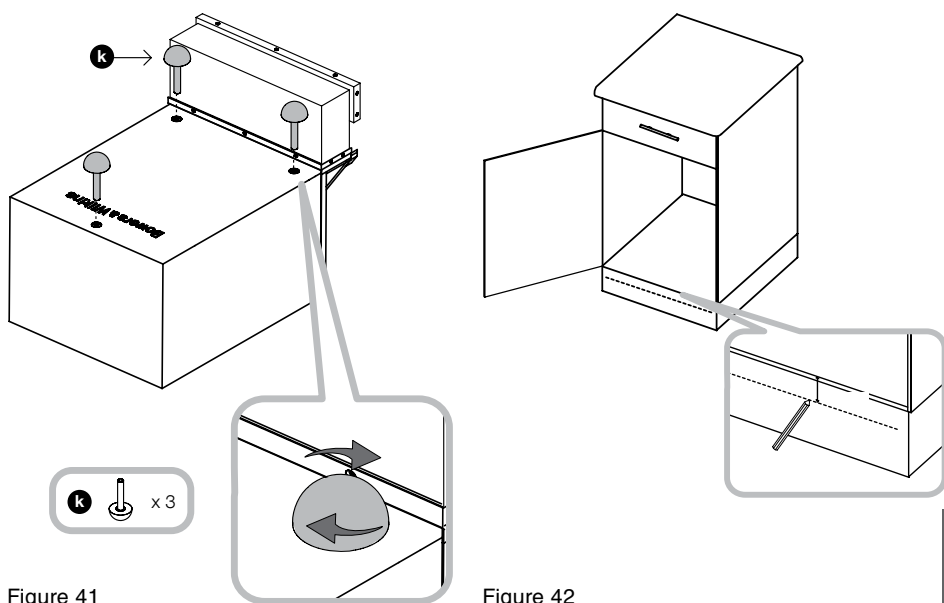


Figure 41

Figure 42

! Используя прилагаемый шаблон, наметьте контур проема в нижней панели, убедившись, что верх шаблона находится на одном уровне или выше начерченной отметки, и что перпендикулярность соблюдена.

Вырежьте проем в нижней панели и еще один в нижней полке тумбы, чтобы разместить продолжение раструба. Передняя грань проема в полке должна быть заподлицо с задней плоскостью нижней панели (Figure 43).

Проложите колоночные кабели необходимого сечения до точки установки..

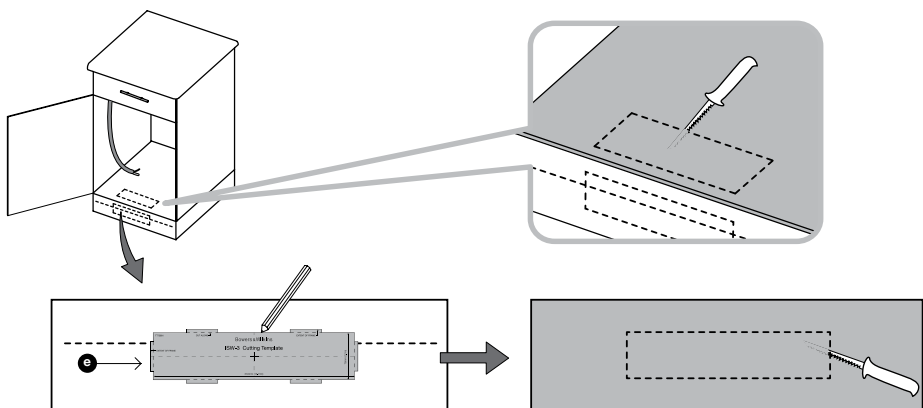


Figure 43

Уложите сабвуфер на нижнюю полку. Отвинтите ножки на нужное расстояние так чтобы совместить продолжение раструба с вырезом в нижней панели. Оставив ножки в этом положении, затяните контргайки к сабвуферу, чтобы зафиксировать это положение (Figure 44).

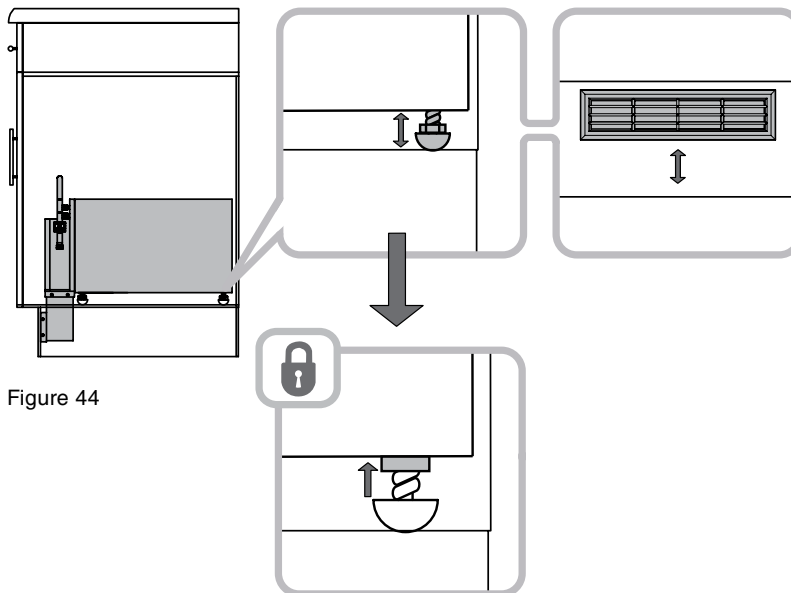


Figure 44

Зачистите концы кабеля и соедините их с пружинными разъемами на корпусе, соблюдая при этом полярность. Чтобы предотвратить дребезг, закрепите лишний конец кабеля с помощью стяжки к сабвуферу (Figure 45).

Если хотите, можете выкрасить молдинг решетки жалюзи.

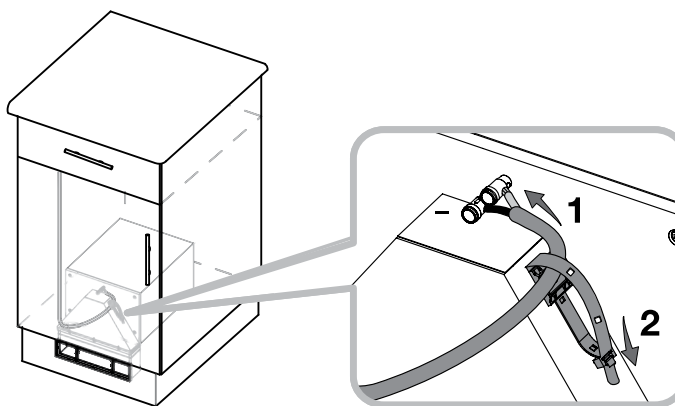


Figure 45

Приставьте жалюзи (c) спереди к проему и прикрепите их к рамке с помощью двух болтов М3 (i) пропущенных через две поперечины. Не перетягивайте эти болты. Две поперечины должны слегка прогнуться, но их окружение не должно искривиться, иначе рамка не совпадет с жалюзи.

Наденьте жалюзи (b) на лицевую панель (Figure 46).

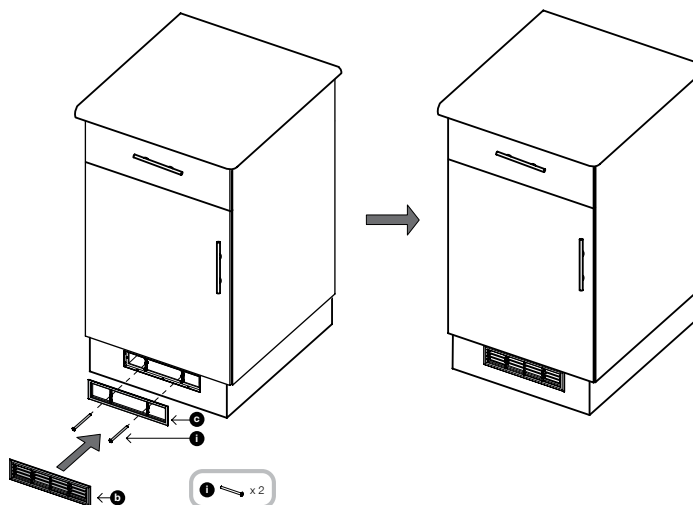


Figure 46

7 Прогрев и приработка

Звучание АС слегка меняется в течение начального периода прослушивания. Если колонка хранилась в холодном помещении, то для демпфирующих материалов и подвеса динамиков потребуется некоторое время на восстановление механических свойств. Подвес диффузора также слегка снижает свою жесткость в течение первых часов работы. Время, которое потребуется сабвуферу для полного выхода на расчетные характеристики зависит от условия хранения и интенсивности использования. Как правило, потребуется неделя на устранения температурных эффектов и около 15 часов на достижение механическими частями желаемых характеристик.

Иногда поступают отзывы, что необходим более длительный период приработки (например, месяц), однако это, как правило, не имеет отношения к изменениям в свойствах АС, а скорее всего, связано с привыканием слушателя к новому для него звучанию.

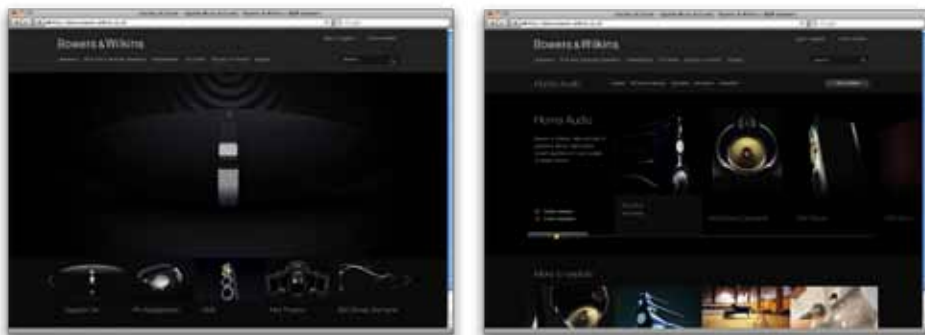
8 Уход за сабвуфером

Сабвуфер обычно не требует никакого ухода, кроме периодического снятия и очистки решетки.

Если сабвуфер установлен под полом, следует периодически снимать решетку жалюзи и чистить пылесосом раструб, чтобы удалить мусор, который может там скапливаться (Figure 35).

Vítejte u Bowers and Wilkins s výrobkem ISW-3

Děkujeme vám, že jste se rozhodli pro Bowers & Wilkins. Když John Bowers zakládal svoji firmu věřil, že zajímavý design, inovativní výzkum a pokročilé technologie jsou klíčem otevírajícím dveře domácí zábavě. My v jeho myšlenkách pokračujeme a při vývoji každého produktu se jimi inspirujeme.

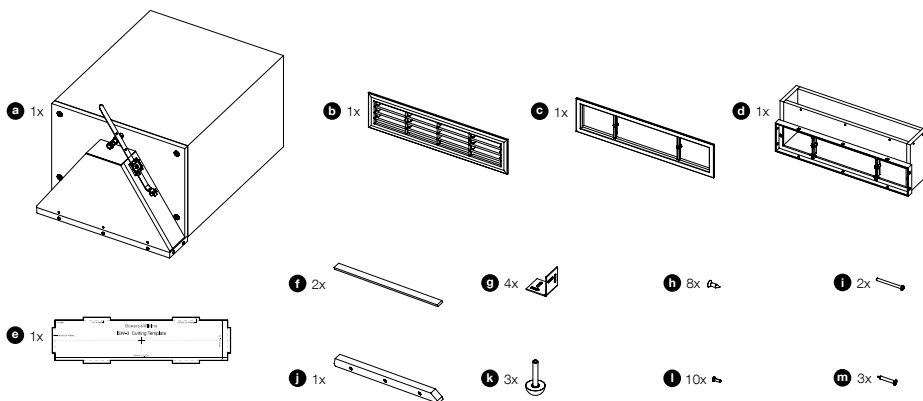


www.bowers-wilkins.com

1 Obsah balení

V balení by se měly nacházet všechny položky znázorněné na Obrázku 1:

- a. Subwoofer
- b. Svrchní mřížka (bílá)
- c. Spodní mřížka (černá)
- d. Prodloužení vyústění
- e. Šablona pro otvor
- f. Těsnící pásy
- g. Úhlové podpůrné konzole
- h. Šrouby 8 x 12mm
- i. Šrouby M3 x 35mm s půlkulatou hlavou
- j. Podpěrná lišta
- k. Gumové nožičky & zajišťovací matice
- l. Šrouby 4 x 10mm csk
- m. Šrouby 6 x 25mm csk



Obrázek 1

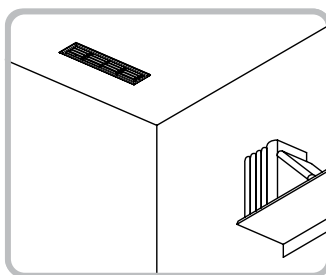
Navíc by balení mělo obsahovat také leták s informacemi o záruce a průvodce pro rychlou instalaci (Quick Start Guide). Tento manuál přináší více informací než Quick Start Guide.

Chybí-li vám některé součásti, nebo jsou poškozeny, konzultujte to s vaším prodejcem.

2 Aplikace

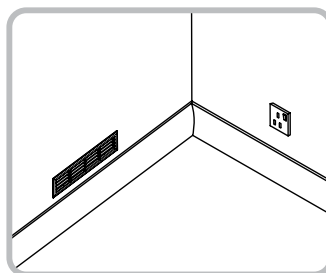
Existují čtyři možné aplikace, přičemž každá je popsána v samostatné kapitole:

Do stropu – pouze při nově budované konstrukci (Obrázek 2)
Jděte na kapitolu 3.



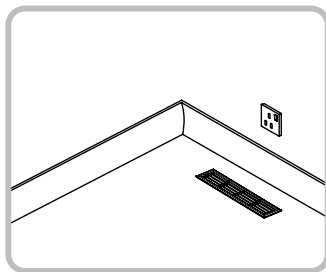
Obrázek 2

Do stěny – pouze při nově budované konstrukci (Obrázek 3)
Jděte na kapitolu 4.



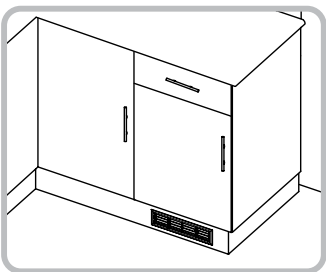
Obrázek 3

Pod podlahu (Obrázek 4)
Jděte na kapitolu 5.



Obrázek 4

Do kuchyňské linky (Obrázek 5)
Jděte na kapitolu 6.



Obrázek 5

3 Instalace do stropu

Reposoustavu lze umístit mezi nosníky se standardním 40cm (či větším) rozestupem, přičemž mřížka (jenž zůstane viditelná) pak bude mezi nimi tvořit spojnicí. Od čelní strany nosníků (nebo chcete-li od zadní strany sádkartonu) je potřeba počítat s prostorem hlubokým 25cm či více.

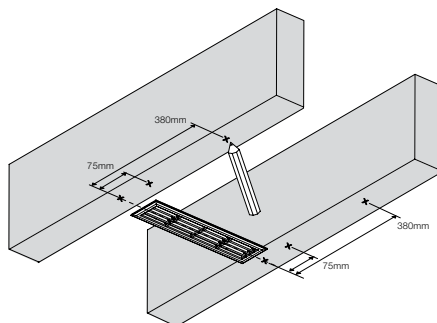
Na přední straně nosníků si vyznačte předpokládanou pozici, ve které se bude nacházet podélná osa mřížky. Zhruba 75mm a 380mm od této vyznačené osy si vytvořte další značky indikující střed konzolí, jenž budou podírat hlavní ozvučnici (obrázek 6).

Přišroubujte k nosníkům čtyři konzole ve tvaru „L“ (šrouby nejsou součástí dodávky) tak, aby směřovaly do prostoru mezi nosníky a aby jejich čelní plocha byla zarovnána s přední plochou nosníků.

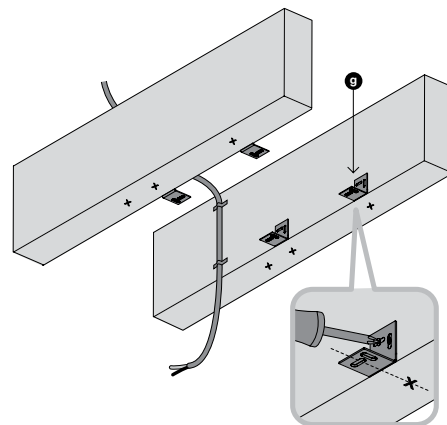
K místu, kde bude reposoustava instalována natáhněte kabel odpovídajícího průměru. Přichyťte jej přitom k nosníkům tak, aby později nezpůsobil rezonance. Konec kabelu by měl být co nejbližší místu, na kterém je vyznačena osa mřížky. Na konci si však ponechte rezervu kabelu zhruba 30cm – 50cm (Obrázek 7).

Pomocí tří šroubů 6 x 25mm (m) připevněte podpěrnou lištu (j) skrze předvrtané otvory k vyústění na ozvučnici (Obrázek 8).

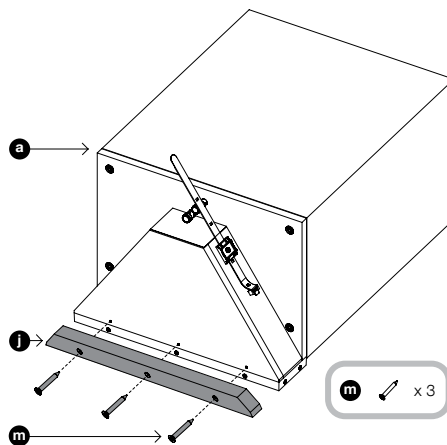
Odstaňte papírovou folii ze samolepících těsnících pásků a přilepte je jeden na podpěrnou lištu a druhý na konec ozvučnice u opačné strany vyústění. Toto těsnění by pak mělo dosednout na sádkartonový panel, aby se předešlo vibracím (Obrázek 9).



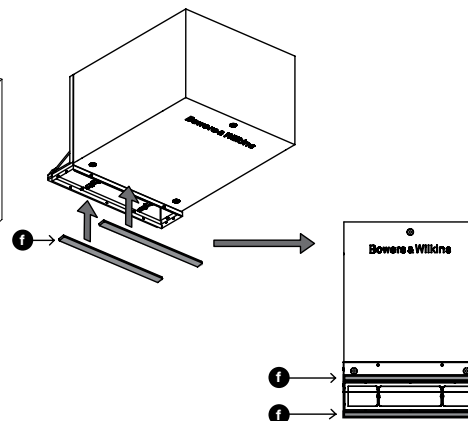
Obrázek 6



Obrázek 7



Obrázek 8



Obrázek 9

Zdvihněte reposoustavu a umístěte ji na čtyři „L“ vzpěry jak je znázorněno. Pokud je rozteč mezi nosníky moc velká na to, aby šly vzpěry přišroubovat k ozvučnici reposoustavy, bude nutné si vyrobit speciální konzole na míru.

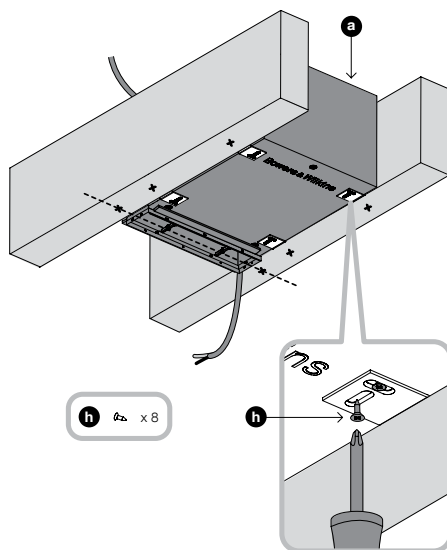
Usaďte reposoustavu tak, aby mřížka vyústění (která zůstane viditelná) byla kolmá či vodorovná s hranou stropu.

V této pozici reposoustavu zafixujte pomocí samořezných šroubů 8 x 12mm (h) provlečených otvory v „L“ konzolích a zašroubovaných do ozvučnice. (Obrázek 10).

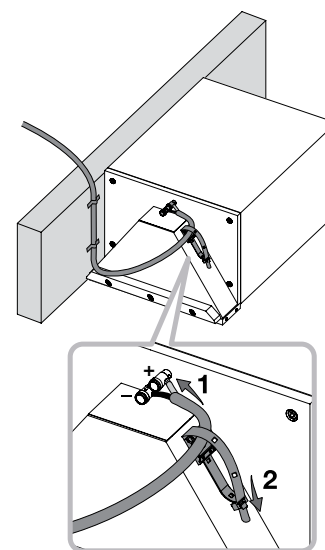
Rámeček vyústění bude přesahovat čelní stranu nosníků.

Odizolujte konce kabelu a připojte jej do pružinových svorek na ozvučnici. Dbejte přitom na správnou polaritu.

Aby se předešlo rezonancím, přichyťte volný kabel pomocí spony k ozvučnici (Obrázek 11).

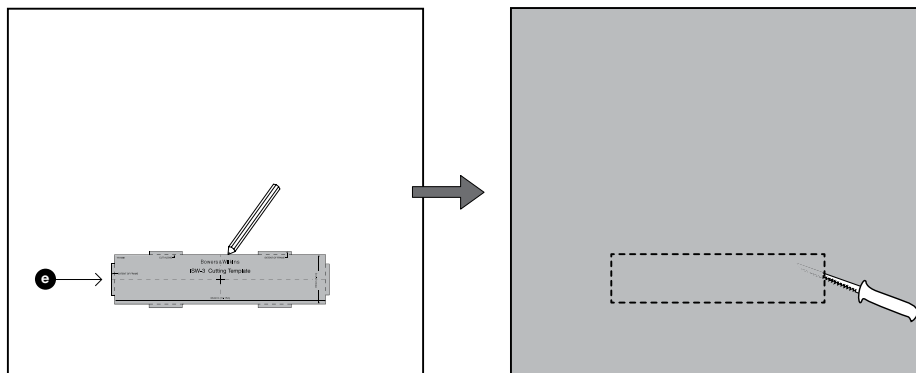


Obrázek 10



Obrázek 11

Na sádkartonový panel si vyznačte předpokládaný otvor pomocí šablony (e). Šest výčnělků koresponduje s vnějším rozměrem mřížky, čímž je dán potřebný prostor. Tyto výčnělky tedy neobkreslujte, ale přejděte je po vytečkované linii (Obrázek 12).

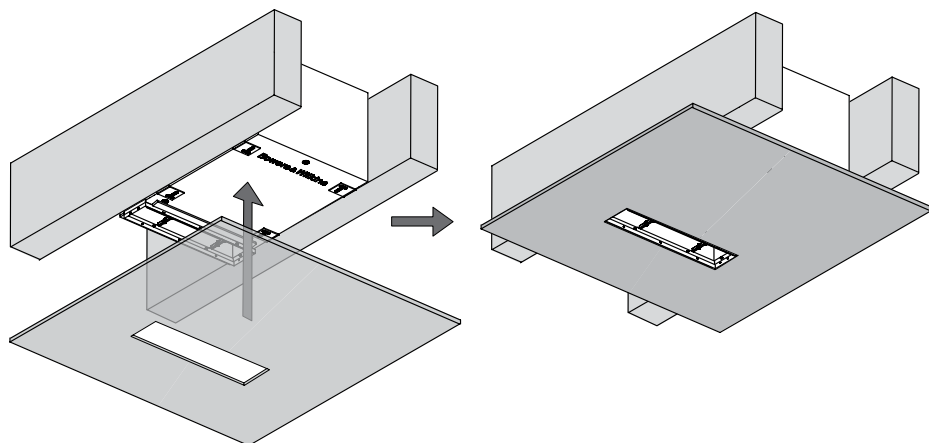


Obrázek 12

V této fázi můžete na čelní stranu ozvučnice aplikovat pružný tmel, aby se po přichycení sádkartonového panelu zabránilo rezonancím.

Připevněte sádkartonový panel na nosníky (Obrázek 13) a proveďte povrchovou úpravu (zarovnání) stěrkou.

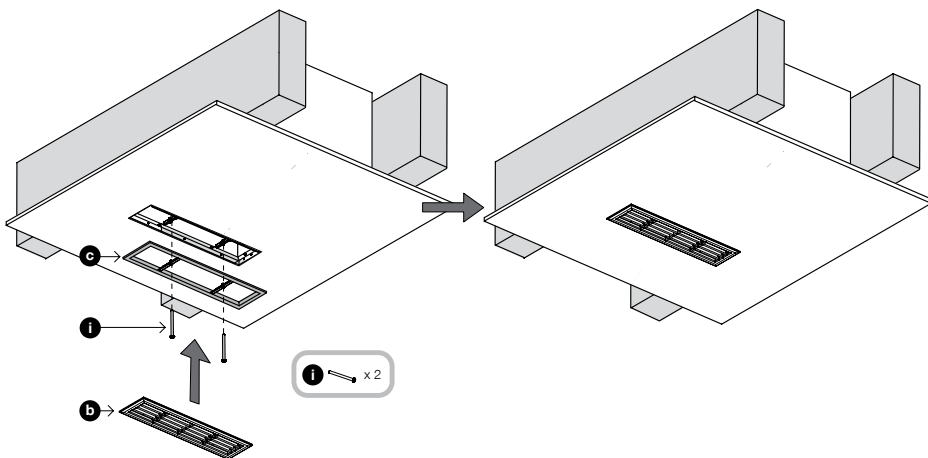
Provedte nátěr stropu, je-li potřeba, můžete nabarvit i svrchní mřížku (b). Mřížka může být natřena klasickými barvami pro natírání stěn.



Obrázek 13

Vložte spodní mřížku (c) na přední část otvoru a připevněte ji do rámečku pomocí dvou M3 šroubů (i) skrze lišty. Neutahujte příliš silně. Mělo by být cítit mírné pružení, ale nemělo by docházet k deformaci, jinak nepůjde nasadit svrchní mřížka.

Do spodní mřížky (c) zacvakněte svrchní mřížku (b) (Obrázek 14).



Obrázek 14

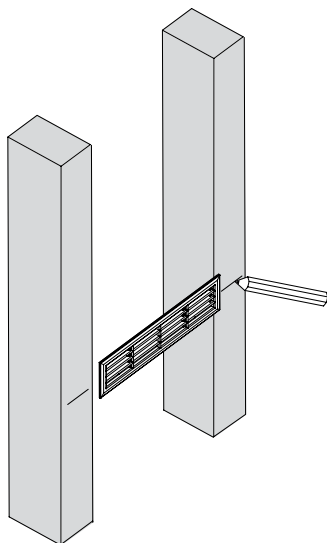
4 Instalace do stěny

Subwoofer je příliš hluboký, aby pasoval do standardizované 100mm silné stěny. Může však být umístěn ve speciálním obložení, či zabudován ve stěně s nadstandardní tloušťkou, mající mezeru mezi nosníky 40cm, či více.

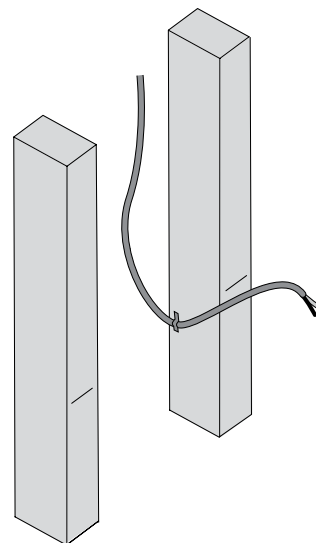
Ve většině případů je vyžadováno, aby se mřížka vyústění subwooferu nacházela co nejnižže u podlahy, těsně nad podlahovou lištou. V takovém případě je třeba ozvučnici montovat natočenou vyústěním směrem dolů.

Na přední straně nosníků si vyznačte předpokládanou pozici, ve které se bude nacházet podélná osa mřížky (obrázek 15).

K místu, kde bude reprosoustava instalována, natáhněte kabel odpovídajícího průměru. Přichyťte jej přitom k nosníkům tak, aby později nezpůsobil rezonance. Konec kabelu by měl být co nejbližší místu, na kterém je vyznačena osa mřížky. Na konci si však ponechte rezervu kabelu zhruba 30cm – 50cm (obrázek 16).



Obrázek 15



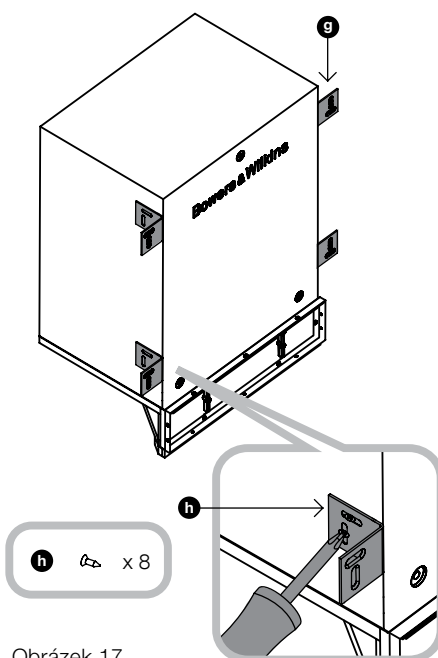
Obrázek 16

Připevněte k ozvučnici konzole ve tvaru L (g) jak je znázorněno, přičemž pro každou konzoli použijte dva šrouby 8 x 12mm (h). (obrázek 17).

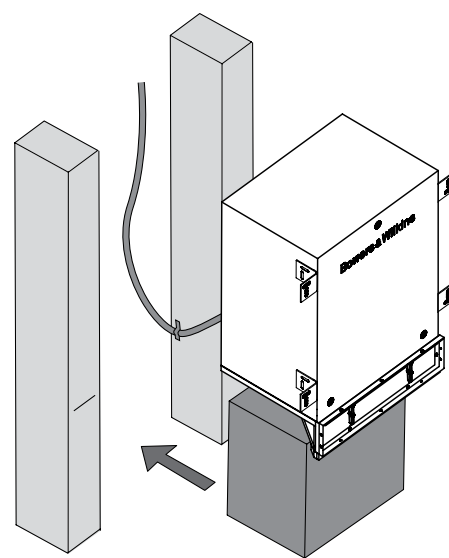
Vertikální pozice konzolí není kritická, nicméně dbejte, aby jejich plocha byla zarovnaná s čelní stranou ozvučnice.

Není to sice nutné, ale pro snadnější montáž subwooferu je dobré dočasně podepřít ozvučnici tak, aby se vyústění nacházelo v požadované výšce.

Ustavte subwoofer v požadované pozici (obrázek 18).



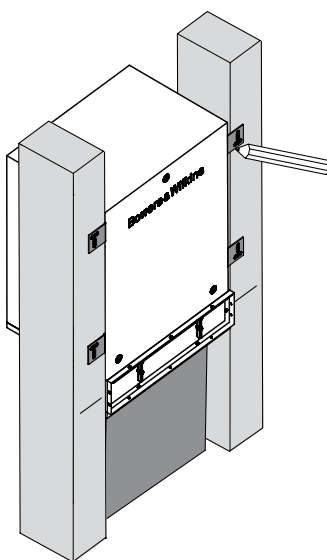
Obrázek 17



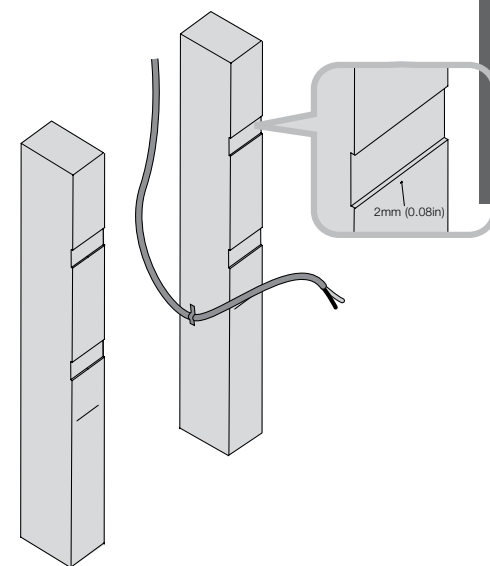
Obrázek 18

Na přední část nosníků obkreslete obrysy konzolí (obrázek 19).

Poté subwoofer z prostoru vyjměte a v přední straně nosníků vytvořte dle vyznačeného obrysu konzolí 2mm zahloubení, aby byla čelní strana konzolí a subwooferu s nosníky zarovnaná a nedocházelo k vyboulení sádkartonu (obrázek 20).

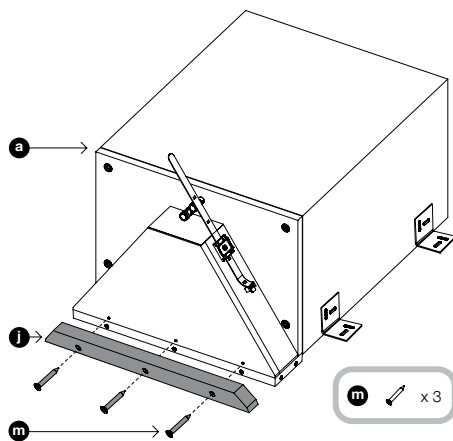


Obrázek 19



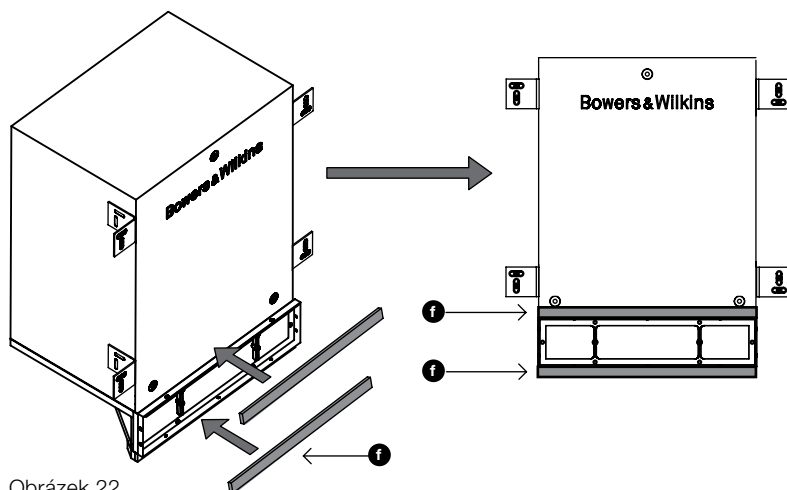
Obrázek 20

Pomocí tří šroubů 6 x 25mm (m) připevněte podpěrnou lištu (j) skrze předvrtané otvory k vyústění na ozvučnici (Obrázek 21).



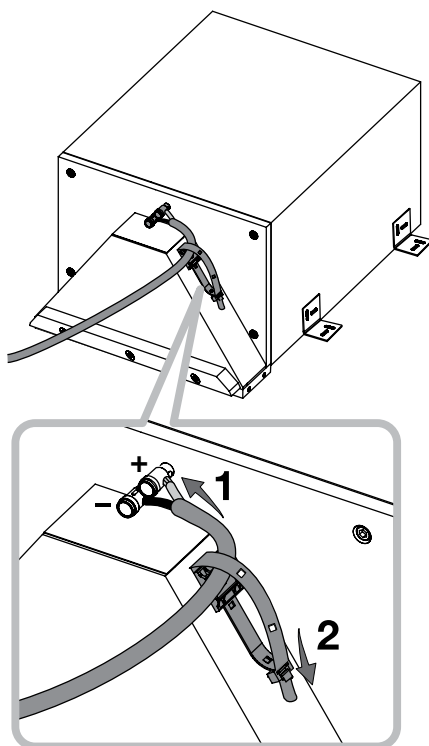
Obrázek 21

Odstraňte papírovou folii ze samolepících těsnících pásků a přilepte je jeden na podpěrnou lištu a druhý na konec ozvučnice u opačné strany vyústění. Toto těsnění by pak mělo dosednout na sádkartonový panel, aby se předešlo vibracím (Obrázek 22).



Obrázek 22

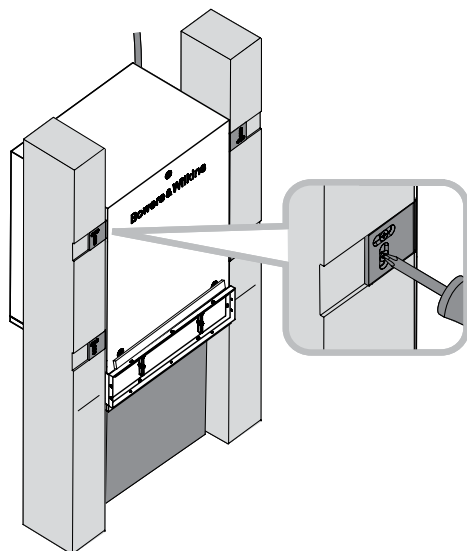
Umístěte subwoofer co nejbližší požadované pozici. Odizolujte konce kabelu a připojte jej do pružinových svorek na ozvučnici. Dbejte přitom na správnou polaritu. Aby se předešlo rezonancím, přichyťte volný kabel pomocí spony k ozvučnici (Obrázek 23).



Obrázek 23

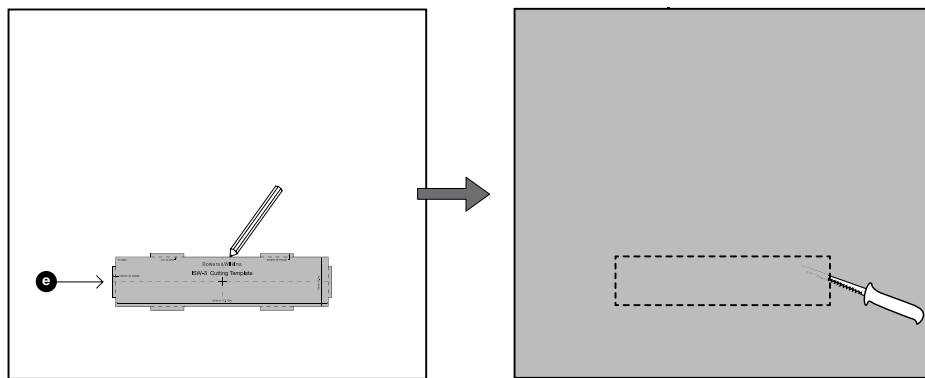
Ustavte subwoofer přesně do požadované pozice, přičemž si můžete vypomoci podepřením jeho spodní části nějakou podpěrou. Ujistěte se, že konzole zapadly do zhloubení v nosnících a přišroubujte je k nosníkům (šrouby nejsou součástí dodávky) (Obrázek 24).

Když je subwoofer připevněn, lze odstranit dočasné podepření.



Obrázek 24

Na sádkartonový panel si vyznačte předpokládaný otvor pomocí šablony (e). Šest výčnělků koresponduje s vnějším rozměrem mřížky, čímž je dán potřebný prostor. Tyto výčnělky tedy neobkreslujte, ale přejděte je po vytečkované linii (Obrázek 25).

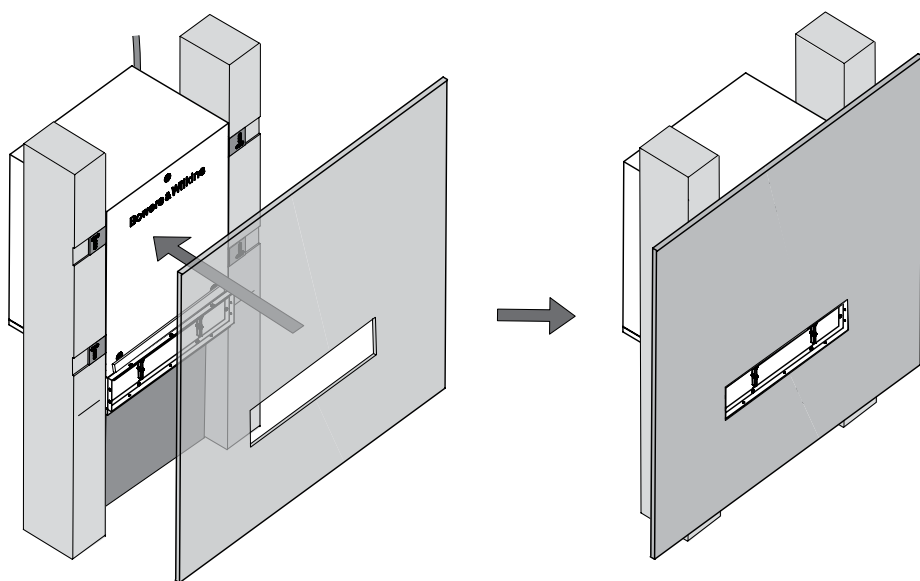


Obrázek 25

V této fázi můžete na čelní stranu ozvučnice aplikovat pružný tmel, aby se po přichycení sádkartonového panelu zabránilo rezonancím.

Připevněte sádkartonový panel na nosníky (Obrázek 26) a proveďte povrchovou úpravu (zarovnání) stěrkou.

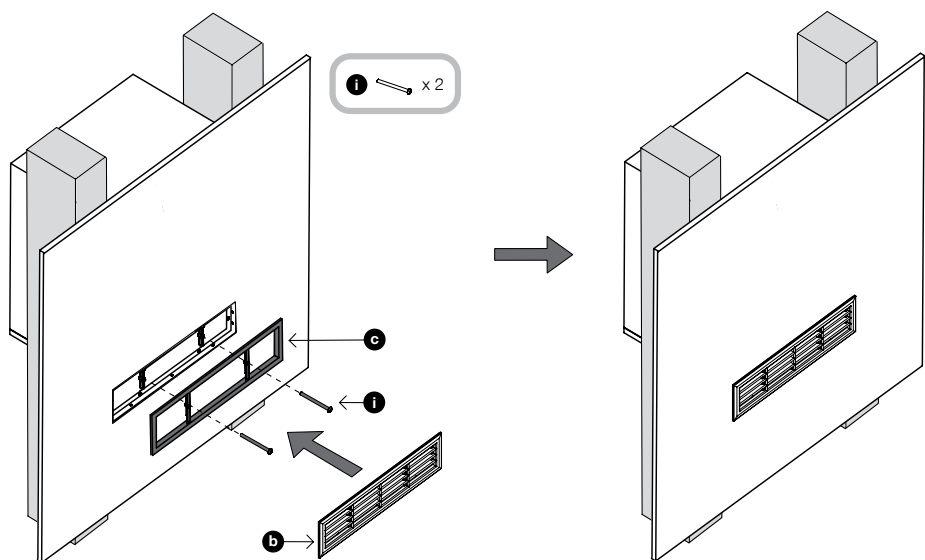
Proveďte nátěr stěny, je-li potřeba, můžete nabarvit i svrchní mřížku (b). Mřížka může být natřena klasickými barvami pro natírání stěn.



Obrázek 26

Vložte spodní mřížku (c) na přední část otvoru a připevněte ji do rámečku pomocí dvou M3 šroubů (i) skrze lišty. Neutahujte příliš silně. Mělo by být cítit mírné pružení, ale nemělo by docházet k deformaci, jinak nepůjde nasadit svrchní mřížka.

Do spodní mřížky (c) zacvakněte svrchní mřížku (b) (Obrázek 27).



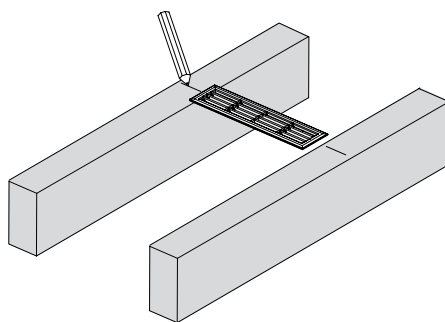
Obrázek 27

5 Instalace do podlahy

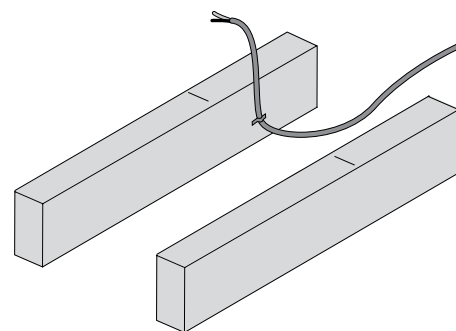
Reposoustavu lze umístit mezi nosníky se standardním 40cm (či větším) rozestupem, přičemž mřížka (jenž zůstane viditelná) pak bude mezi nimi tvořit spojnicí. Od horní plochy nosníků je potřeba počítat s prostorem hlubokým 25cm či více.

Tento produkt není doporučován tam, kde bude podlaha zakryta silným kobercem. V určitých případech lze použít tenké koberec s krátkým vlasem, jejich výběru je však třeba věnovat velkou pozornost.

Na horní straně nosníků si vyznačte předpokládanou pozici, ve které se bude nacházet podélná osa mřížky (obrázek 28).



Obrázek 28



Obrázek 29

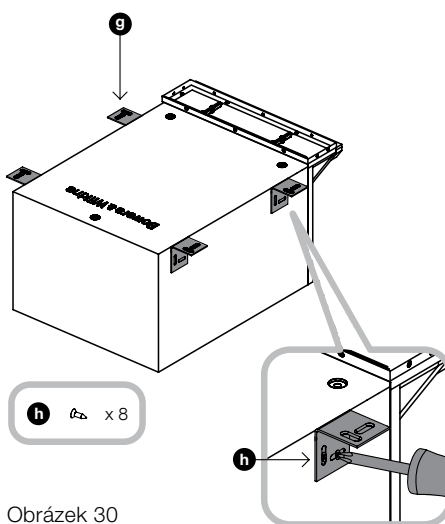
K místu, kde bude reposoustava instalována, natáhněte kabel odpovídajícího průměru. Přichyťte jej přítom k nosníkům tak, aby později nezpůsobil rezonance. Konec kabelu by měl být co nejbližší místu, na kterém je vyznačena osa mřížky. Na konci si však ponechte rezervu kabelu zhruba 30cm – 50cm (Obrázek 29).

Dle nákresu připevněte k ozvučnici čtyři úhlové konzole, přičemž na každou z konzolí použijte dva šrouby 8 x 12mm (h). Boční pozice konzolí není kritická, nicméně dbejte, aby jejich plocha byla zarovnaná s čelní stranou ozvučnice.

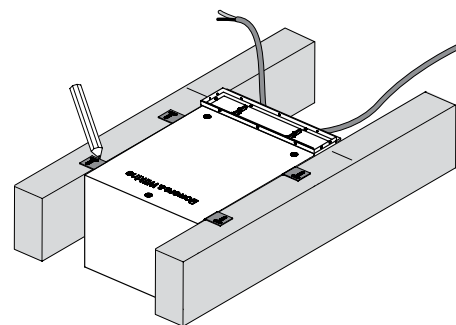
Vložte subwoofer mezi nosníky tak, aby se podpěry na tyto nosníky přesahovaly (obrázek 31).

Pokud je mezera mezi nosníky příliš velká a konzole na ně nemohou přesáhnout, bude třeba použít nějaký speciální držák na míru.

Usaďte reposoustavu tak, aby mřížka vyústění (která zůstane viditelná) byla kolmá či vodorovná s hranou zdi a na horní plochu nosníků obkreslete obrysy konzolí.

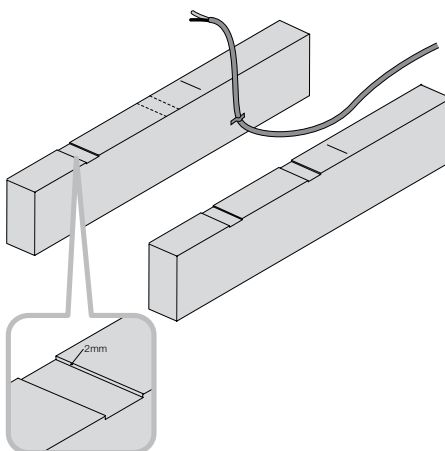


Obrázek 30



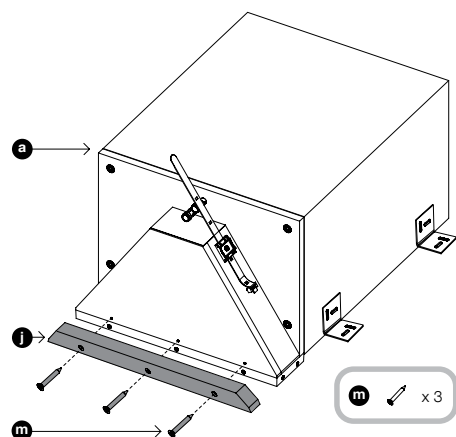
Obrázek 31

Poté subwoofer z prostoru vyjměte a v horní straně nosníků vytvořte dle vyznačeného obrysu konzolí 2mm zahloubení, aby byla čelní strana konzolí a subwooferu s nosníky zarovnaná (Obrázek 32).



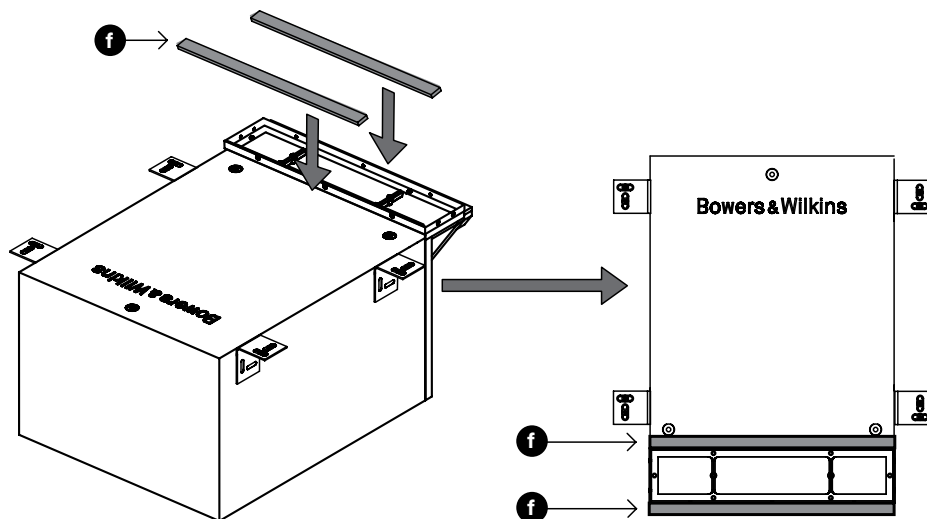
Obrázek 32

Pomocí tří šroubů 6 x 25mm (m) připevněte podpěrnou lištu (j) jak je znázorněno, skrze předvrtané otvory k horní části vyústění na ozvučnici (Obrázek 33).



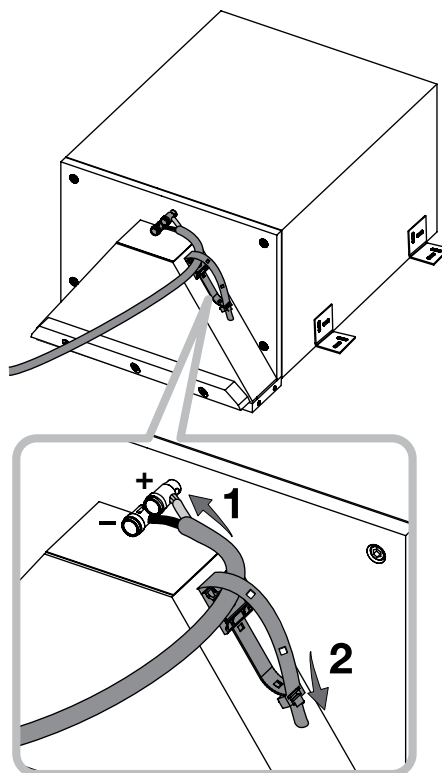
Obrázek 33

Odstraňte papírovou folii ze samolepících těsnících pásků a přilepte je jeden na podpůrnou lištu a druhý na konec ozvučnice u opačné strany vyústění. Toto těsnění by pak mělo dosednout na spodek podlahové krytiny, aby se předešlo vibracím (Obrázek 34).



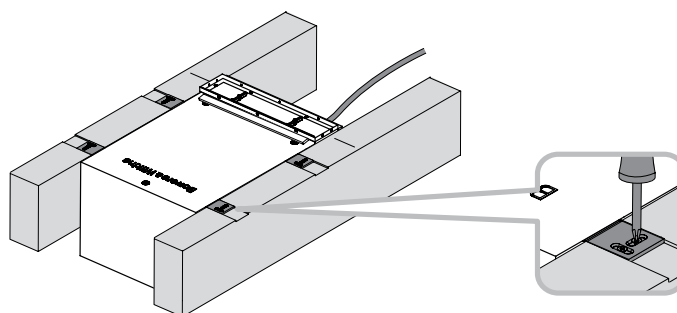
Obrázek 34

Umístěte subwoofer co nejbližší požadované pozici. Odizolujte konce kabelu a připojte jej do pružinových svorek na ozvučnici. Dbejte přitom na správnou polaritu. Aby se předešlo rezonancím, přichyťte volný kabel pomocí spony k ozvučnici (Obrázek 35).



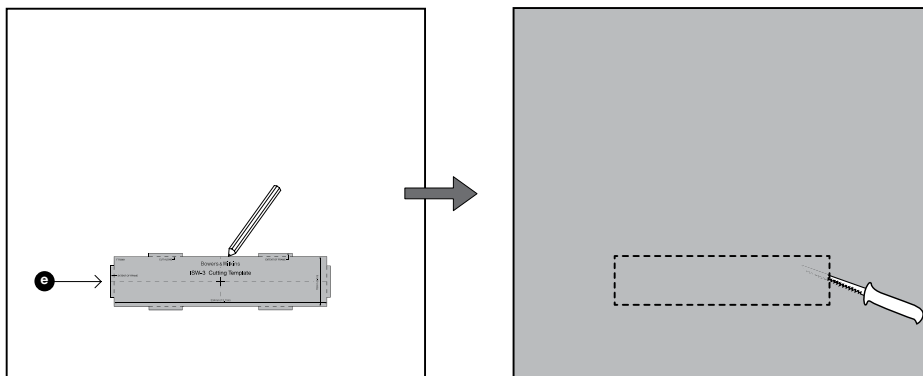
Obrázek 35

Ustavte subwoofer přesně do požadované pozice. Ujistěte se, že konzole zapadly do zhloubení v nosnících a přišroubujte je k nosníkům (šrouby nejsou součástí dodávky) (Obrázek 36).



Obrázek 36

Používáte-li deskovou podlahovou krytinu, vyznačte si pomocí šablony (e) otvor pro vyústění subwooferu. Šest výčnělků koresponduje s vnějším rozměrem mřížky, čímž je dán potřebný prostor. Tyto výčnělky tedy neobkreslujte, ale přejděte je po vytečkované linii (Obrázek 37).



Obrázek 37

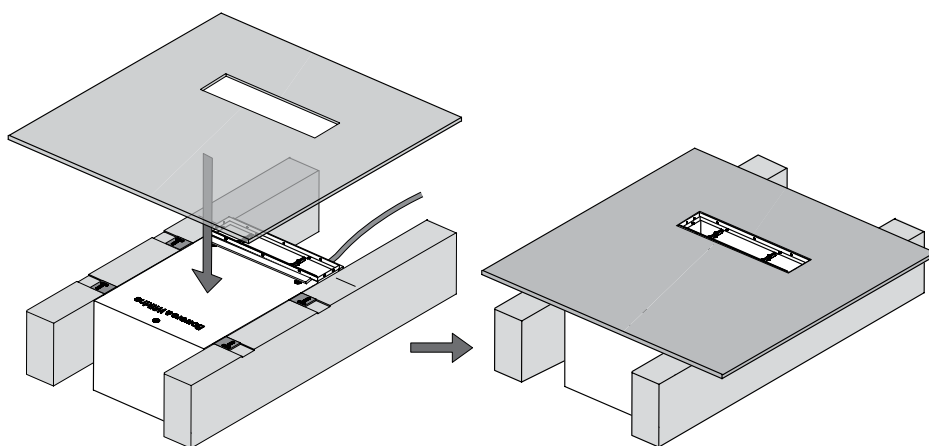
V této fázi můžete na čelní stranu ozvučnice aplikovat pružný tmel, aby se po přichycení ke spodní straně podlahové krytiny zabránilo rezonancím.

V případě deskové podlahové krytiny připevněte desku s vyříznutým otvorem pro vyústění subwooferu na místo.

V případě podlahové krytiny skládané z pásů (např. plovoucí podlaha), začněte pokládat jednotlivé pásy a vyřízněte otvor odpovídající rámečku vyústění subwooferu.

Používáte-li koberec (přečtěte si prosím komentář na začátku této kapitoly), položte jej do požadované pozice a vyřízněte otvor pro vyústění subwooferu.

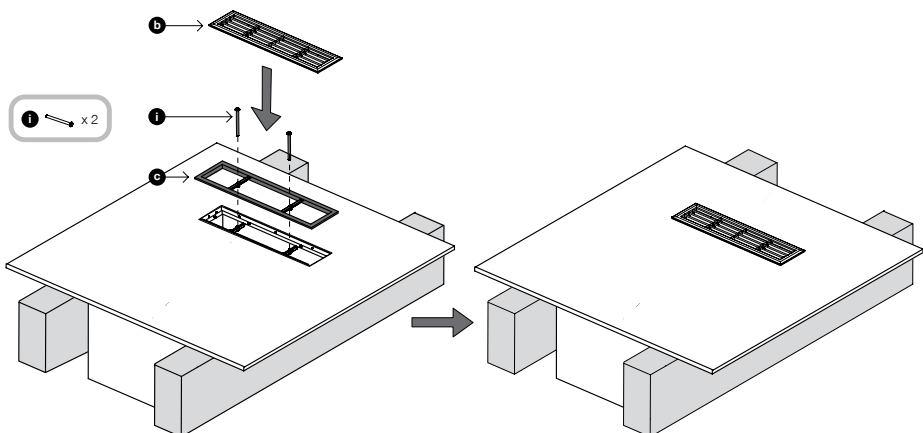
Je-li potřeba, přebarvěte mřížku vyústění.



Obrázek 38

Vložte spodní mřížku (c) na přední část otvoru a připevněte ji do rámečku pomocí dvou M3 šroubů (i) skrze lišty. Neutahujte příliš silně. Mělo by být cítit mírné pružení, ale nemělo by docházet k deformaci, jinak nepůjde nasadit svrchní mřížku.

Do spodní mřížky (c) zacvakněte svrchní mřížku (b) (Obrázek 39).



Obrázek 39

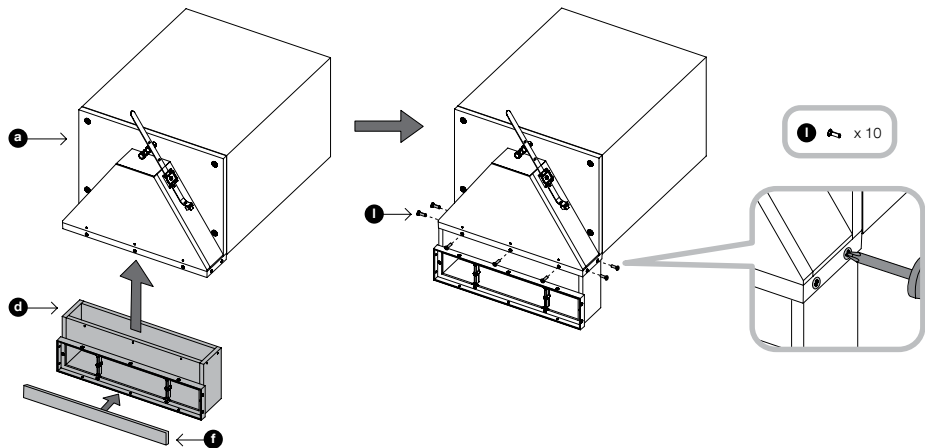
6 Instalace do kuchyňské linky

Subwoofer se obvykle vkládá na dno jedné ze skříňek linky, přičemž vyústíje pod jejími dvířky přes sokl.

Odstraňte papírovou folii ze samolepícího těsnícího pásku (f) a přilepte je na prodloužení vyústění, podél jeho rámečkové hrany.

Zašroubováním 10ti šroubů 4x 10mm (l) do předvrtaných otvorů, připevněte prodloužení vyústění do rámečku vyústění na hlavní ozvučnici (Obrázek 40).

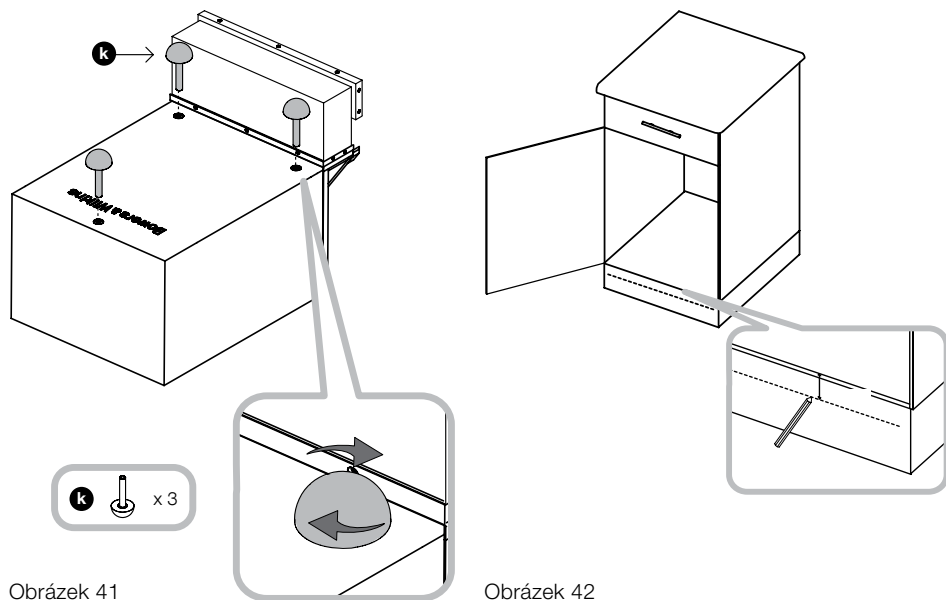
Na rámečku, jenž je připevněn k vyústění, je již předlepeno těsnění. Toto těsnění musí být při montáži prodloužení stlačeno tak, aby předvrtané otvory byly proti sobě.



Obrázek 40

Zajistěte, aby pojistné matice byly na dřících gumových nožiček (k) našroubovány až na doraz ke gumovému zakončení. Poté tyto nožičky zašroubujte až nadoraz do závitových zděří v ozvučnici subwooferu (Obrázek 41).

⚠ Ve vzdálenosti 30mm směrem dolů od povrchu spodní desky skříňky si na desce soklu udělejte značku. Horní část otvoru na soklu nesmí být níže (Obrázek 42).



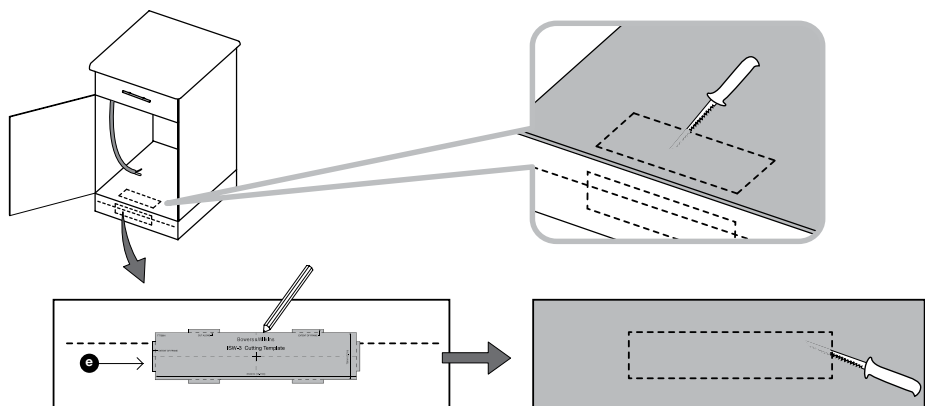
Obrázek 41

Obrázek 42

⚠ Za použití dodávané šablony si na desce soklu vyznačte obrys otvoru, přičemž dávejte pozor, aby horní část šablony byla výše než předtím vytvořená značka a aby byla šablona umístěna pravouhle.

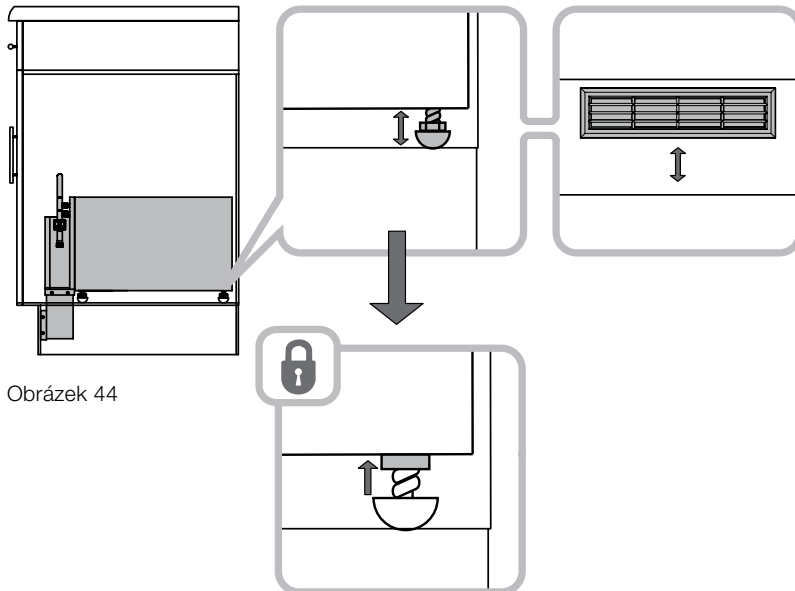
Vyřízněte otvor na desce soklu a také na spodní desce skříňky tak, aby jím prošlo vyústění subwooferu. Přední strana otvoru ve spodní desce by měla být zarovnána se zadní částí panelu soklu (Obrázek 43).

K místu, kde bude reprosoustava instalována, natáhněte kabel odpovídajícího průměru.



Obrázek 43

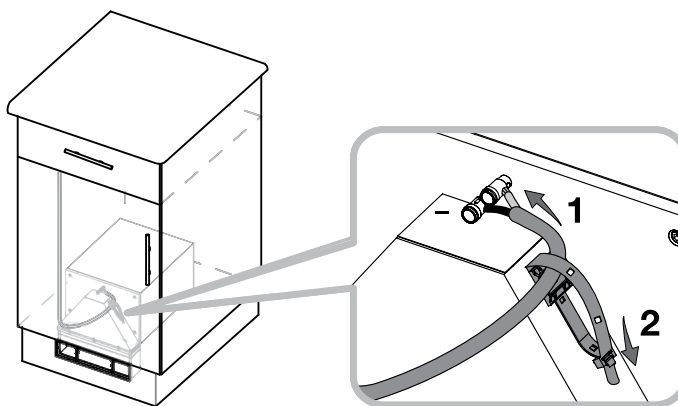
Umístěte subwoofer na spodní desku skříňky. Pokud se subwoofer kolébá, vyrovnejte jej povyšroubováním odpovídajících nožiček. Povyšroubované nožičky pak zafixujte dotažením pojistných matic směrem k ozvučnici (Obrázek 44).



Obrázek 44

Odizolujte konce kabelu a připojte je do pružinových svorek na ozvučnici. Dbejte přitom na správnou polaritu. Poté volný kabel přichyťte pomocí spony k subwooferu, aby se předešlo rezonancím (Obrázek 45).

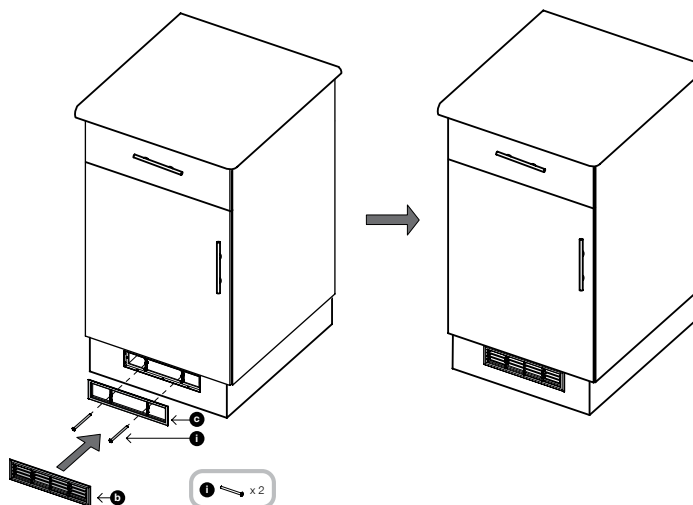
Je-li potřeba, přebarvěte mřížku vyústění.



Obrázek 45

Vložte spodní mřížku (c) na přední část otvoru připevněte ji do rámečku pomocí dvou M3 šroubů (i) skrze lišty. Neutahujte příliš silně. Mělo by být cítit mírné pružení, ale nemělo by docházet k deformaci, jinak nepůjde nasadit svrchní mřížka.

Do vyústění zacvakněte mřížku (Obrázek 46).



Obrázek 46

7 Rozehrávání

Zvuk reprosoustav se během určité doby používání mírně mění. Zvláště pokud byly reprosoustavy skladovány v chladném prostředí, nabývají závěsy membrán a některé materiály v reproduktorech teprve během provozu své správné mechanické vlastnosti. Během prvních hodin provozu se tedy jednotlivé části reproduktoru navzájem ideálně přizpůsobují. Délka tohoto procesu, během kterého reprosoustava postupně zvukově „vyzrává“ je velmi závislá na způsobu předchozího skladování a způsobu používání. Bývá pravidlem, že po zhruba týdnu teplotní stabilizace a asi 15 hodinách běžného provozu, dosáhnou použité mechanické díly svých optimálních charakteristik.

Přesto i po delší době používání (i po jednom měsíci), dochází k mírné změně zvuku. Efekt rozehrávání je patrný zvláště u vysoce kvalitních reprosoustav, u kterých je po delším rozehrávání patrné, že zvuk začne být ještě přirozenější, prohloubí se jeho předozadní prostor a zmizí náznaky ostrosti. Zároveň ve zvuku začnou být zřetelnější jemné nuance a detaily.

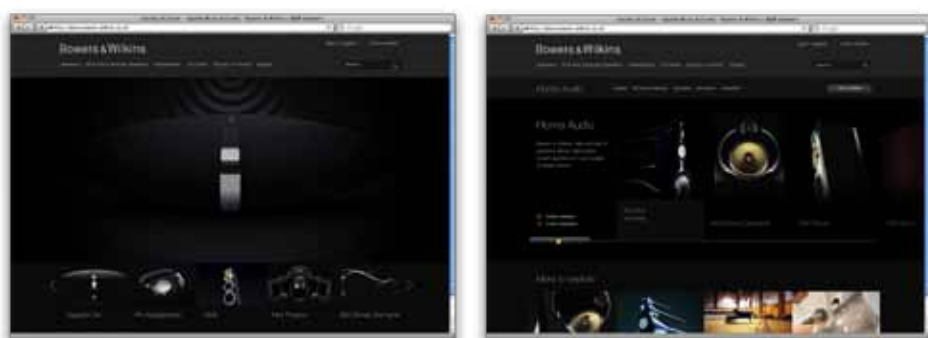
8 Údržba

Subwoofer nevyžaduje nijakou zvláštní údržbu, pouze občasné vyčištění jeho vyústění po demontáži mřížky.

Je-li subwoofer nainstalován v podlaze, demontujte občas mřížku vyústění a odstraňte vysavačem nečistoty, které do vyústění vnikly (obrázek 35).

Üdvözlí Önt a Bowers & Wilkins és az ISW-3

Köszönjük, hogy a Bowers & Wilkins-t választotta. Amikor John Bowers megalapította a cégünket, abban a hitben tette, hogy a kreatív dizájn, az innovatív tervezés és a fejlett technológia a kulcsai az otthoni zenehallgatás élvezetének. Az Ő hite az egyik ok, amiért mi folytatjuk és inspirál minket minden termékünk tervezésénél.

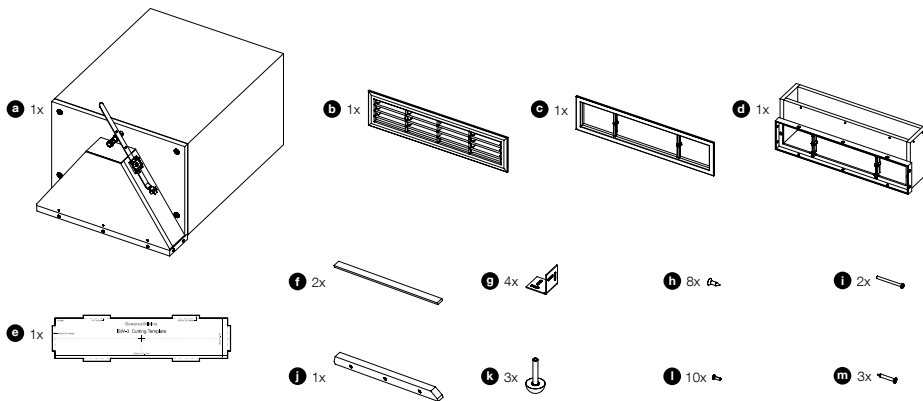


www.bowers-wilkins.com

1 Tartalom

Ellenőrizze a dobozban megtalálható tartozékokat. Ezeket az 1. ábrán láthatja:

- a. Mélysugárzó
- b. Hangnyílás takarórács (fehér)
- c. Hangnyílás adapter (fekete)
- d. Adapter
- e. Kivágási sablon
- f. Tömítő szalagok
- g. Derékszögű konzolok
- h. 8 x 12mm (0.5in) csavarok
- i. M3 x 35mm (1.38in) domború fejű csavarok
- j. Tartozék rúd
- k. Gumitalpak és anyák
- l. 4 x 10mm (0.38in) süllyesztett fejű csavarok
- m. 6 x 25mm (1in) süllyesztett fejű csavarok



1. ábra

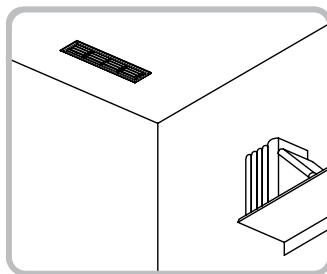
Ezen felül a dobozban megtalálható a gyors összeszerelési útmutató és a garancialevél. Ez a használati kézikönyv jóval több információt tartalmaz, mint a gyors összeszerelési útmutató.

Értesítse a kereskedőjét, amennyiben valamelyik alkatrész hiányzik vagy sérült.

2 Felhasználási lehetőségek

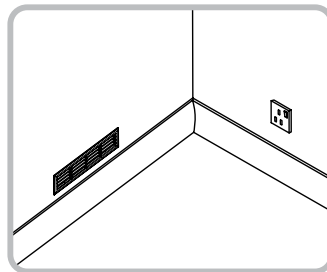
Négy lehetséges beépítési lehetőséget mutatunk be, mindegyiket külön – külön tárgyalva.

Mennyezetbe építve – új konstrukció esetén (2. ábra)
Olvassa el a 3. fejezetet.



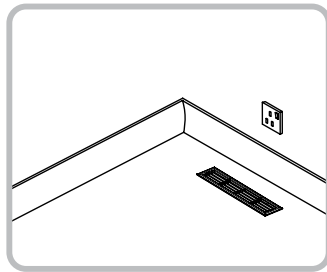
2. ábra

Falba építve – új konstrukció esetén (3. ábra)
Olvassa el a 4. fejezetet.



3. ábra

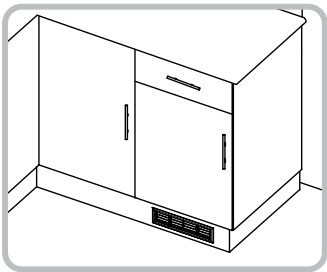
A padlóba építve (4. ábra)
Olvassa el az 5. fejezetet.



4. ábra

Konyhaszekrénybe építve (5. ábra)
Olvassa el a 6. fejezetet.

Figure 5



5. ábra

3 Mennyezeti installáció

A mélysugárzó helyigénye a mennyezeti gerendák között 40cm (16in) vagy ennél nagyobb távolság, hogy a hangnyílás rácsa elférjen a gerendák között. A gerendák külső szélétől számított mélység 25cm (10in) vagy annál nagyobb legyen.

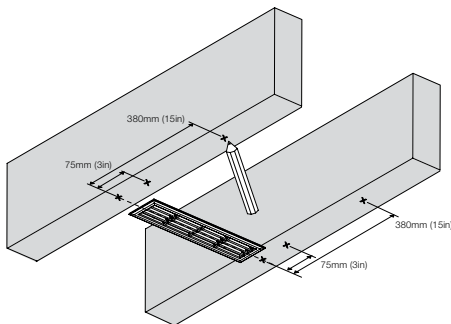
Helyezze a kívánt pozícióba a rácsot, majd jelölje meg a gerendákon a középvonalát. Ezután a középvonalától számítva körülbelül 75mm (3in) és 380mm (15in) távolságokra rajzoljon be egy újabb jelölést, a kabinet konzolok számára (6. ábra).

Csavarozza fel az L alakú konzolokat a gerendák belső oldalára (a csavar nem tartozék). Győződjön meg arról, hogy a konzolok a megfelelő szögben és szintben vannak a gerendák külső oldalával.

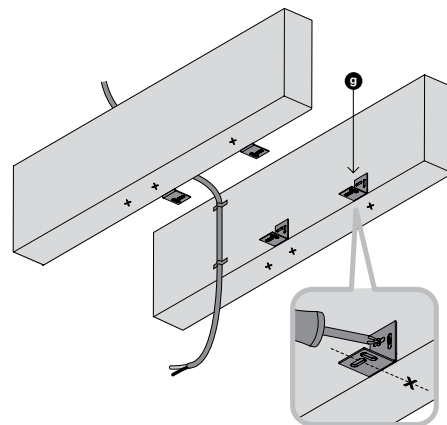
Húzza be a hangsugárzó kábelt a beüzemelés helyéhez. Rögzítse azt a gerendához, hogy ne zörögjön. A kábel utolsó rögzítési pontja a hangnyílás rács középvonalának közelében, körülbelül a gerenda külső felületével egy síkban legyen. Hagyjon szabadon lógva 30cm – 50cm (12in – 20in) vezetékét (7. ábra)

Rögzítse a tartozék rudat (j) a hangnyílás oldalához, a mellékelt három, 6 x 25mm-es csavarral (m). A furatok előre ki vannak alakítva (8. ábra).

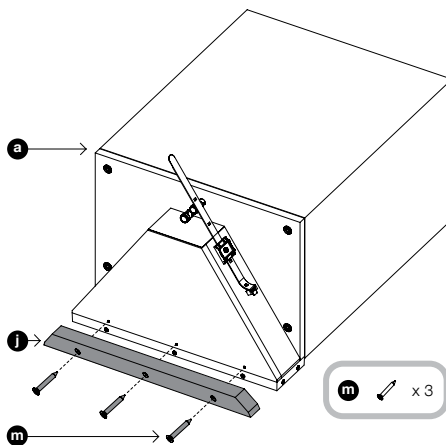
Távolítsa el a papírt az öntapadós tömítő szalag (f) hátoldaláról, az egyiket ragassza fel a tartozék rúdra, a másodikat a hangnyílás keretének másik oldalára, a mélysugárzó kabinetre. Ezek megakadályozzák, hogy a későbbiekben felszerelt gipszkarton lemez rezonáljon (9. ábra).



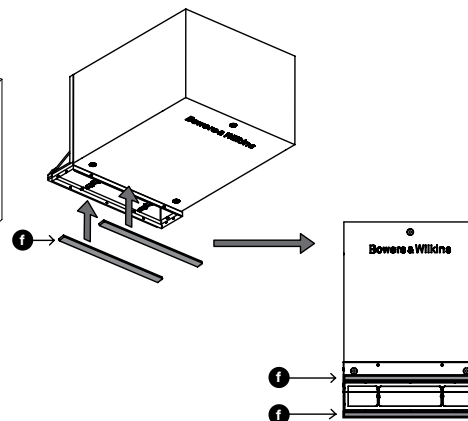
6. ábra



7. ábra



8. ábra



9. ábra

Rakja fel a mélysugárzót a négy konzolra. Ha a gerendák távolsága túl nagy és nem tudja a hangsugárzó kabinetet a konzolhoz rögzíteni, akkor egyedi megoldásokra (pld. párnafa) lehet szükség a felszerelést végző személytől.

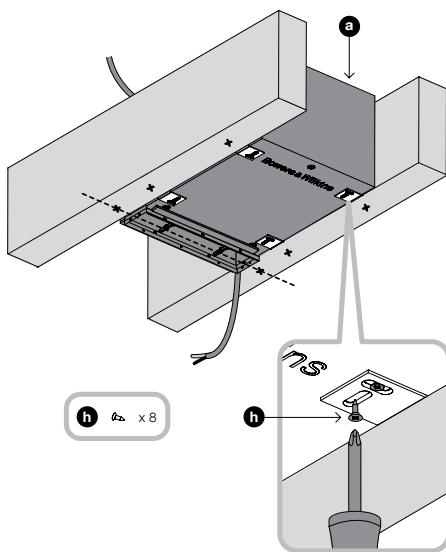
Igazítsa be a mélysugárzó hangnyílását a már felrajzolt középvonalhoz, majd állítsa be úgy, hogy mindkét gerendától egyenlő távolságra legyen.

Az L alakú konzolon keresztül rögzítse a kabinetet a mellékelt, 8 x 12mm-es önbehajtó csavarok (h) segítségével (10. ábra).

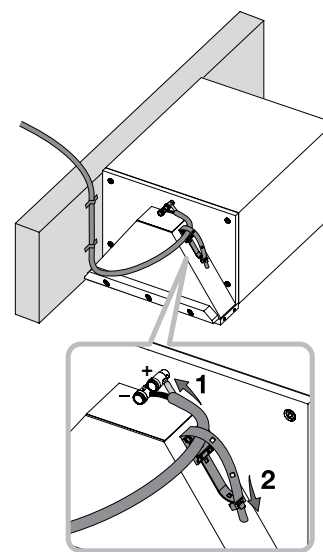
A hangnyílás kerete kilóg a gerendák síkjából.

Csupaszítsa le a kábelvégeket, majd csatlakoztassa a kabinetben található rugós aljzatokba, ügyelve a megfelelő polarításra.

A zörgést megelőzendő, a feleslegesen lógó kábelt a mélysugárzón található szorítóval rögzítheti (11. ábra).

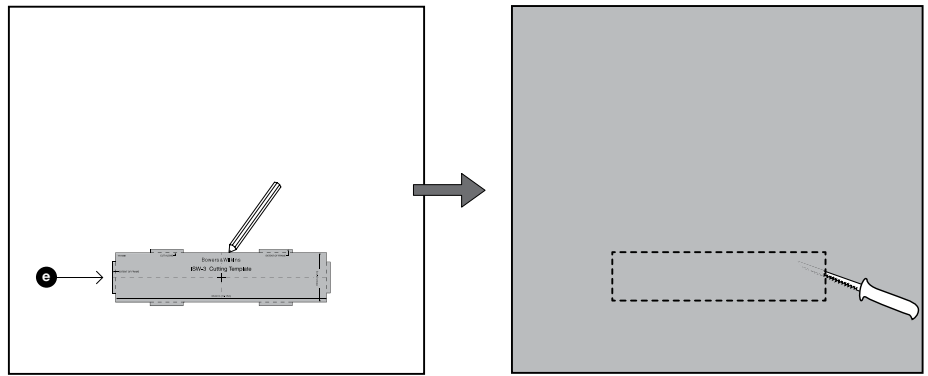


10. ábra



11. ábra

A kivágási sablon (e) használatával jelölje fel a gipszkartonra a hangnyílás rácsának méreteit. A sablon hat kilógó szegélye a rács külső méreteit mutatja, mely azért szükséges hogy az elhelyezést megkönnyítse. Ne jelölje körbe ezeket a szegélyeket, a kivágási méretet a szaggatott vonalak jelzik (12. ábra).

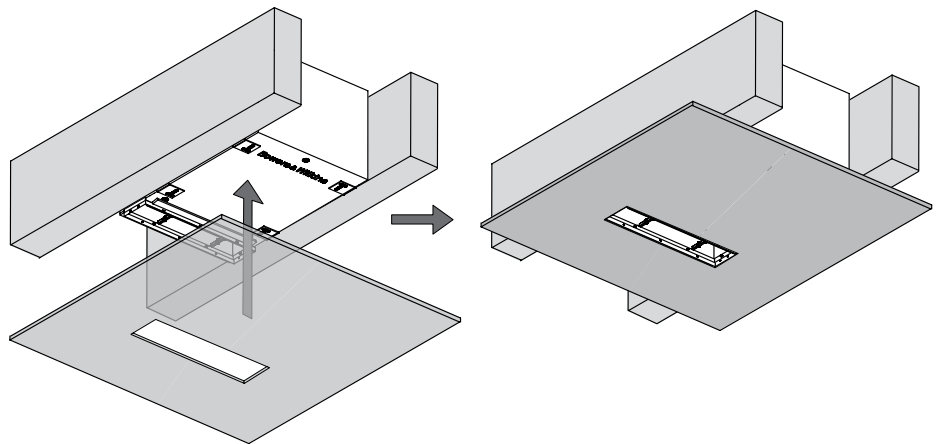


12. ábra

A mélysugárzó kabinet és a gipszkarton lap közéjavasolt rugalmas anyag használata (pld. szilikon), hogy megakadályozza a gipszkarton lap zörgését.

Illessze a gipszkarton lapot a gerendákhoz (13. ábra). Ezután elvégezheti a glettelést és a hézagok kitöltését.

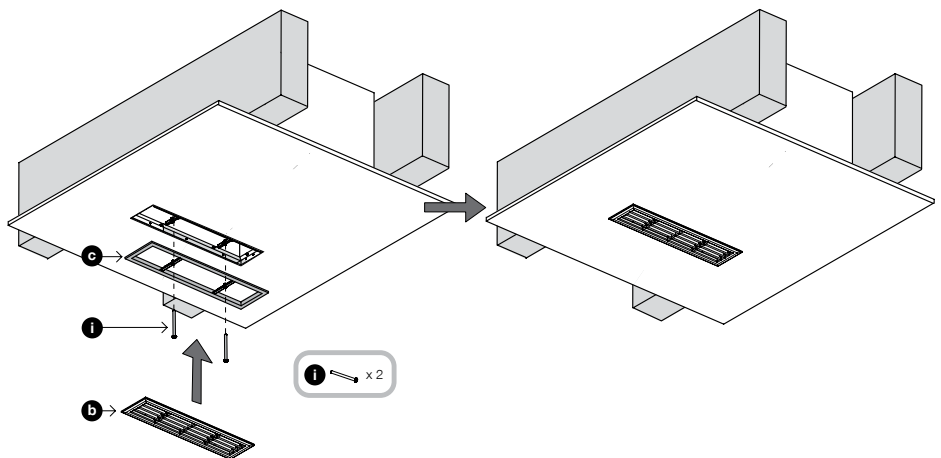
Ennél a pontnál lefestheti a mennyezetet és amennyiben szükséges a rácsot (b) is. A rács bármilyen normál festékkel átfesthető.



13. ábra

Illessze a hangnyílás adaptert (c) a nyílásba, majd rögzítse azt a mellékelt két, M3-as csavar (i) segítségével a hangnyíláshoz. Ne húzza túl a csavarokat. Előfordulhat, hogy a hangnyílás két keresztmervítője elhajlik, de az adapter nem torzulhat el, különben nem tudja a rácsot a helyére illeszteni.

Pattintsa fel a rácsot (b) az adapterre (c) (14. ábra).



14. ábra

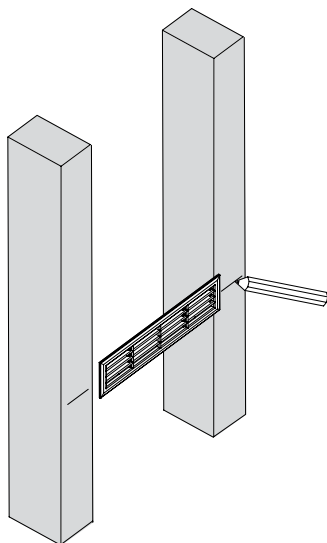
4 Fali installáció

A hangsugárzó túl mély ahhoz, hogy a szabványos 100mm (4in) falba beszerelhető legyen, de beépíthető egyedi bútorba vagy szekrénybe, melyekben könnyen kialakítható az ideális mélység és a minimális 40cm (16in) szélesség.

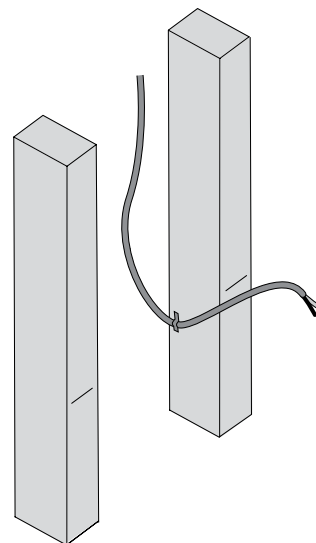
Az esetek többségében a látható hangnyílás rácsa alacsonyban a padló közelében helyezkedik el a padló szegőléceinek magasságában. Ebben az esetben a mélysugárzó hangnyílása lefele helyezkedik el.

A gerendák külső felületére húzzon a rács középvonalával megegyező vízszintes vonalat (15. ábra).

Húzza be a hangsugárzó kábelét a beüzemelés helyéhez. Rögzítse azt a gerendákhoz, hogy ne zörögjön. A kábel utolsó rögzítési pontja a hangnyílás rács középvonalának közelében, körülbelül a gerenda külső felületével egy síkban legyen. Hagyjon szabadon lógva 30cm – 50cm (12in – 20in) vezetékét (16. ábra).



15. ábra



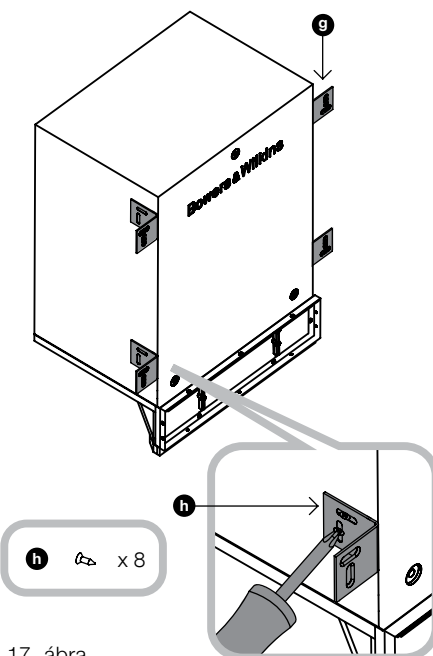
16. ábra

Csavarozza fel az L alakú konzolokat (g) a konzolokként két, 8 x 12mm-es (0.5in) csavar (h) segítségével a hangsugárzó dobozára (17. ábra)

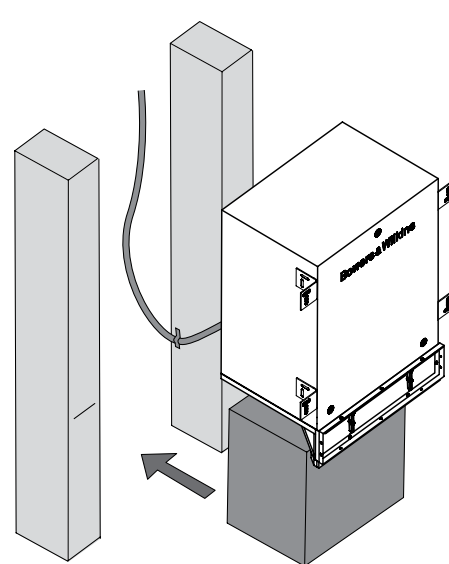
A konzolok függőleges pozíciója itt kevésbé kritikus, de ügyeljen arra, hogy a konzolok ne lógnak le a kabinetről.

Nem szükséges, de ideiglenesen alátámaszthatja a kabinetet, hogy elérje a kívánt hangnyílás magasságát.

Emelje fel a mélysugárzót a kívánt beépítési pozícióig (18. ábra).



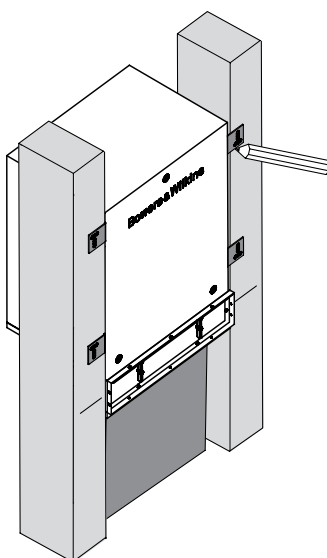
17. ábra



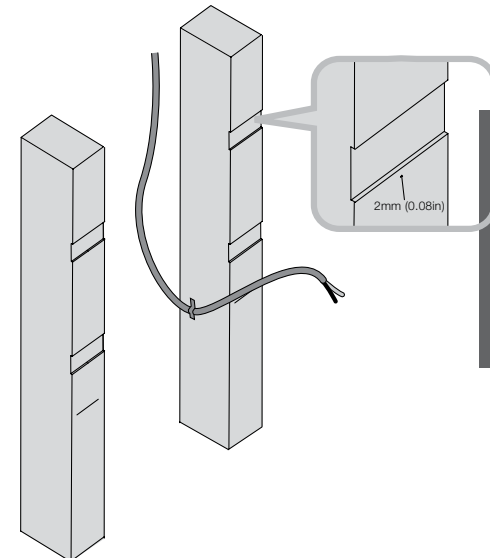
18. ábra

Jelölje fel a konzolok szélét a gerendák elejére (19. ábra).

Ezután távolítsa el a mélysugárzót és a vonalak között készítsen egy kb. 2mm (0.08 in) mélységű bemarást, így a konzolok nem nyomódnak be a gipszkarton falazatba (20. ábra).

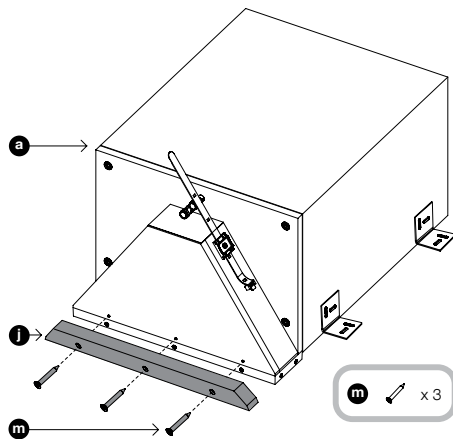


19. ábra



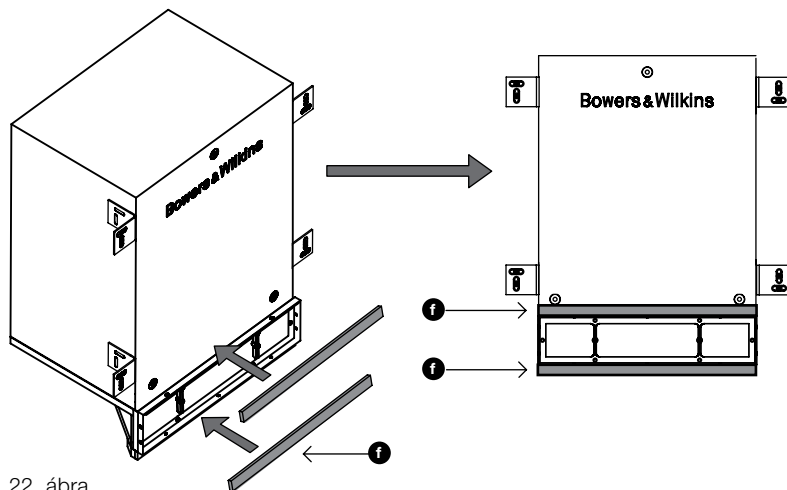
20. ábra

Rögzítse a tartozék rudat (j) a hangnyílás oldalához, a mellékelt három, 6 x 25mm-es csavarral (m). A furatok előre ki vannak alakítva (21. ábra).



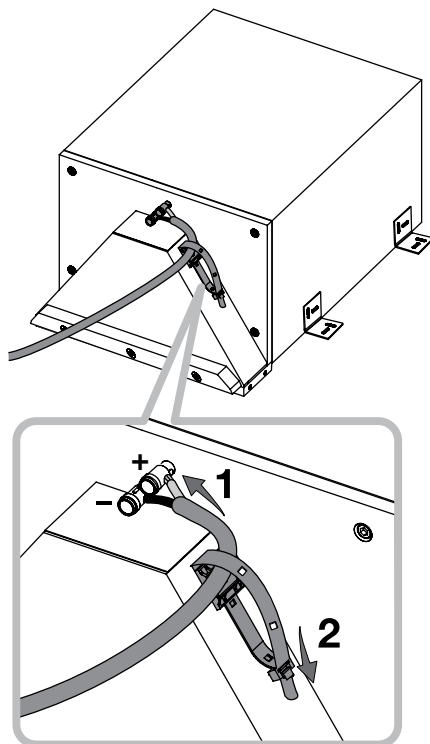
21. ábra

Távolítsa el a papírt az öntapadós tömítő szalag (f) hátoldaláról, az egyiket ragassza a tartozék rúdra, a másodikat a hangnyílás keretének másik oldalára, a mélysugárzó kabinetjére. Ezek megakadályozzák, hogy a későbbiekben felszerelt gipszkarton lemez rezonáljon (22. ábra).



22. ábra

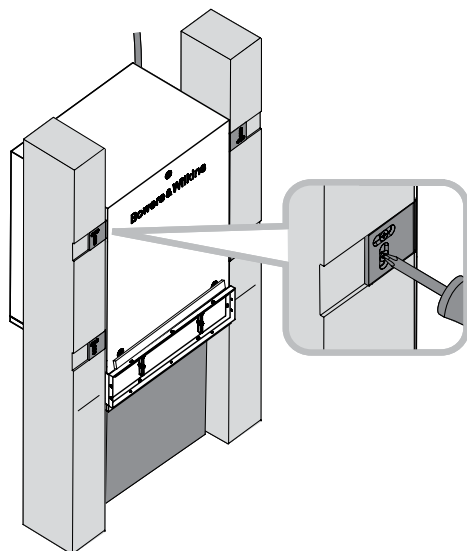
Helyezze a mélysugárzót a beszerelési pozícióba. Csupaszítsa le a kábelvégeket, majd csatlakoztassa a kabineten található rugós aljzatokba, ügyelve a megfelelő polarításra. A zörgést megelőzendő, a feleslegesen lógó kábelt a mélysugárzón található szorítóval rögzítheti (23. ábra).



23. ábra

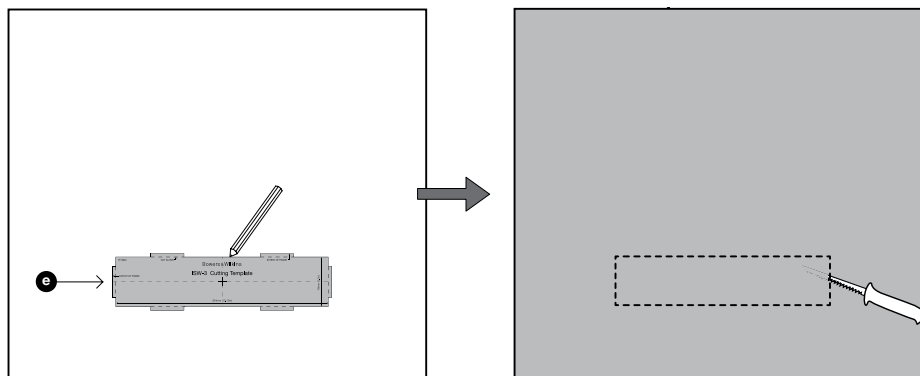
Amennyiben szükséges használjon alátéteket, hogy a mélysugárzó konzolok a gerendák kimart nyílásaiba illeszkedjenek. Csavarozza a konzolokat a gerendákhoz (a csavar nincs mellékelve) (24. ábra).

A rögzítés után eltávolíthatja az ideiglenes alátéteket.



24. ábra

A kivágási sablon (e) használatával jelölje fel a gipszkartonra a hangnyílás rácsának méreteit. A sablon hat kilógó szegélye a rács külső méreteit mutatja, mely azért szükséges hogy az elhelyezést megkönnyítse. Ne jelölje körbe ezeket a szegélyeket, a kivágási méretet a szaggatott vonalak jelzik (25. ábra).

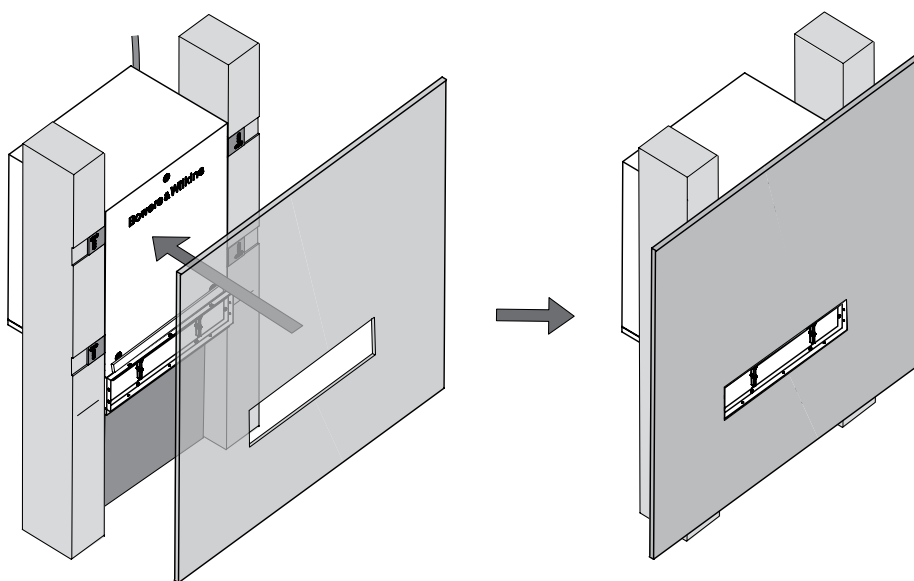


25. ábra

A mélysugárzó kabinet és a gipszkarton lap közé javasolt rugalmas anyag használata (pld szilikon), hogy megakadályozza a gipszkarton lap zörgését.

Illessze a gipszkarton lapot a gerendákhoz (26. ábra). Ezután elvégezheti a glettelést és a hézagok kitöltését.

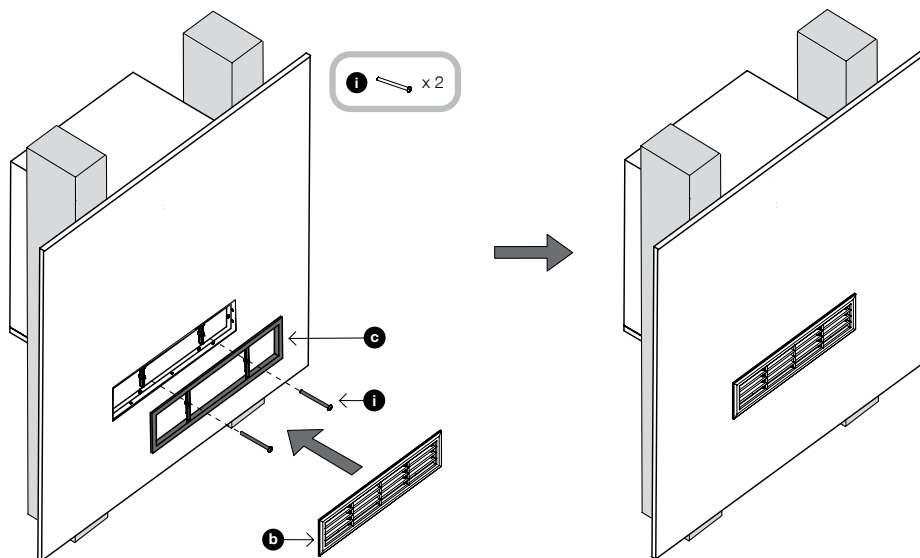
Ennél a pontnál lefestheti a falat, és amennyiben szükséges a rácsot (b) is. A rács bármilyen normál festékkel átfesthető.



26. ábra

Illessze a hangnyílás adaptert (c) a nyílásba, majd rögzítse azt a mellékelt két, M3-as csavarral (i) a hangnyíláshoz. Ne húzza túl a csavarokat. Előfordulhat, hogy a hangnyílás két keresztmértője elhajlik, de az adapter nem torzulhat el, különben nem tudja a rácsot a helyére illeszteni.

Pattintsa fel a rácsot (b) az adapterre (c) (27. ábra).



27. ábra

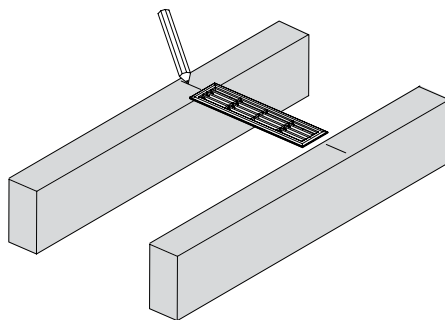
5 Beépítés a padló alá

A mélysugárzó helyigénye a gerendák között 40cm (16in) vagy nagyobb távolság, hogy a látható hangnyílás rácsa elérjen a gerendák között. A gerendák külső szélétől számított mélység 25cm (10in) vagy annál nagyobb legyen.

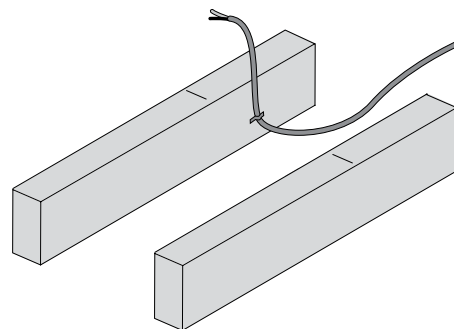
Ha vastag szőnyeg lesz a padlón, akkor nem javasoljuk ezt a típusú beépítést. Rövid szőrű szőnyeg vagy padlószőnyeg lapok használatakor körültekintően használja a terméket.

Helyezze a kívánt pozícióba a rácsot, majd jelölje meg mindkét gerendán a középvonalat (28. ábra).

Húzza be a hangsugárzó kábelt a beüzemelés helyéhez. Rögzítse azt a gerendákhoz, hogy ne zörögjön. A kábel utolsó rögzítési pontja a hangnyílás rács középvonalának közelében, körülbelül a gerenda külső felületével egy síkban legyen. Hagyjon szabadon lógva 30cm – 50cm (12in – 20in) vezetékét (29. ábra).



28. ábra

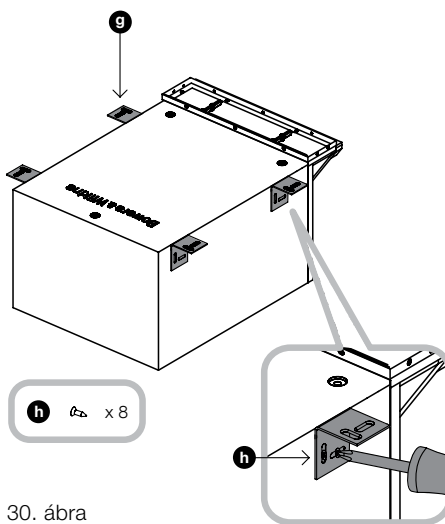


29. ábra

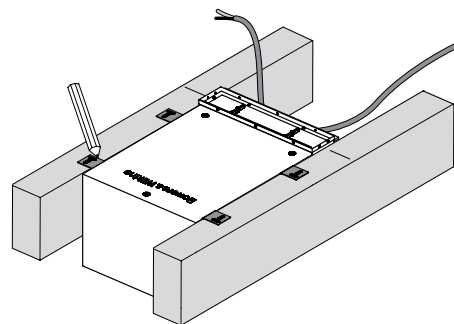
Csavarozza fel az L alakú konzolokat (g) a konzolokként két, 8 x 12mm-es (0.5in) csavar (h) segítségével a hangsugárzó dobozára. A konzolok pozíciója itt kevésbé kritikus, de figyeljen arra, hogy a konzolok ne lógnak le a kabinetről.

Helyezze el a mélysugárzót a két gerenda közé úgy, hogy a gerendákra feküdjenek fel a konzolok (31. ábra)

Ha a gerendák távolsága túl nagy és nem tudja a hangsugárzó kabinetjét a konzolhoz rögzíteni, akkor egyedi megoldásokra (pld. párnafa) lehet szükség a felszerelést végző személytől.



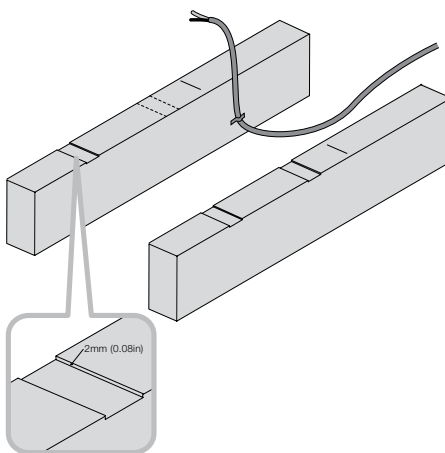
30. ábra



31. ábra

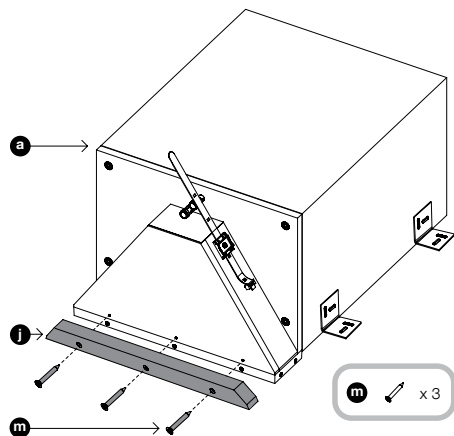
Igazítsa be a mélysugárzó hangnyílását a már felrajzolt középvonalhoz, úgy, hogy mindkét gerendától egyenlő távolságra legyen. Ezután a gerendákon jelölje körbe a konzolokat.

Ezután távolítsa el a mélysugárzót és a vonalak között készítsen egy kb. 2mm (0.08 in) mélységű bemarást, így a konzolok nem nyomódnak bele a padlóba (32. ábra).



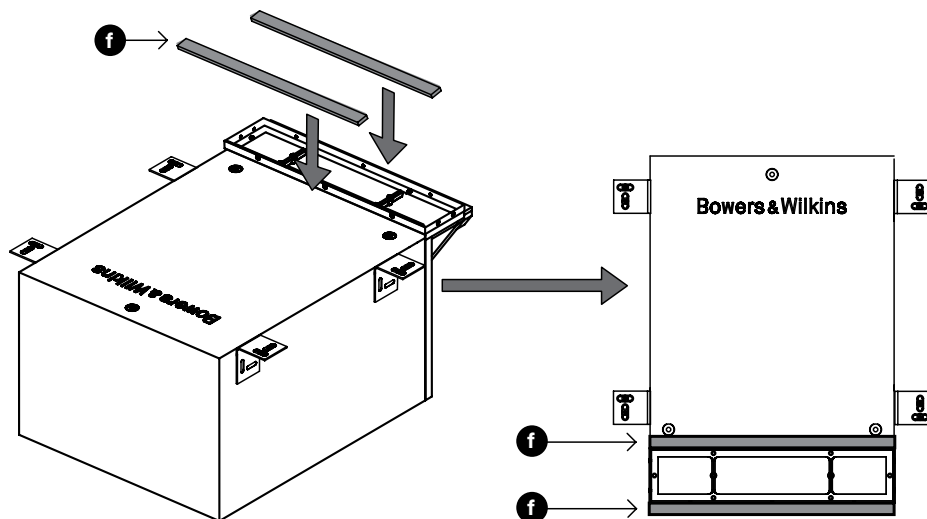
32. ábra

Rögzítse a tartozék rudat (j) a nyílás oldalához, a mellékelt három, 6 x 25mm-es csavarral (m). A furatok előre ki vannak alakítva (33. ábra).



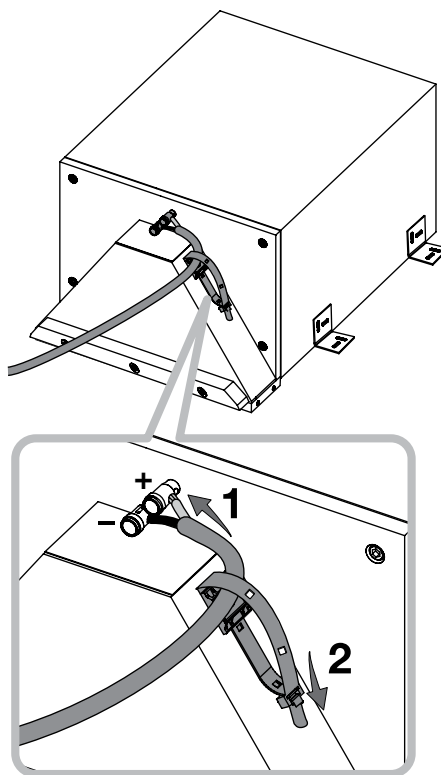
33. ábra

Távolítsa el a papírt az öntapadós tömítő szalag (f) hátoldaláról, az egyiket ragassza a tartozék rúdra, a másikat a hangnyílás keretének másik oldalára, a mélysugárzó kabinetjére. Ezek megakadályozzák, hogy a későbbiekben felszerelt padló rezonáljon (34. ábra).



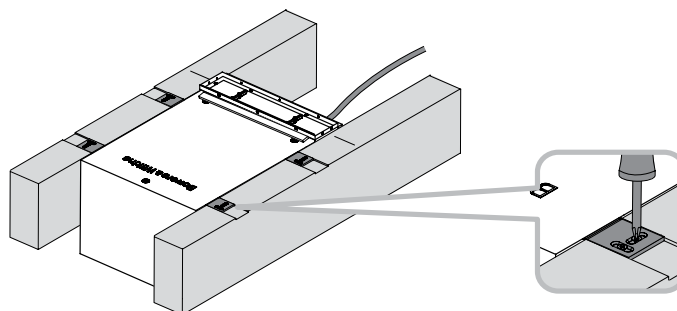
34. ábra

Helyezze a mélysugárzót a beszerelési pozíció közelébe. Csupaszítsa le a kábelvégeket, majd csatlakoztassa a kabineten található rugós aljzatokba, ügyelve a megfelelő polaritásra. A zörgést megelőzendő, a feleslegesen lógó kábelt a mélysugárzón található szorítóval rögzítheti (35. ábra).



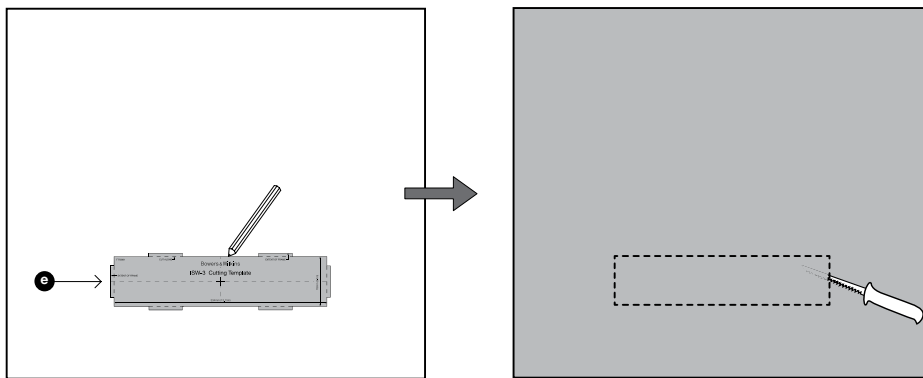
35. ábra

Helyezze a mélysugárzót a pontos pozíciójába, majd csavarozza a konzolokat a gerendákhoz (a csavar nincs mellékelve) (36. ábra).



36. ábra

Ha laminált padlóval burkolja a padlót, akkor a kivágási sablon (e) használatával jelölje fel a hangnyílás rácsának méreteit. A sablon hat kilógó szegélye a rács külső méreteit mutatja, mely azért szükséges hogy az elhelyezést megkönnyítse. Ne jelölje körbe ezeket a szegélyeket, a kivágási méretet a szaggatott vonalak jelzik (37. ábra).



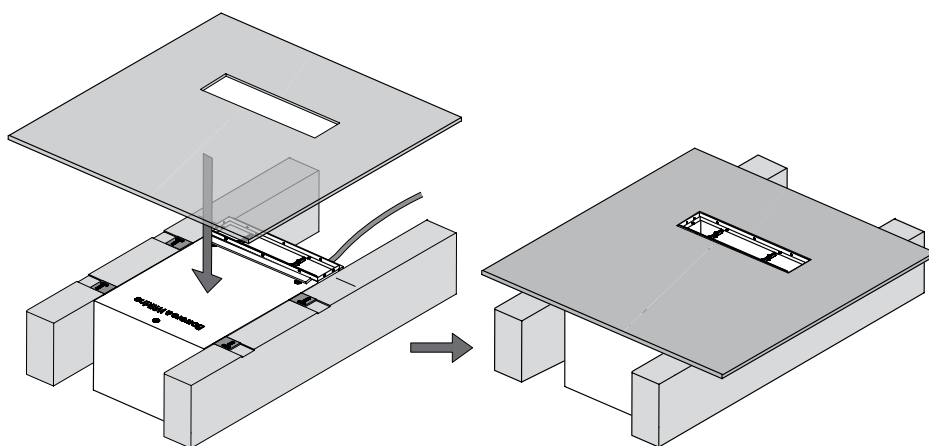
37. ábra

A mélysugárzó kabinet és a gipszkarton lap közé javasolt rugalmas anyag használata (pld szilikon), hogy megakadályozza a gipszkarton lap zörgését.

Laminált padló használata esetén, vágja ki a hangnyílás helyét és ezután illessze a helyére.

Hagyományos parketta használata esetén, először a hangnyílás körül rakja le a parkettát.

Ha szükséges fesse át a rácsot.



38. ábra

Illessze a hangnyílás adaptert (c) a nyílásba, majd rögzítse azt a mellékelt két, M3-as csavarral (i) a hangnyíláshoz. Ne húzza túl a csavarokat. Előfordulhat, hogy a hangnyílás két keresztmértője elhajlik, de az adapter nem torzulhat el, különben nem tudja a rácsot a helyére illeszteni.

Pattintsa fel a rácsot (b) az adapterre (c) (39. ábra).

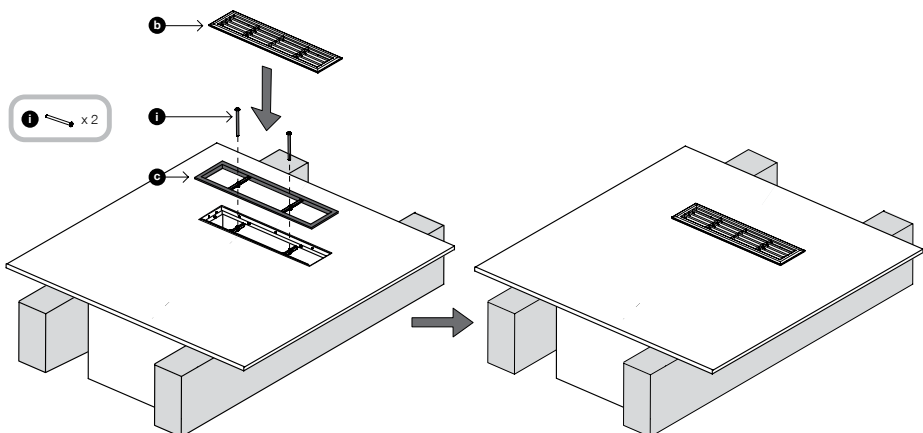


Figure 39
39. ábra

Figure 39

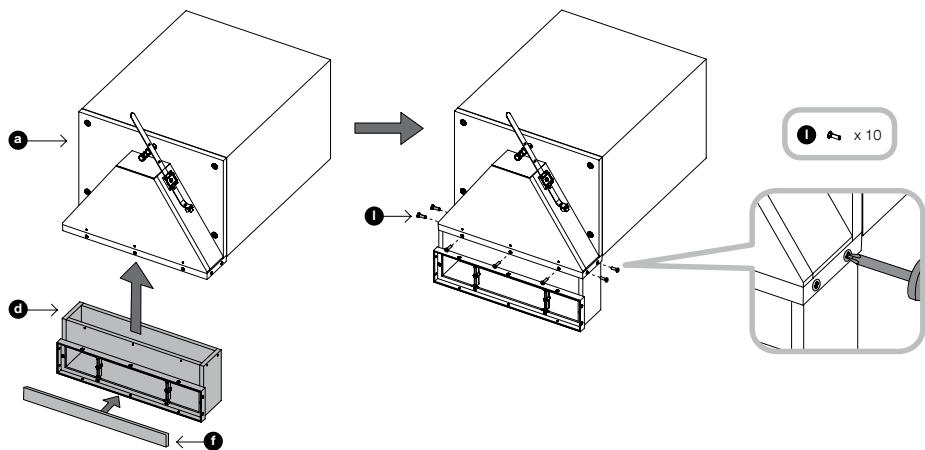
6 Beépítés konyhaszekrénybe

A mélysugárzót a szekrény alsó polcára kell elhelyezni, a hangnyílás pedig a lábázatban lesz kivezetve, a szekrény ajtaja alatt.

Távolítsa el a papírt az egyik öntapadós tömítő szalag (f) hátoldaláról és ragassza fel az adapter hangnyílásának a peremére.

Illessze az adaptert (d) a mélysugárzó hangnyílásához, majd a mellékelt 10db, 4 x 10mm-es csavar (l) segítségével, rögzítse azt (40. ábra).

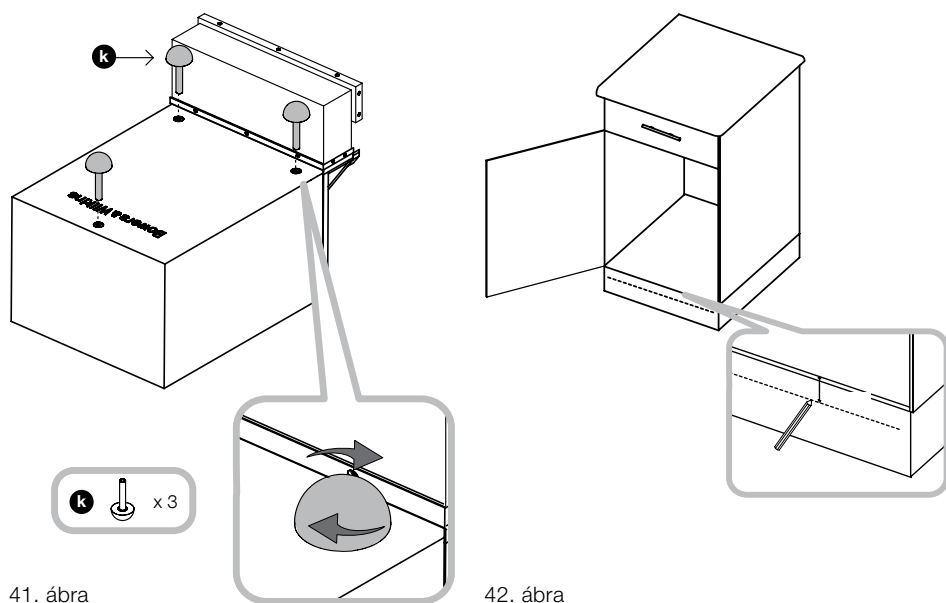
Az illesztésnél előre rögzített tömítő szalagok találhatóak. Ezek összenyomódnak mikor felszereli az adaptert a hangnyílásra. Amennyiben az adapter és a hangnyílás furatai nem fedik egymást, akkor a tömítő szalag nincs eléggé összenyomva.



40. ábra

Győződjön meg arról, hogy az anyák teljesen le legyenek csavarva a gumilábak (k) menetes szárain. Ezután csavarja be teljesen a három lábat a mélysugárzó megfelelő furataiba (41. ábra)

! Húzzon egy jelölő vonalat a lábazatra, az alsó polctól 30mm (1.2in) távolságra. A kivágandó nyílás teteje nem lehet a vonal alatt (42. ábra).



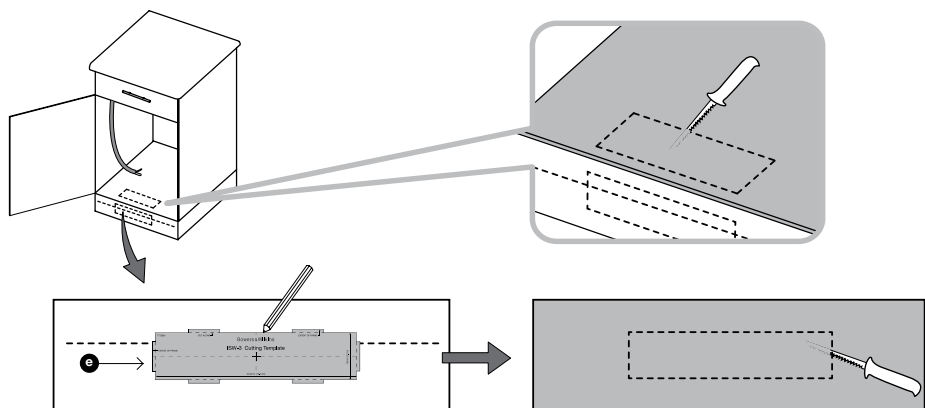
41. ábra

42. ábra

! A kivágási sablont használva jelölje ki a nyílás kívánt helyét. Győződjön meg arról, hogy a rajz teteje egyenes legyen és a jelölő vonal felett helyezkedjen el.

Vágja ki a lábazati nyílást, majd vágjon egy másik nyílást az alsó polcra is, hogy az adapter beférjen. A felső nyílás eleje a lábázat hátlapjával legyen egyvonalban (43. ábra)

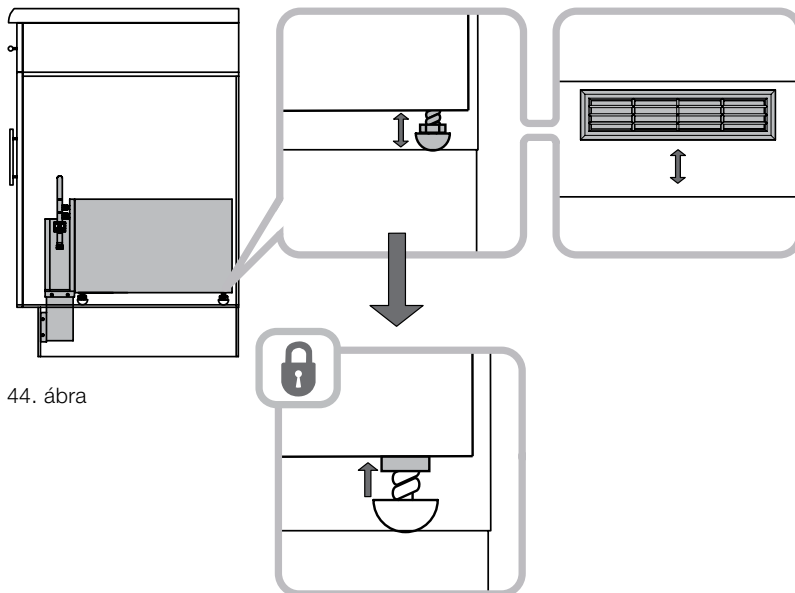
Most már behúzhatja a hangszugárzó kábelt.



43. ábra

Helyezze a mélysugárzót az alsó polcra. Ha szükséges csavarja ki a gumilábakat, hogy az adapter hangnyílása és a lábazatba kivágott nyílás egy vonalba kerüljön. Fogja meg a gumilábakat, amíg az anyák segítségével rögzíti a mélysugárzó megfelelő pozícióját (44. ábra).

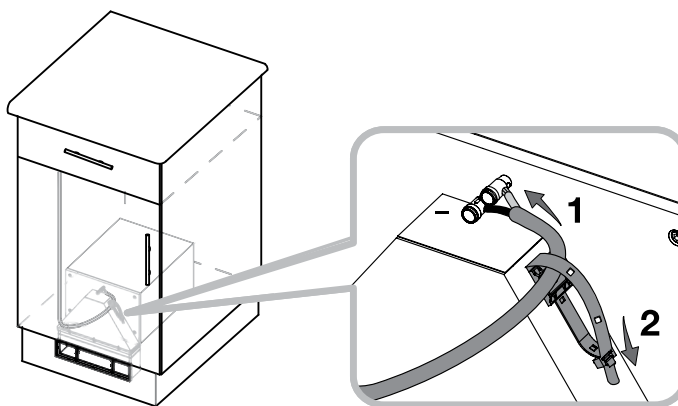
Figure 44



44. ábra

Csupaszítsa le a kábelvégeket, majd csatlakoztassa a kabinetben található rugós aljzatokba, ügyelve a megfelelő polarításra. A zörgést megelőzendő, a feleslegesen lógó kábelt a mélysugárzón található szorítóval rögzítheti (45. ábra).

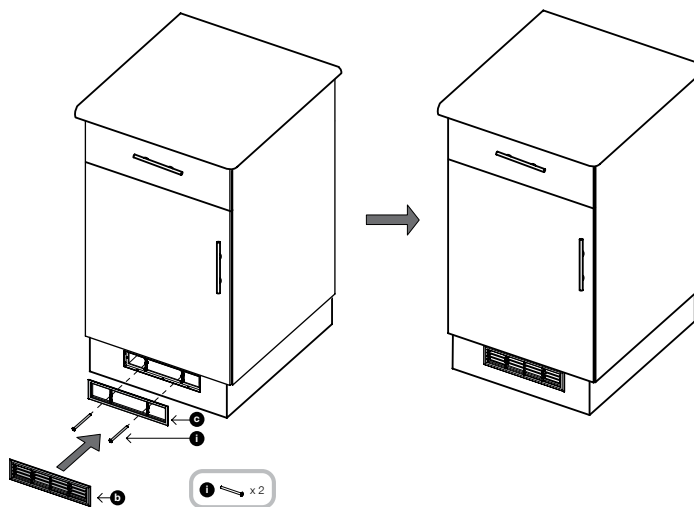
Ha szükséges fesse át a rácsot.



45. ábra

Illesse a hangnyílás adaptert (c) a nyílásba, majd rögzítse azt a mellékelt két, M3-as csavarral (i) a hangnyíláshoz. Ne húzza túl a csavarokat. Előfordulhat, hogy a hangnyílás két keresztmerezítője elhajlik, de az adapter nem torzulhat el, különben nem tudja a rácsot a helyére illeszteni.

Pattintsa fel a rácsot (b) az adapterre (c) (46. ábra).



46. ábra

7 Bejáratási időszak

A hangminőség a kezdeti időszakban változni fog. Ha a hangsugárzó hideg környezetben volt tárolva, akkor időbe telik, amíg a csillapító és felfüggesztő anyagok a megfelelő mechanikus tulajdonságaikat visszanyerik. A hangszóró felfüggesztések az első néhány óra használat után szintén bejáratódnak. A végleges hangminőség eléréséhez szükséges idő a tárolási feltételektől, és a használat gyakoriságától is függ. Megközelítőleg egy hétre van szükség a hőmérsékleti hatások stabilizálódásához és 15 óra használatra, hogy a mechanikus alkatrészek elérjék a tervezett jellemzőiket.

Ennek ellenére hosszabb bejáratási időszakokról is kaptunk hírt (akár egy hónap), azonban a hangsugárzó tulajdonságai ennyi idő után már nem változnak, csak a hallgatónak tart hosszabb ideig az új hangzás megszokása.

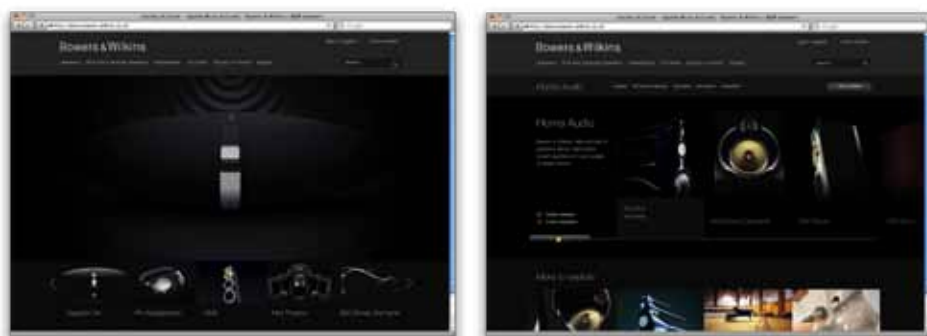
8 Ápolás

A mélysugárzó nem igényel különösebb karbantartást, azonban időnként vegye le és tisztítsa meg a rácsot.

Ha a mélysugárzó a padló alá került beépítésre, időnként vegye le a rácsot majd porszívózza ki a hangnyílásban lerakódott port és távolítsa el az esetlegesen beesett törmelékét (35. ábra).

Witamy w Bowers & Wilkins i przedstawiamy ISW-3

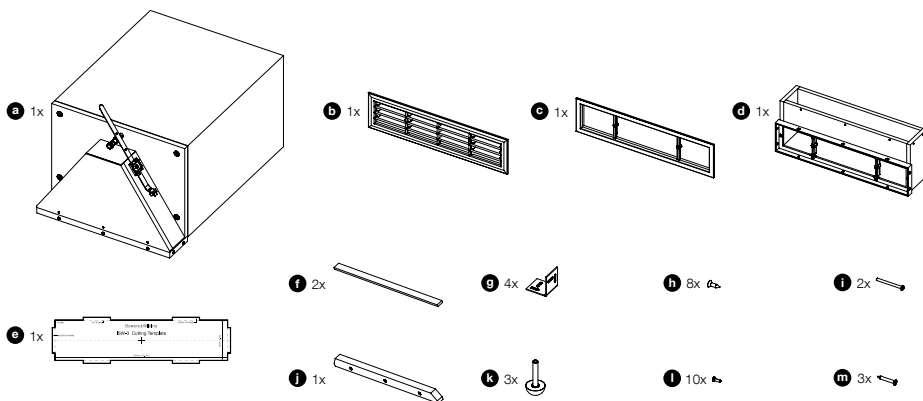
Dziękujemy za wybór produktu firmy Bowers & Wilkins. John Bowers założył swoją firmę, ponieważ uważał, iż ciekawy wygląd, innowacyjna konstrukcja i zaawansowana technologia są kluczami do rozkoszowania się dźwiękiem w domowym zaciszu. Ta właśnie wizja towarzyszy nam i inspirowała każdy produkt, który tworzymy.



1 Zawartość kartonu

Sprawdź czy karton zawiera wszystkie elementy przedstawione na Rysunku 1.

- a. Subwoofer
- b. Kratka maskownicy (biała)
- c. Ramka maskownicy (czarna)
- d. Osłona
- e. Wzornik
- f. Pasek uszczelniający
- g. Wspornik kątowy
- h. Śruby 12 mm
- i. Śruby M3 35 mm
- j. Wspornik listwowy
- k. Nóżki gumowe i nakrętki
- l. Śruby 10 mm
- m. Śruby 25 mm



Rysunek 1

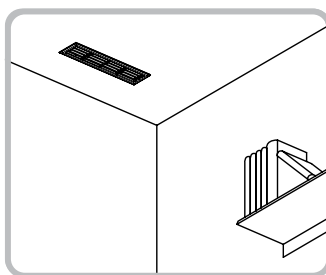
Poza tym, w kartonie powinny znajdować się broszura Quick Start Guide i ulotka dotycząca gwarancji. Niniejsza instrukcja zawiera więcej szczegółów niż broszura Quick Start Guide.

Skontaktuj się ze sprzedawcą jeśli brakuje jakichś części lub wyglądają one na uszkodzone.

2 Zastosowanie

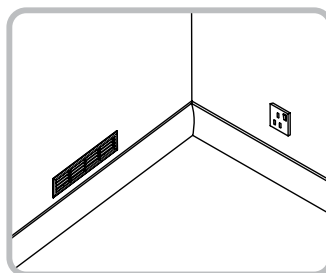
Są cztery możliwe zastosowania subwoofera ISW-3, każda opisana w osobnej sekcji instrukcji:

Sufitowe – tylko w przypadku nowych konstrukcji (Rysunek 2)
Przejdź do sekcji 3.



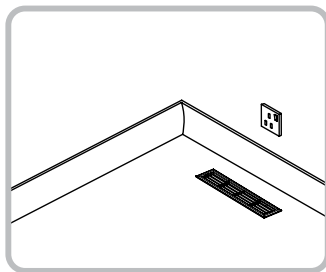
Rysunek 2

Ścienne – tylko w przypadku nowych konstrukcji (Rysunek 3)
Przejdź do sekcji 4.



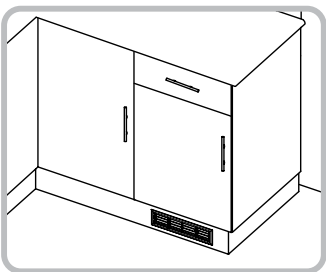
Rysunek 3

Pod podłogą (Rysunek 4)
Przejdź do sekcji 5.



Rysunek 4

W zabudowie kuchennym (Rysunek 5)
Przejdź do sekcji 6.



Rysunek 5

3 Instalacja w suficie

Głośnik mieści się pomiędzy belkami stropowymi o standardowym rozstawie 40 cm w taki sposób, że kratka maskownicy wypełnia przestrzeń między belkami. Do instalacji potrzebna jest dodatkowo przestrzeń 25 cm lub więcej do wewnątrz belek stropowych.

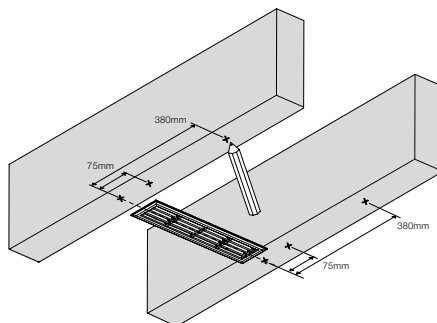
Zaznacz na obu belkach stropowych oś pożądaną pozycję zamocowania maskownicy. Dodatkowo zaznacz jeszcze na obu belkach punkty odległe o odpowiednio 75mm i 380mm od osi zamocowania maskownicy – potrzebne do montażu wsporników kątowych (Rysunek 6).

Przykręć cztery wsporniki (g) jak pokazano na rysunku pionowo do wewnętrznych brzegów belek stropowych. Upewnij się, że wsporniki są pod kątem prostym i przylegają do belek.

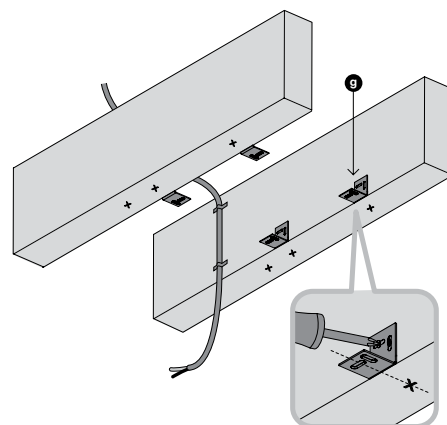
Poprowadź przewód głośnikowy do miejsca instalacji. Przytwierdź przewód do belek, aby nie drgał, ostatni zacisk umieść blisko do zaznaczonej wcześniej osi zamocowania maskownicy. Zostaw około 30 – 50 cm przewodu poza miejscem instalacji (Rysunek 7).

Zamocuj wspornik listwowy (j) do osłony za pomocą trzech śrub 25 mm (m) i wcześniej wywierconych otworów (Rysunek 8).

Usuń papier pokrywający i przyklej dwa samoprzylepne paski uszczelniające (f), jeden do listwy, drugi do obudowy po drugiej stronie ramki maskownicy. Pozwólą one na ściślejsze przyleganie do ścianki gipsowej i uniknięcie drgań (Rysunek 9).

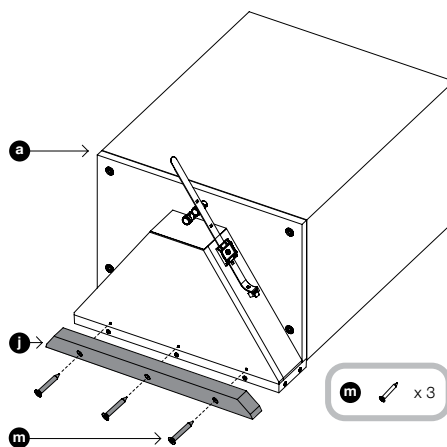


Rysunek 6

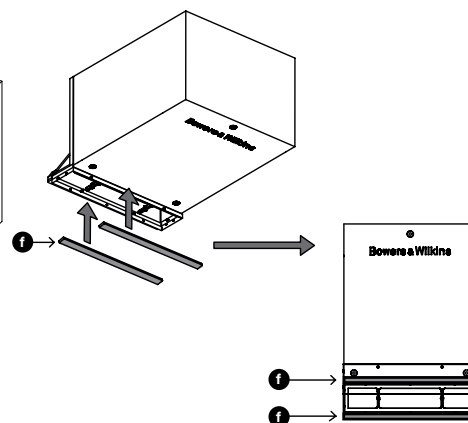


Rysunek 7

Zamocuj wspornik listwowy (j) do osłony za pomocą trzech śrub 25 mm (m) i wcześniej wywierconych otworów (Rysunek 8).



Rysunek 8



Rysunek 9

Zawieś głośnik na czterech wspornikach kątowych. Jeśli odległość między belkami stropowymi jest za duża i uniemożliwia przykręcenie obudowy do wsporników za pomocą śruby będzie potrzebna specjalna konstrukcja zaproponowana przez profesjonalnego instalatora.

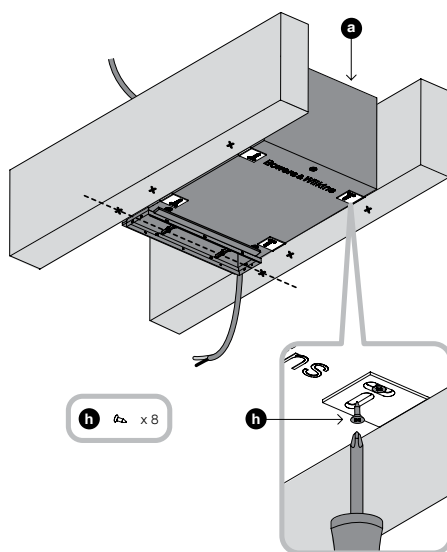
Umieść maskownicę na wcześniej zaznaczonej na belkach osi zamocowania maskownicy i ustaw pod kątem prostym do ścianek.

Zamocuj obudowę za pomocą śrub 12 mm (h) wkręcając je przez otwory w wspornikach kątowych do obudowy (Rysunek 10).

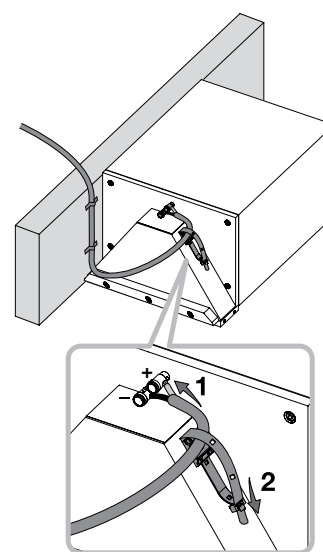
Ramka maskownicy będzie lekko wystawać poza powierzchnię belek stropowych.

Usuń izolację przewodu i podłącz przewód do terminali na obudowie, zwracając uwagę na prawidłową polaryzację.

Aby uniknąć drgań, przymocuj zwisający przewód używając zacisku na subwooferze (Rysunek 11).

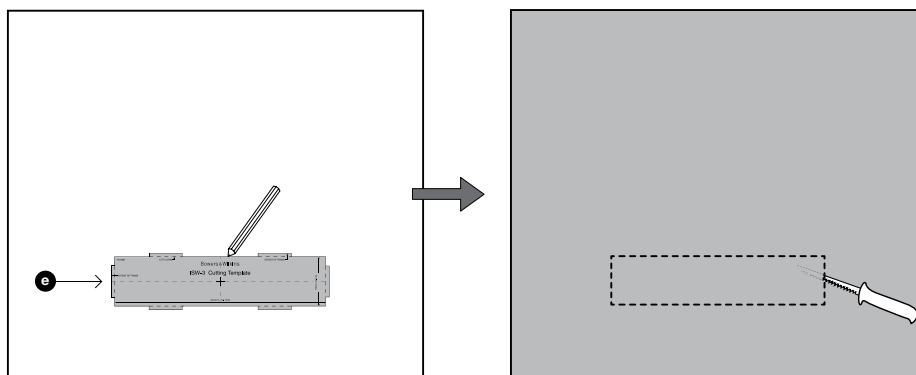


Rysunek 10



Rysunek 11

Użyj wzornika (e) aby zaznaczyć otwór na płycie gipsowej. Sześć wybruszeń na wzorniku odpowiada wymiarom zewnętrznym kratki maskownicy i zostały umieszczone na wzorniku, aby zapewnić odpowiednią ilość miejsca. Nie prowadź linii zaznaczenia wokół tych wybruszeń, ale raczej przez przerywane linie, które przecinają te wybruszenia (Rysunek 12).

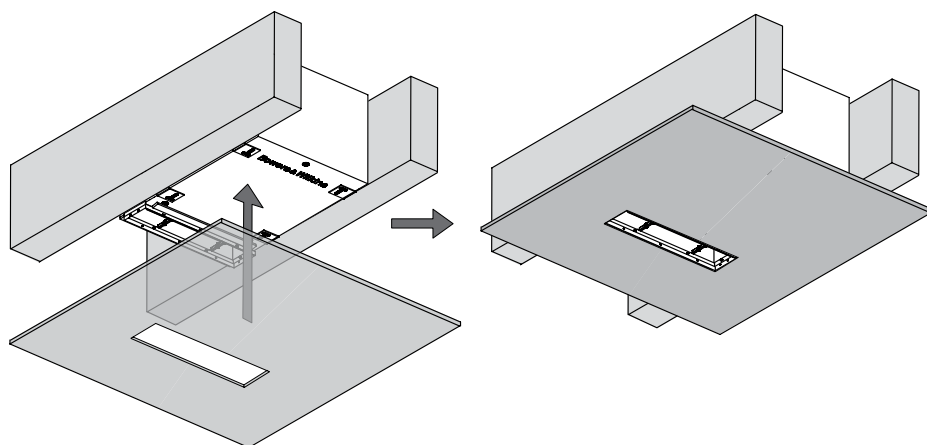


Rysunek 12

W tym momencie, możesz do czola obudowy subwoofera przykleić kit, aby zapobiec przyszłym drganiom subwoofera w stosunku do sufitu.

Zamocuj płytę gipsową do belek stropowych (Rysunek 13) i wygładź ostatecznie płytę.

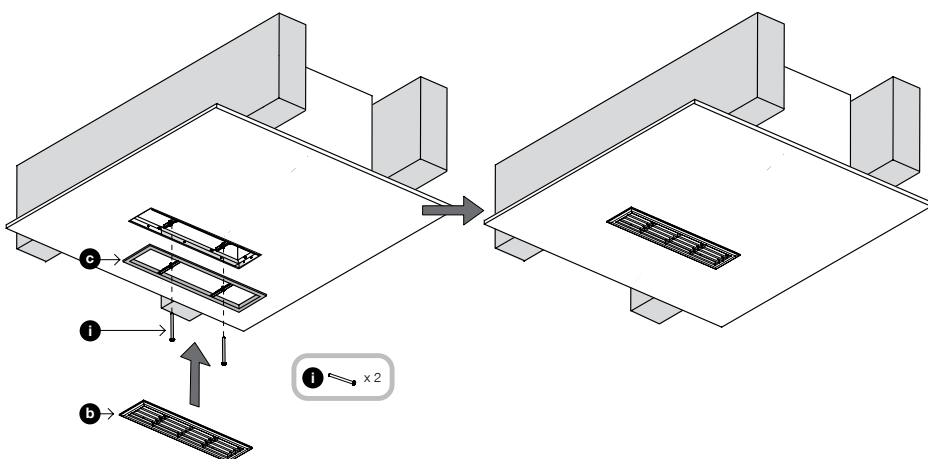
Pomaluj sufit na tym etapie i jeśli chcesz pomaluj również ramkę maskownicy (b). Część ta przyjmie wszystkie rodzaje normalnych farb do ścian.



Rysunek 13

Zamocuj maskownicę (c) do frontu otworu i zamocuj do ramki maskownicy za pomocą dwóch śrub M3 (i) wkręconych przez dwie listwy poprzeczne ramki. Nie skręć śrub za mocno. W listwach ramki poczujesz opór, ale otoczenie nie powinno zostać naruszone – w innym przypadku kratka maskownicy nie zostanie odpowiednio zamocowana.

Przytwierdź kratkę (b) do maskownicy (c) (Rysunek 14)



Rysunek 14

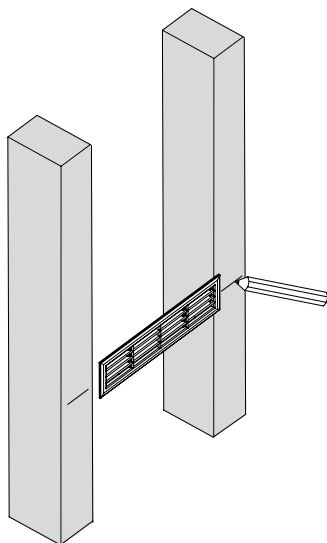
4 Instalacja w ścianie

Subwoofer jest zbyt głęboki, aby zmieścić się w ścianie o standardowej grubości (100 mm), ale może być zamocowany w odpowiedniej konstrukcji lub obudowie, która będzie dostatecznie głęboka z belkami o standardowym rozstawie (40 cm lub więcej).

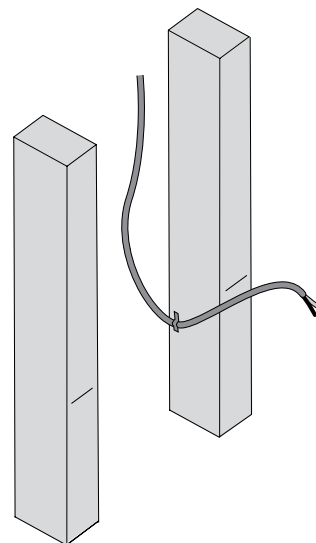
W większości przypadków maskownica powinna być zamocowana nisko na ścianie, tuż nad listwą podłogową. W tym przypadku obudowa subwoofera wraz z osłoną będzie skierowana ku dołowi.

Na froncie obu belek narysuj poziomą linię zaznaczającą oś zamocowania maskownicy (Rysunek 15).

Poprowadź przewód głośnikowy do miejsca instalacji. Przytwierdź przewód do belek, aby nie drgał, ostatni zacisk umieść blisko zaznaczonej wcześniej osi zamocowania maskownicy. Zostaw około 30 – 50 cm przewodu poza miejscem instalacji (Rysunek 16).



Rysunek 15



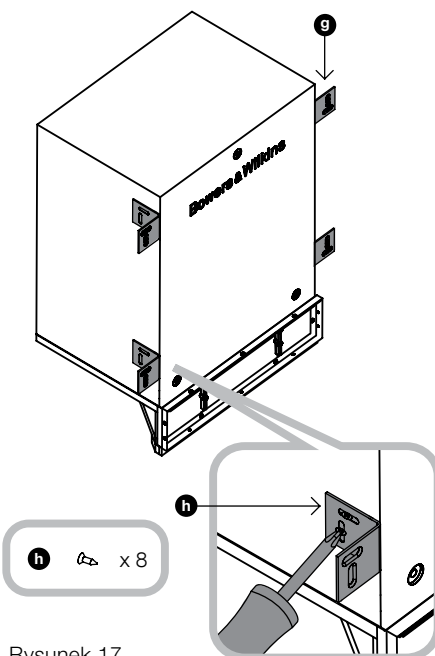
Rysunek 16

Przykręć cztery wsporniki (g) jak pokazano na rysunku pionowo do zewnętrznych brzegów obudowy subwoofera za pomocą dwóch śrub 12 mm (h) na każdy wspornik.

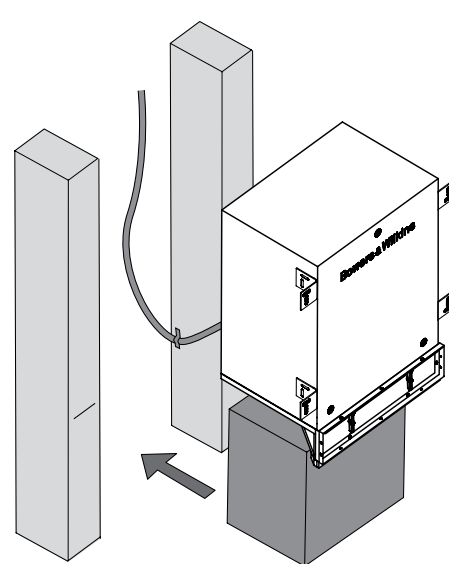
Pionowe pozycjonowanie wsporników nie jest konieczne, ale upewnij się że są na jednej powierzchni z frontem subwoofera.

Nie jest wymagane, ale może okazać się pomocne podeprzeć subwoofer na jakimś przedmiocie podczas mocowania subwoofera tak, aby maskownica znalazła się na odpowiedniej wysokości.

Umieść subwoofer w pożądanej pozycji mocowania (Rysunek 18).



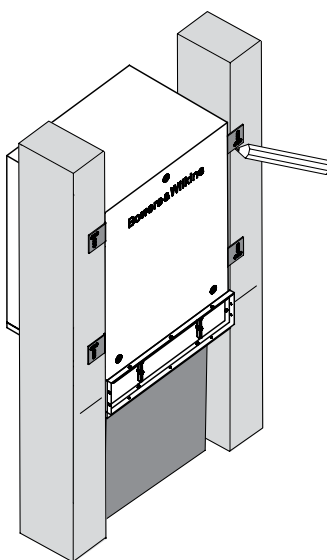
Rysunek 17



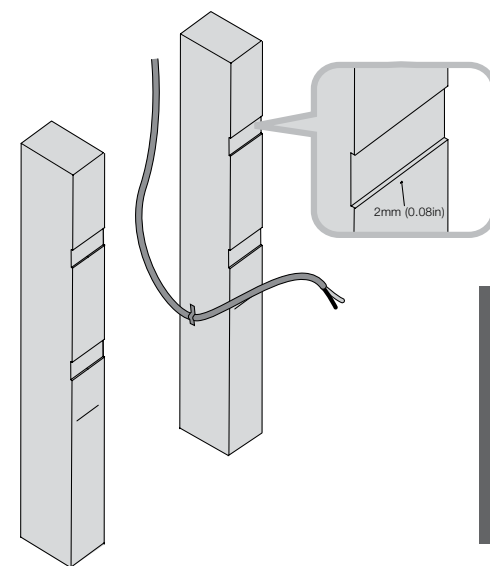
Rysunek 18

Zaznacz na belkach miejsce na wsporniki obrysowując je (Rysunek 19).

Wyjmij subwoofer i wyźłób belki pomiędzy zaznaczonymi liniami tak jak to pokazano na rysunku do głębokości 2 mm, aby wsporniki nie wystawały poza ściankę gipsową po jej zamocowaniu (Rysunek 20).

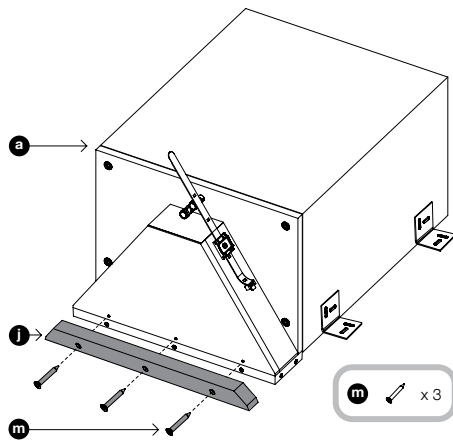


Rysunek 19



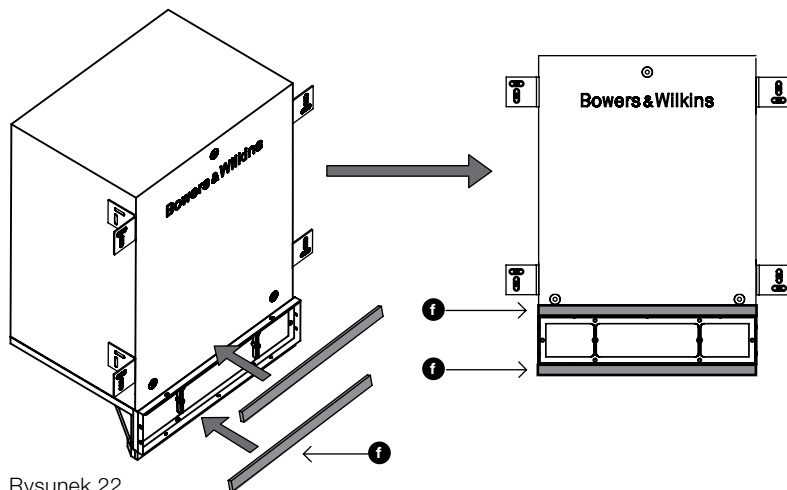
Rysunek 20

Zamocuj wspornik listwowy (j) do szczytu osłony jak pokazano na rysunku za pomocą trzech śrub 25 mm (m) i wcześniej wywierconych otworów (Rysunek 21).



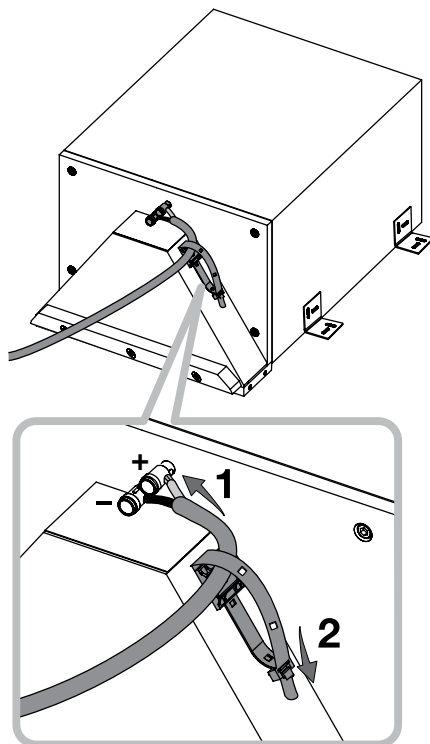
Rysunek 21

Usuń papier pokrywający i przyklej dwa samoprzylepne paski uszczelniające (f), jeden do listwy, drugi do obudowy po drugiej stronie ramki maskownicy. Pozwolą one na ściślejsze przyleganie do ścianki gipsowej i uniknięcie drgań (Rysunek 22).



Rysunek 22

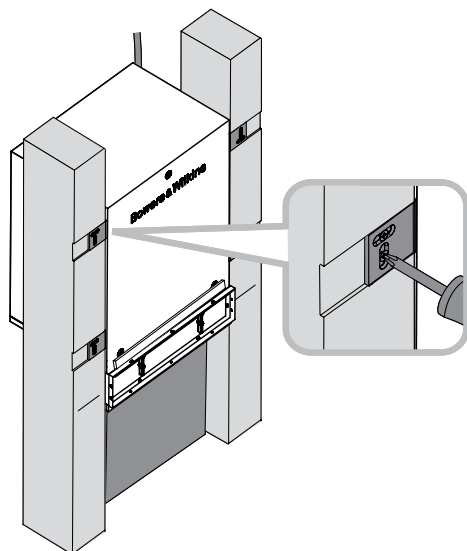
Zawieś subwoofer w pożądaney pozycji. Usuń izolację przewodu i podłącz przewód do terminali na obudowie, zwracając uwagę na prawidłową polaryzację. Następnie przymocuj zwisający przewód używając zacisku, aby uniknąć drgań przewodu (Rysunek 23)



Rysunek 23

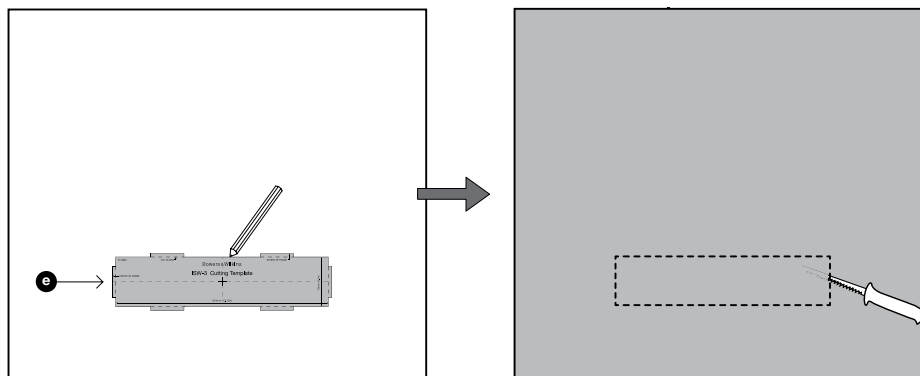
Używając podpórki umieść subwoofer w pożądaney pozycji ze wspornikami wsuniętymi w wyłobienia w belkach. Przykręć wsporniki do belek (śrub nie dołączono do subwoofera) (Rysunek 24).

Po zamocowaniu możesz usunąć podpórkę.



Rysunek 24

Użyj wzornika (e) aby zaznaczyć otwór na płycie gipsowej. Sześć wybruszeń na wzorniku odpowiada wymiarom zewnętrznym kratki maskownicy i zostały umieszczone na wzorniku, aby zapewnić odpowiednią ilość miejsca. Nie prowadź linii zaznaczenia wokół tych wybruszeń, ale raczej przez przerywane linie, które przecinają te wybruszenia (Rysunek 25).

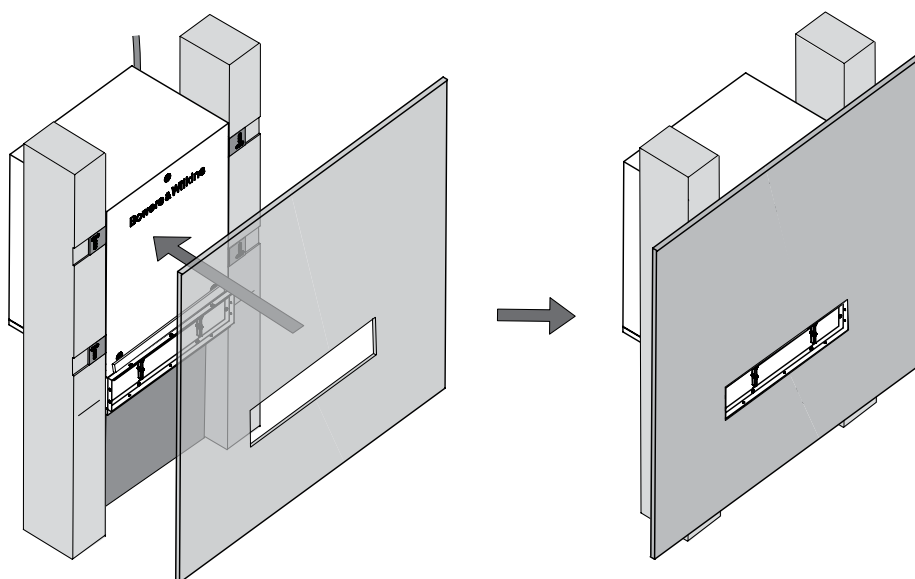


Rysunek 25

W tym momencie, możesz do czoła obudowy subwoofera przykleić kit, aby zapobiec przyszłym drganiom subwoofera w stosunku do płyty gipsowej.

Zamocuj płytę gipsową do belek (Rysunek 26) i wygładź ostatecznie płytę.

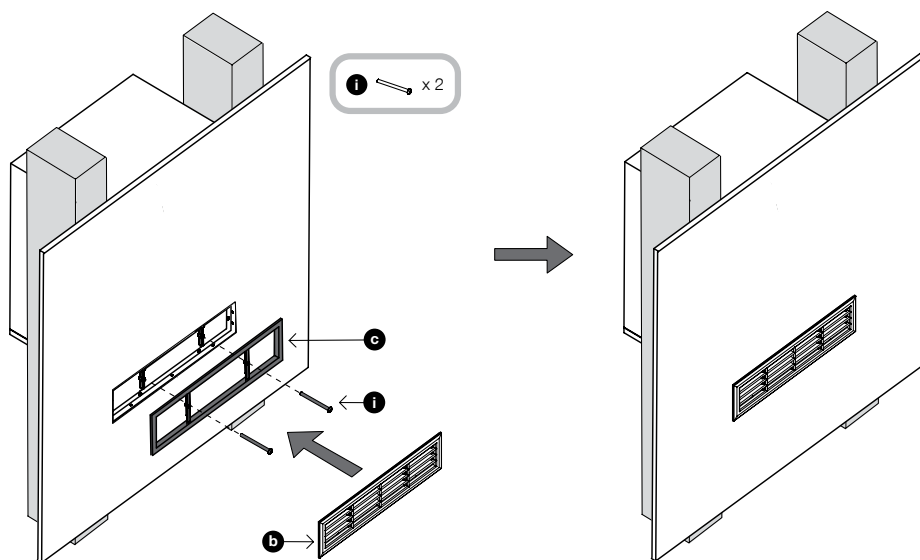
Pomaluj ścianę na tym etapie i jeśli chcesz pomaluj również ramkę maskownicy (b). Część ta przyjmie wszystkie rodzaje normalnych farb do ścian.



Rysunek 26

Zamocuj maskownicę (c) do frontu otworu i zamocuj do ramki maskownicy za pomocą dwóch śrub M3 (i) wkręconych przez dwie listwy poprzeczne ramki. Nie skręć śrub za mocno. W listwach ramki poczujesz opór, ale otoczenie nie powinno zostać naruszone – w innym przypadku kratka maskownicy nie zostanie odpowiednio zamocowana.

Przytwierdź kratkę (b) do maskownicy (c) (Rysunek 27).



Rysunek 27

5 Instalacja pod podłogą

Głośnik mieści się pomiędzy belkami o standardowym rozstawie 40 cm lub więcej w taki sposób, że kratka maskownicy wypełnia przestrzeń między belkami. Do instalacji potrzebna jest dodatkowo przestrzeń 25 cm lub więcej do wewnątrz belek.

Produktu nie powinno się instalować pod podłogą jeśli podłoga ma być pokryta grubym dywanem. Krótkie dywany wysoko strzyżone, np. chodniczki, można układać na subwooferze, ale ostrożnie.

Na froncie obu belek narysuj poziomą linię zaznaczającą oś zamocowania maskownicy (Rysunek 28).

Poprowadź przewód głośnikowy do miejsca instalacji. Przytwierdź przewód do belek, aby nie drgał, ostatni zacisk umieść blisko zaznaczonej wcześniej osi zamocowania maskownicy. Zostaw około 30 – 50 cm przewodu poza miejscem instalacji (Rysunek 29).

Przykręć cztery wsporniki (g) jak pokazano na rysunku do zewnętrznych brzegów obudowy subwoofera za pomocą dwóch śrub 12 mm (h) na każdy wspornik. Boczna pozycja wsporników nie jest konieczna ale upewnij się, że wsporniki są na jednej powierzchni z frontem subwoofera.

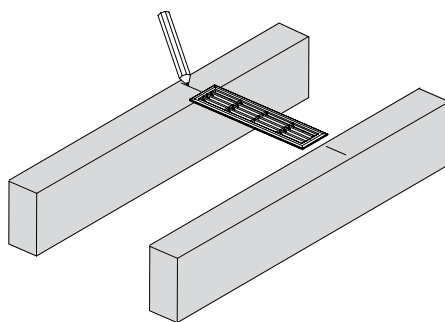
Umieść subwoofer pomiędzy belkami, tak aby wsporniki zawiesiły głośnik na belkach (Rysunek 31).

Jeśli odległość między belkami jest zbyt duża i uniemożliwia przykręcenie obudowy do wsporników za pomocą śruby będzie potrzebna specjalna konstrukcja zaproponowana przez profesjonalnego instalatora.

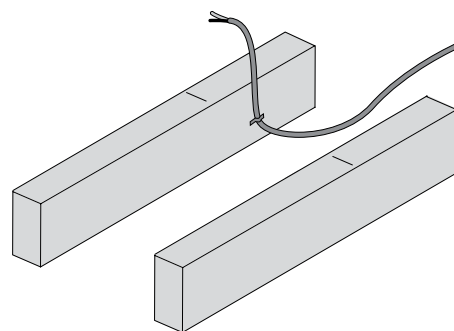
Przyłóż ramkę maskownicy do zaznaczonych na belkach linii, upewniając się, że został zachowany kąt prosty w stosunku do ściany i obrysuj wsporniki na belkach.

Wymij subwoofer i wyźłób belki pomiędzy zaznaczonymi liniami tak jak to pokazano na rysunku do głębokości 2 mm, aby wsporniki nie wystawały poza ściankę gipsową po jej zamocowaniu (Rysunek 32).

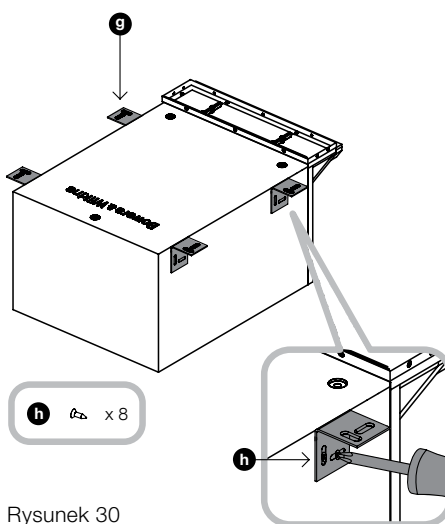
Zamocuj wspornik listwowy (j) do szczytu osłony jak pokazano na rysunku za pomocą trzech śrub 25 mm (m) i wcześniej wywierconych otworów (Rysunek 33).



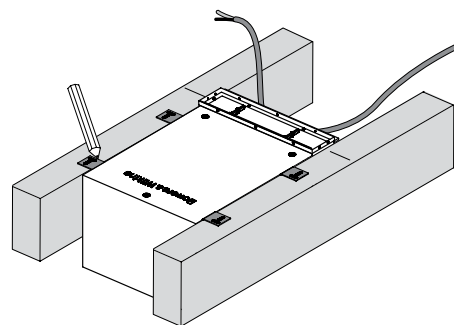
Rysunek 28



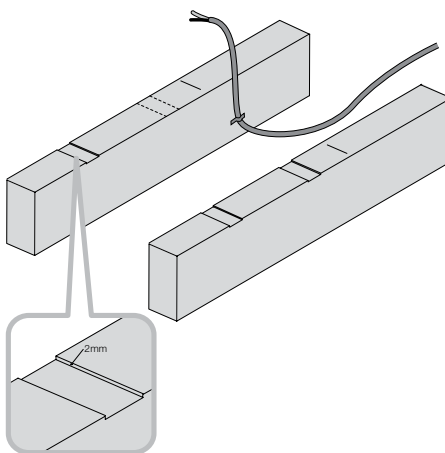
Rysunek 29



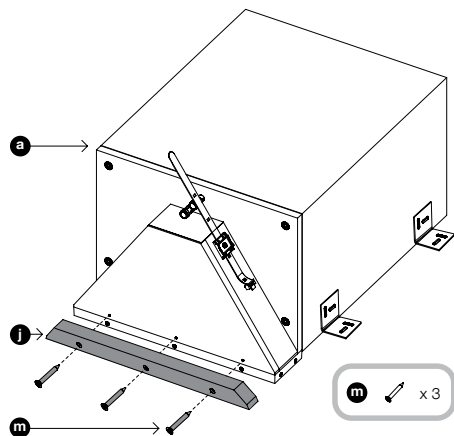
Rysunek 30



Rysunek 31

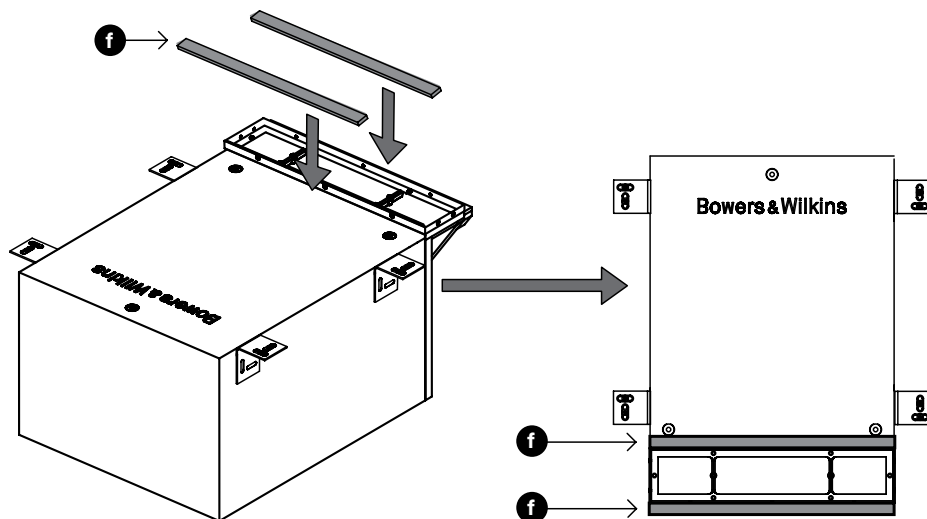


Rysunek 32



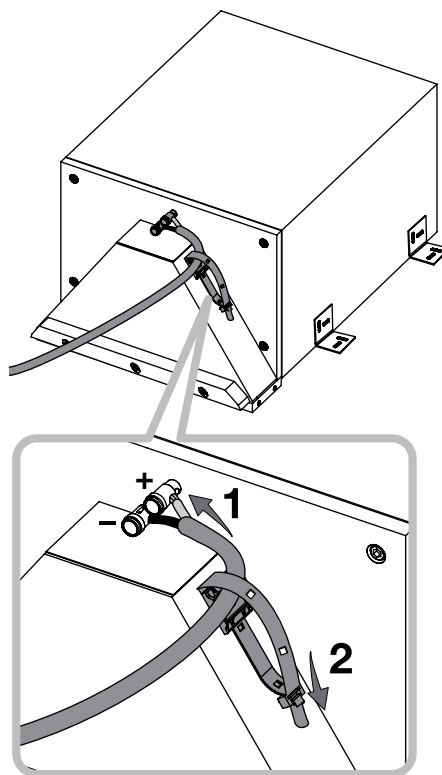
Rysunek 33

Usuń papier pokrywający i przyklej dwa samoprzylepne paski uszczelniające (f), jeden do listwy, drugi do obudowy po drugiej stronie ramki maskownicy. Pozwolą one na ściślejsze przyleganie do powierzchni i uniknięcie drgań (Rysunek 34).



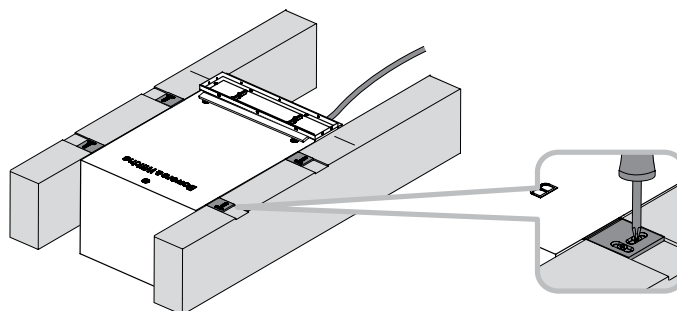
Rysunek 34

Zawieś subwoofer w pożądaney pozycji. Usuń izolację przewodu i podłącz przewód do terminali na obudowie, zwracając uwagę na prawidłową polaryzację. Następnie przymocuj zwisający przewód używając zacisku, aby uniknąć drgań przewodu (Rysunek 35).



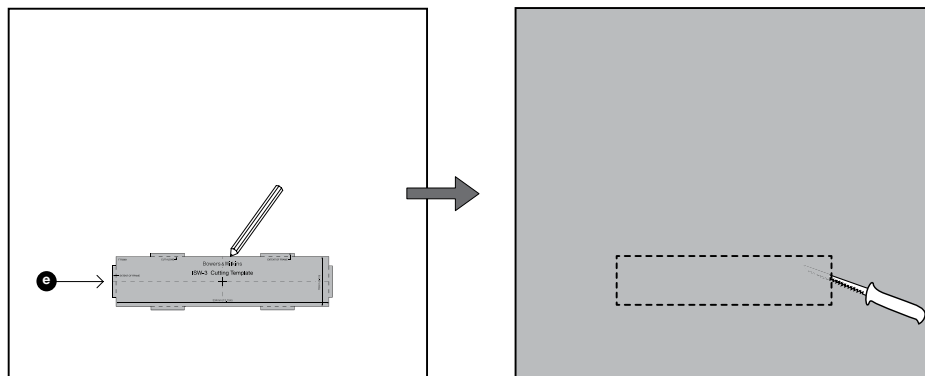
Rysunek 35

Umieść subwoofer w pożądaney pozycji ze wspornikami wsuniętymi w wyżłobienia w belkach. Przykręć wsporniki do belek (śrub nie dołączono do subwoofera) (Rysunek 36).



Rysunek 36

W przypadku użycia wykładziny, użyj wzornika (e) aby zaznaczyć wielkość otworu na panelu podłogowym. Sześć wybrzuszeń na wzorniku odpowiada wymiarom zewnętrznym kratki maskownicy i zostały umieszczone na wzorniku, aby zapewnić odpowiednią ilość miejsca. Nie prowadź linii zaznaczenia wokół tych wybrzuszeń, ale raczej przez przerywane linie, które przecinają te wybrzuszenia (Rysunek 37).



Rysunek 37

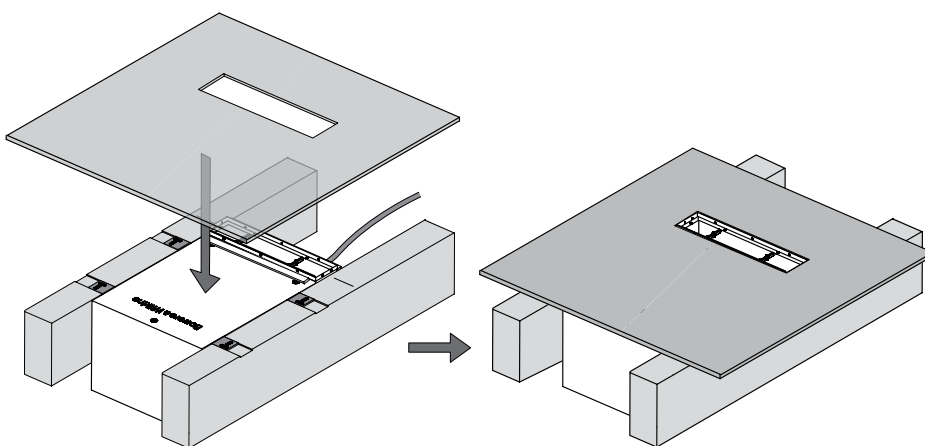
W tym momencie, możesz do czoła obudowy subwoofera przykleić kit, aby zapobiec przyszłym drganiom subwoofera w stosunku do powierzchni podłogi.

W przypadku użycia wykładziny, połóż wykładzinę z wyciętą według wzornika dziurą z powrotem na podłogę.

W przypadku użycia paneli podłogowych lub podłogi z drewna ułóż panele wokół kształtów ramki maskownicy.

Tam gdzie to konieczne (patrz uwaga na początku niniejszej sekcji), połóż dywan i wytnij w nim dziurę taką samą jak dziura w podłodze pod dywanem.

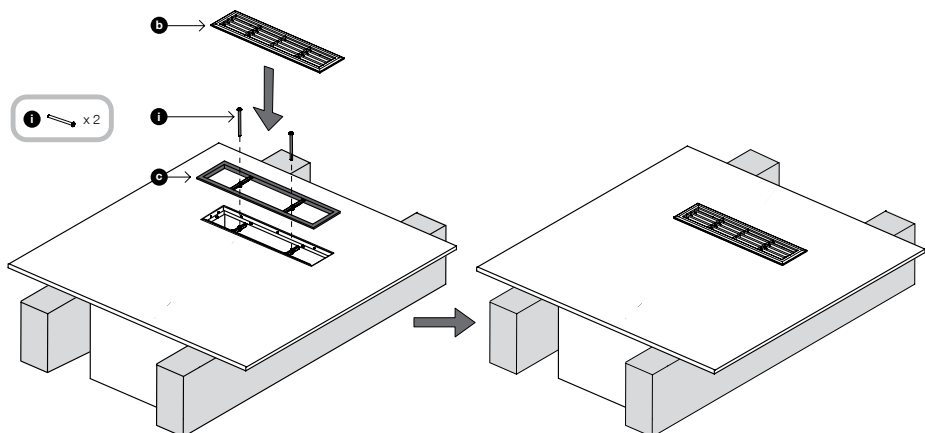
Jeśli chcesz, można teraz pomalować kratkę maskownicy.



Rysunek 38

Zamocuj maskownicę (c) do frontu otworu i zamocuj do ramki maskownicy za pomocą dwóch śrub M3 (i) wkręconych przez dwie listwy poprzeczne ramki. Nie skręć śrub za mocno. W listwach ramki poczujesz opór, ale otoczenie nie powinno zostać naruszone – w innym przypadku kratka maskownicy nie zostanie odpowiednio zamocowana.

Przytwierdź kratkę (b) do maskownicy (c) (Rysunek 39).



Rysunek 39

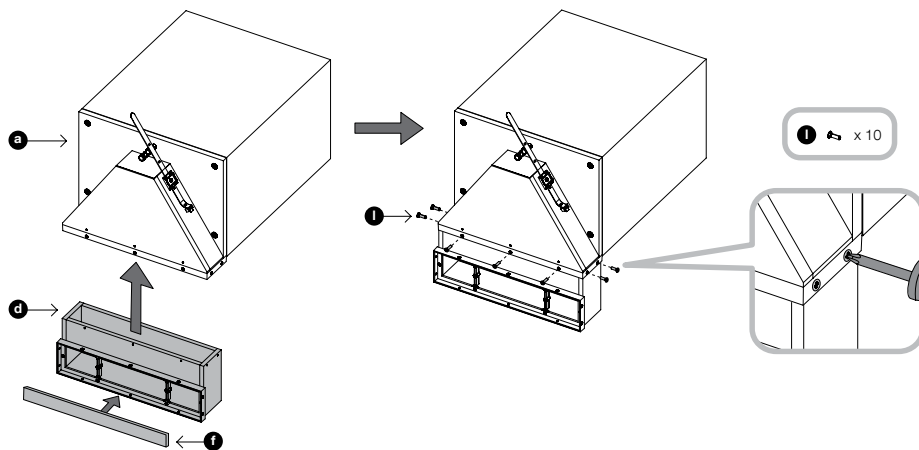
6 Instalacja w zabudowie kuchennej

Subwoofer będzie znajdował się w dolnej części szafki kuchennej z wyjściem wentylacyjnym w dolnym panelu szafki pod drzwiczkami.

Usuń papier pokrywający i przyklej jeden z samoprzylepnych pasków uszczelniających (f) do osłony, przy krawędzi ramki maskownicy.

Przytwierdź osłonę (d) do ramki maskownicy na obudowie za pomocą dziesięciu śrub 10 mm (l) i wcześniej wywierconych otworów (Rysunek 40).

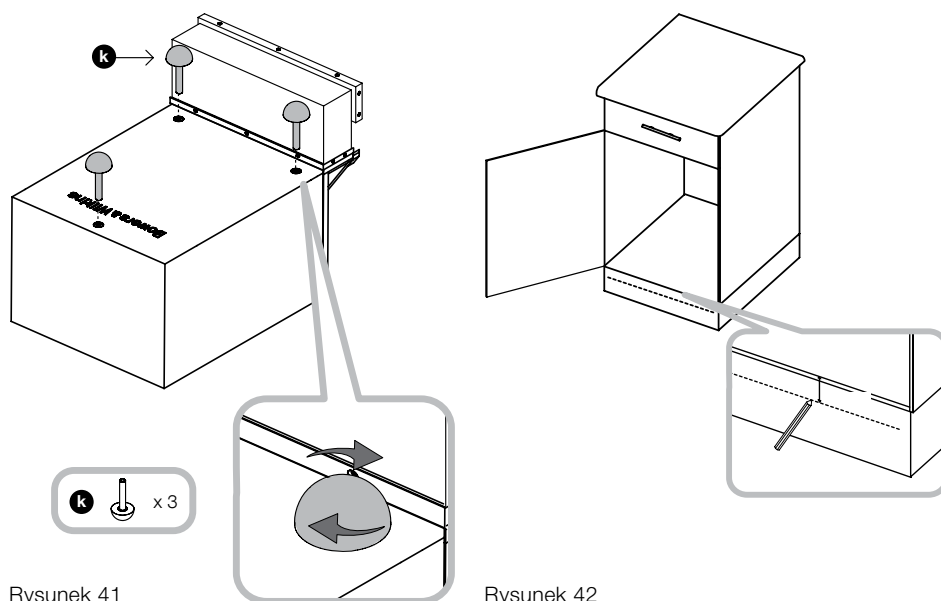
Na ramce maskownicy przytwierdzonej do osłony znajduje się uszczelka. Uszczelka ta musi zostać ściśnięta podczas mocowania osłony – dopóki uszczelka nie zostanie odpowiednio ściśnięta mocowanie będzie niekompletne.



Rysunek 40

Upewnij się, że nakrętki są w pełni dokręcone na nóżkach gumowych (k) i wkręć wszystkie trzy nożyki w odpowiednie otwory w obudowie subwoofera (Rysunek 41).

! Zaznacz na dolnym panelu szafki punkt 30 mm w dół od powierzchni dna szafki. Górna krawędź wycięcia w panelu nie może znajdować się poniżej tego punktu (Rysunek 42).



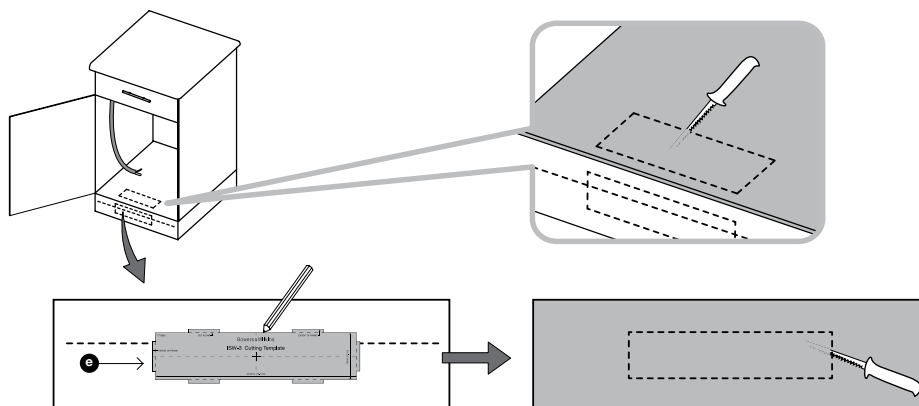
Rysunek 41

Rysunek 42

! Używając wzornika, zaznacz obszar wycięcia otworu w dolnym panelu szafki, upewniając się, że górna krawędź wycięcia znajduje się powyżej linii zaznaczonej na panelu i że otwór jest pod kątem prostym.

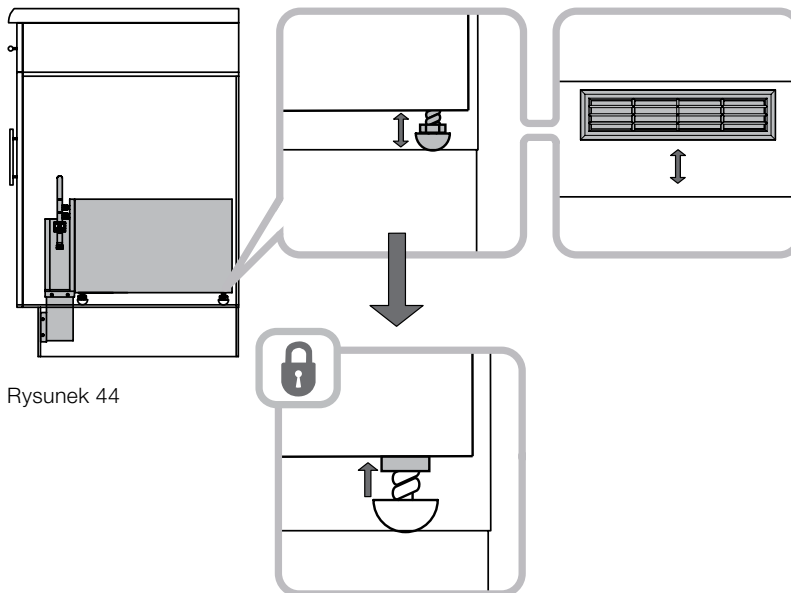
Wytnij otwór w dolnym panelu szafki i kolejny w dnie szafki potrzebny dla osłony subwoofera. Przednia powierzchnia wycięcia w dnie szafki powinna pokrywać się z powierzchnią tylnej ścianki dolnego panelu szafki (Rysunek 43).

Przełącznij przewód do punktu instalacji.



Rysunek 43

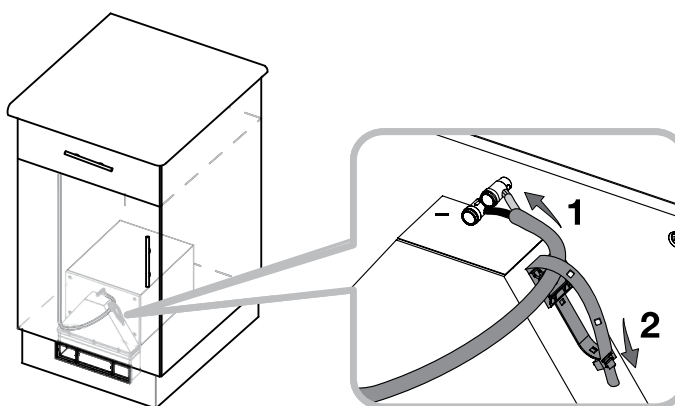
Umieść subwoofer na dnie szafki. Odkręć nóżki i dopasuj osłonę tak, aby wychodziła ona na wprost wycięcia w dolnym panelu szafki. Następnie skręć nóżki ponownie (Rysunek 44).



Rysunek 44

Usuń izolację przewodu i podłącz przewód do terminali na obudowie, zwracając uwagę na prawidłową polaryzację. Aby uniknąć drgań, przymocuj zwisający przewód używając zacisku na subwooferze (Rysunek 45).

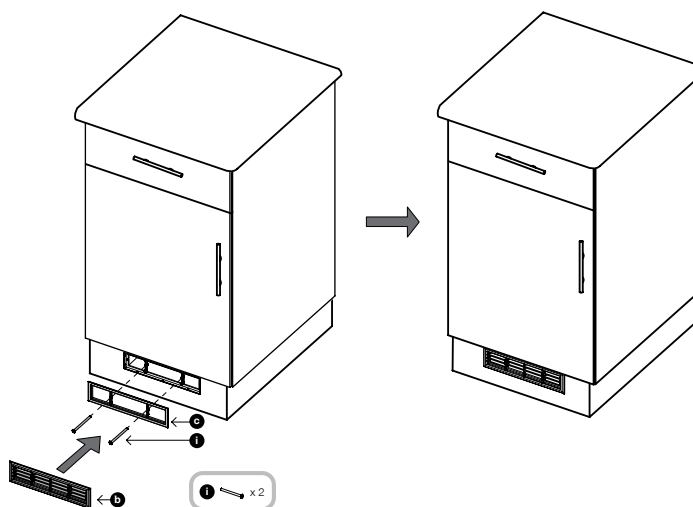
Jeśli chcesz, można teraz pomalować kratkę maskownicy.



Rysunek 45

Zamocuj maskownicę (c) do frontu otworu i zamocuj do ramki maskownicy za pomocą dwóch śrub M3 (i) wkręconych przez dwie listwy poprzeczne ramki. Nie skręć śrub za mocno. W listwach ramki poczujesz opór, ale otoczenie nie powinno zostać naruszone – w innym przypadku kratka maskownicy nie zostanie odpowiednio zamocowana.

Przytwierdź kratkę (b) do maskownicy (c) (Rysunek 46).



Rysunek 46

7 Okres „docierania”

Jakość dźwięku odtwarzanego przez subwoofer zmienia się w niewielkim stopniu w przeciągu początkowego okresu użytkowania. Jeśli głośnik był przetrzymywany w chłodnym miejscu, materiały tłumiące oraz wykończeniowe będą musiały przez pewien czas odzyskiwać swoje pierwotne charakterystyki. Zawieszenie głośnika rozgrzeje się w pierwszych godzinach użytkowania kolumny. Czas, jaki subwoofer potrzebuje na osiągnięcie nominalnych możliwości, zależy od warunków, w jakich był przechowywany oraz od sposobu, w jaki jest użytkowany. Daj subwooferowi mniej więcej tydzień na ustabilizowanie temperatury oraz 15 godzin przeciętnej pracy, aby podzespoły osiągnęły zakładane przez projektantów charakterystyki.

Niemniej jednak, całkowity początkowy okres rozruchu jest dłuższy i wynosi około miesiąca. Zależy on jednak w głównej mierze od przyzwyczajenia się użytkownika do pracy głośnika, a nie od zmian wewnątrz samej kolumny.

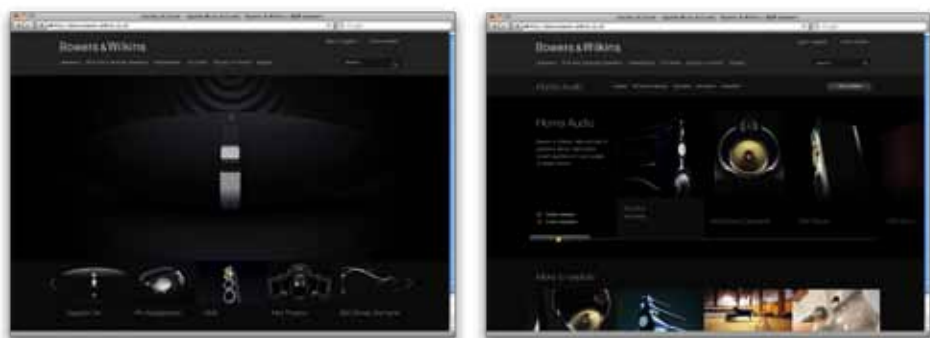
8 Pielęgnacja

Subwoofer zazwyczaj nie wymaga zbytej pielęgnacji, poza cyklicznym zdejmowaniem i czyszczeniem kratki maskownicy.

Jeśli subwoofer zamontowano pod podłogą, co jakiś czas należy zdjąć kratkę maskownicy i odkurzyć wnętrze osłony w celu usunięcia kurzu (Rysunek 35).

欢迎使用Bowers & Wilkins及ISW-3

感谢阁下购买Bowers & Wilkins产品。当我们的创办人John Bowers先生最初创立本公司的时候, 他坚信充满想象的设计、创新的工程和先进的技术是开启家庭音响娱乐大门的重要元素。我们依然坚持着他的信念, 并赋予我们所有产品设计灵感。



1 包装箱内的物品

请检查是否包含了图 1 所示的以下组件：

- a. 超低音
- b. 百叶窗横带（白色）
- c. 百叶窗（黑色）
- d. 通风罩扩展
- e. 开孔模板
- f. 垫片条
- g. 角支架
- h. No.8 x 12毫米 (0.5英寸) 螺钉
- i. M3 x 35毫米(1.38英寸) 圆头螺钉
- j. 支撑杆
- k. 橡胶垫脚及防松螺母
- l. No.4 x 10毫米(0.38英寸) csk螺钉
- m. No.6 x 25毫米(1英寸) csk螺钉

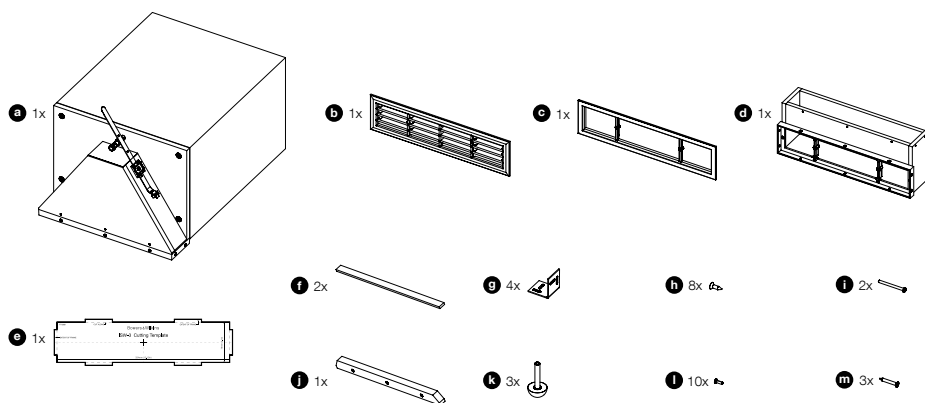


图 1

此外，还应该有《快速入门指南》和保修单张。本手册将提供较《快速入门指南》更详细的信息。

如果部件缺失或损坏，请咨询阁下的经销商。

2 应用

有四种可能的应用，每个应用均在独立的部分中介绍：

天花式 - 仅限新结构（图 2）

请转到第 3 部分。

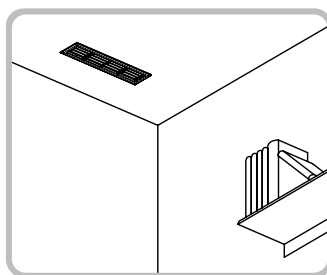


图 2

入墙式 - 仅限新结构（图 3）

请转到第 4 部分。

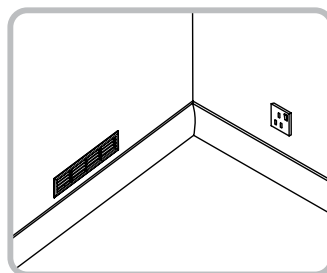


图 3

安装于地板下（图 4）

请转到第 5 部分。

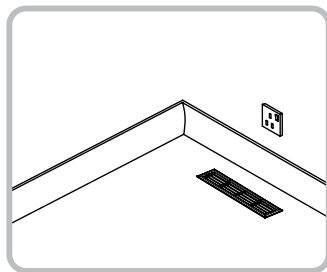


图 4

安装于厨房组件内（图 5）

请转到第 6 部分。

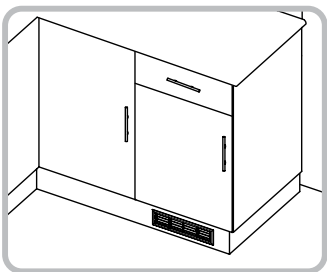


图 5

3 天花安装

可于间距为标准40厘米(16英寸)或更大的龙骨之间安装扬声器，这样使可见的百叶窗横跨它们之间的间隙。龙骨底面后需要有25厘米(10英寸)或更大的空隙。

在每侧的龙骨底面上标记所需百叶窗位置的中心线。于两个龙骨上在距离百叶窗中心线大约75毫米(3英寸)和380毫米(15英寸)为机壳支架画上两个标记(图 6)。

如图所示将四个L型支架(g)拧到龙骨的内部垂直面上(需另购螺钉)，确保支架是方形并与龙骨底面平齐。

为安装点使用适当规格的扬声器接线。固定到龙骨使它不会产生杂噪声，同时最终连接点接近靠近龙骨顶端的标记百叶窗中心线。在末端大约留出30厘米—50厘米(12英寸—20英寸)(图 7)。

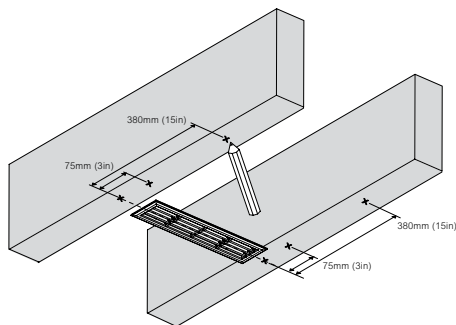


图 6

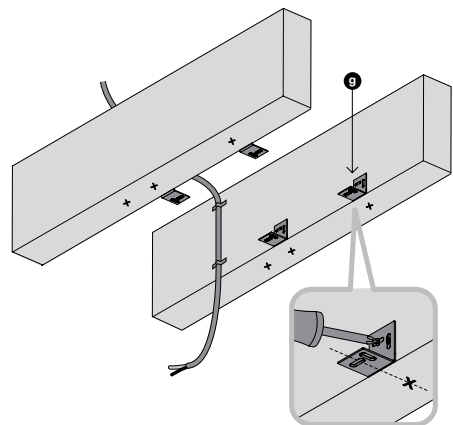


图 7

使用三根No.6 x 25毫米螺钉(m)和预钻孔将支撑杆(j)安装到通风罩上(图 8)。

取下背纸并安装两个自粘垫片条(f)，一个安装到支撑杆，另一个安装到百叶窗框另一侧的机壳上。这些重量将承受在石膏板上，防止产生杂噪声(图 9)。

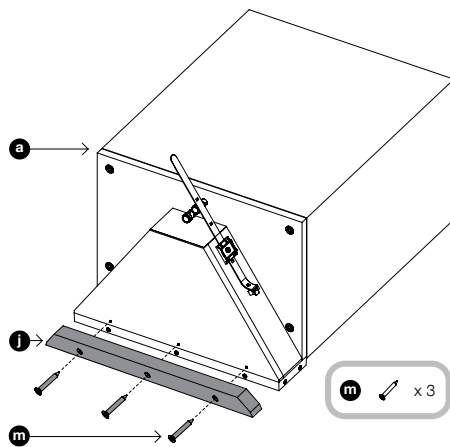


图 8

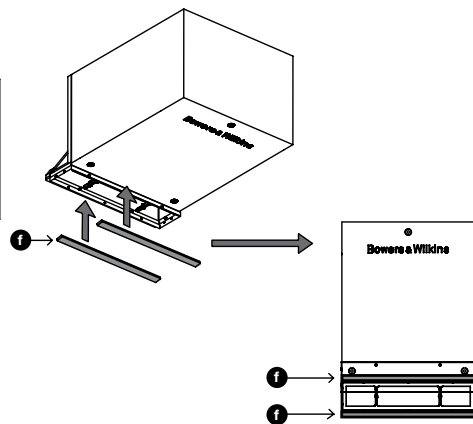


图 9

提起扬声器，如图所示放置在四个L支架上。如果龙骨间距太大导致不可穿过支架拧到机壳内，安装人员将需要应用定制支撑方法。

在龙骨上用标记画出百叶窗孔径的中心，相对于墙来说要是方形。

固定机壳位置，使用No.8 x 12毫米自攻螺钉(h)穿过L支架拧到机壳(图 10)。

百叶窗框将突出在龙骨底面以下。

剥掉接线的两端并连接到机壳的弹簧端子上，确保极性正确。

为避免产生杂噪声，可使用超低音上的束线带固定多余的接线(图 11)。

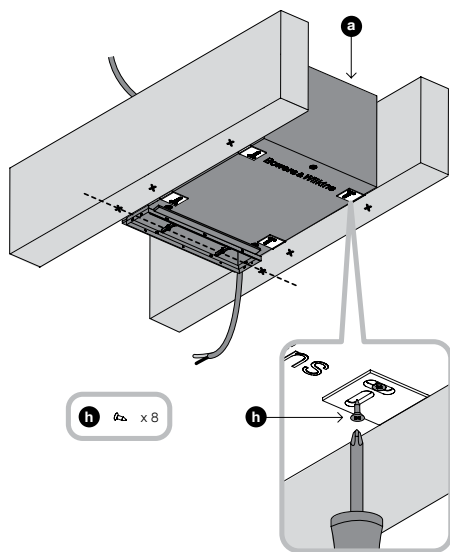


图 10

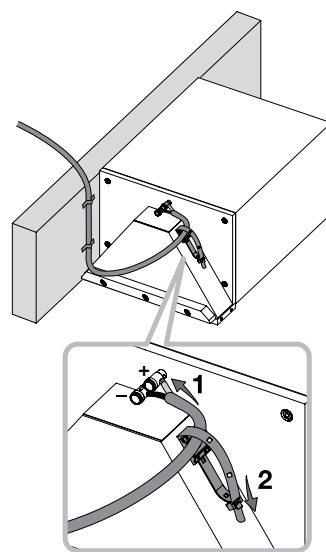


图 11

使用开孔模板(e)在石膏板上标记孔径。六个突起对应百叶窗横带的外尺寸，提供用来指示必要的空隙。不要在这些突起的周围做标记，而是横过它们画虚线(图 12)。

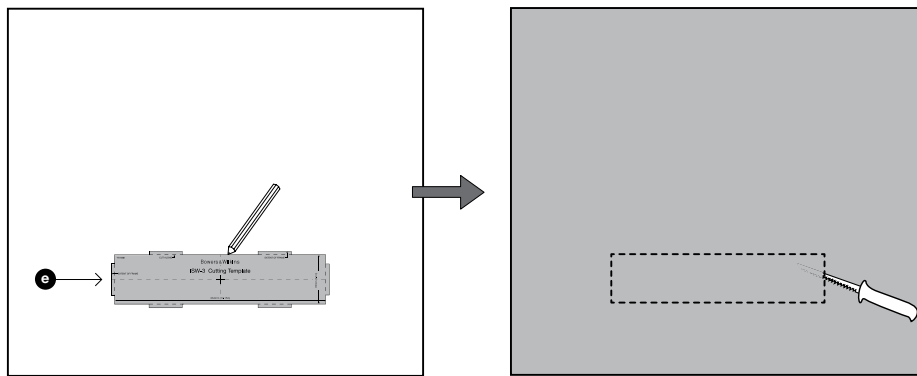


图 12

此时，您可以为超低音机壳涂抹润滑胶粘剂，以防止在天花板上产生杂噪声。

将石膏板安装到天花的龙骨上(图 13)，并涂抹最后粉灰层。

如有需要，在此阶段涂抹天花，并涂抹百叶窗横带模具(b)以相匹配。该部分将采取一切正常的墙壁粉刷程序。

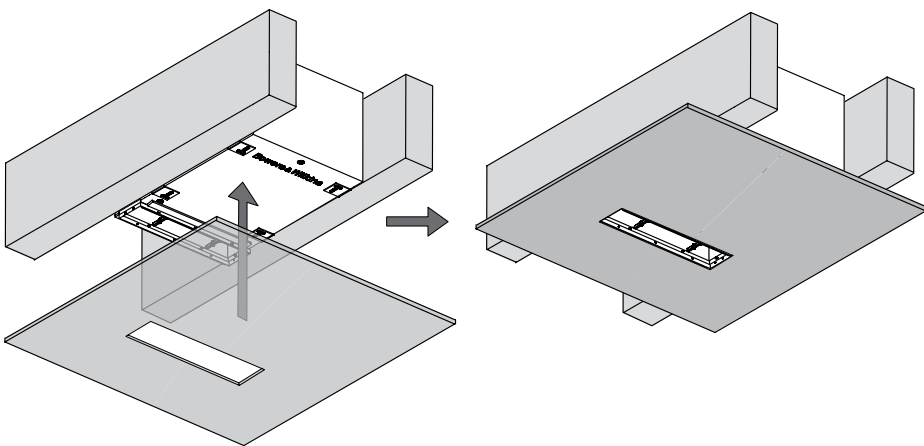


图 13

使用两根M3机用螺钉(i)穿过两个杆将百叶窗(c)安装到开口前并固定到百叶窗框。不要拧得太紧。两个百叶窗杆应略有弯曲张力，但是环绕不能扭曲，否则横带将无法正确安装。

将横带(b)夹在百叶窗(c)上(图 14)。

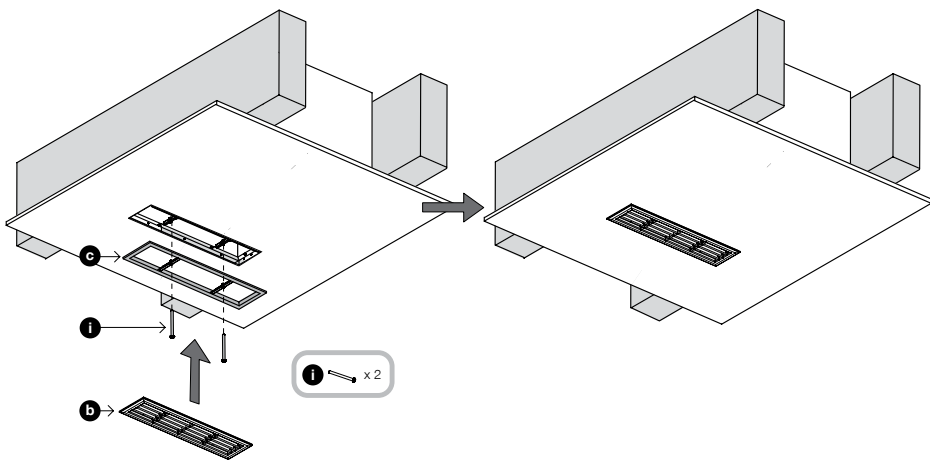


图 14

4 入墙安装

超低音可能太深，无法安装到标准100毫米(4英寸)厚的墙壁内，但是可以安装到可容纳该深度并且具有标准40厘米(16英寸)或更大间距龙骨的定制家具或壁橱内。

在大多数情况下，可见的百叶窗需要安装到墙壁较低的位置，壁脚板上位置。此时，机壳将以通风罩于底部的方向安装。

在超低音两侧龙骨的正面，画一条水平线，标记百叶窗横带的中心线所在位置(图 15)。

为安装点使用适当规格的扬声器接线。固定到龙骨使它不会，同时最终连接点接近标记的百叶窗中心线。在末端大约留出30厘米—50厘米(12英寸—20英寸)(图 16)。

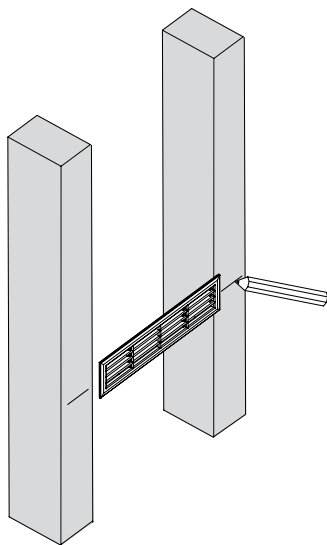


图 15

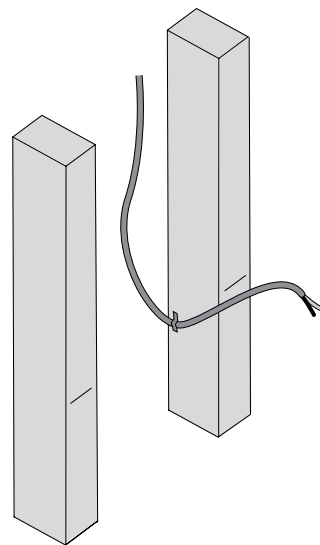


图 16

如图所示将四个L型支架(g)拧到超低音机壳的每一侧，于每个支架使用两根No.8 x 12毫米(0.5英寸)螺钉(h)。(图 17)

支架的垂直位置并不重要，但要确保它们与机壳前部平齐。

虽然不重要，但如果您在下面临时支撑将百叶窗提升到正确的高度，则更容易安装超低音。

将超低音滑入到所需的安装位置(图 18)。

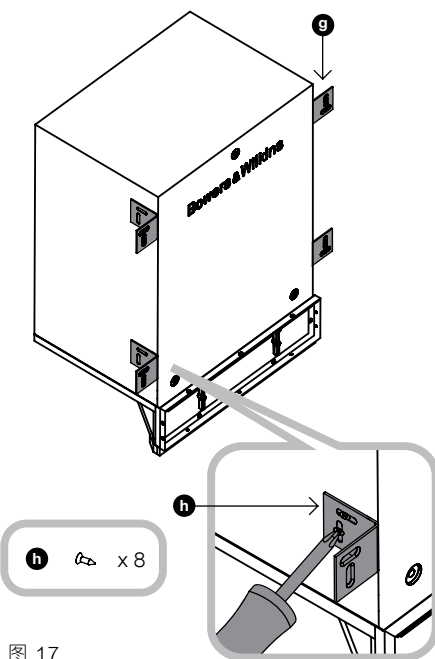


图 17

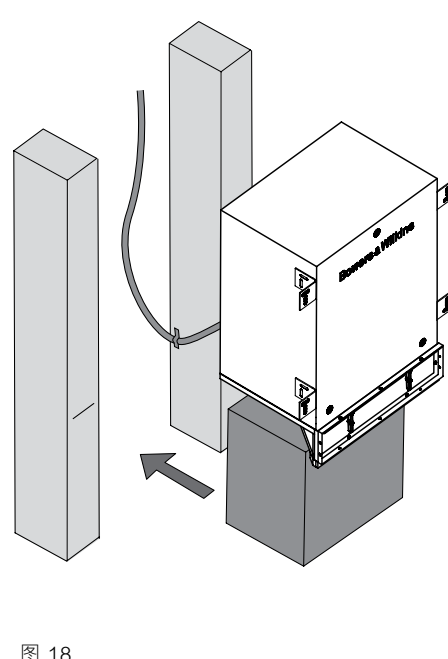


图 18

在龙骨的前面画上支架的标记。(图 19)

然后如图所示卸下超低音，将标记线之间的龙骨减少深度2毫米(0.08英寸)，以便安装支架时不会凸出石膏板(图 20)。

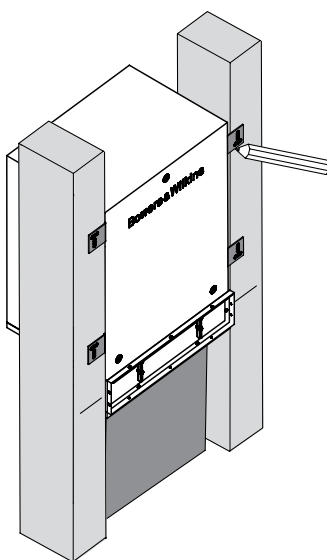


图 19

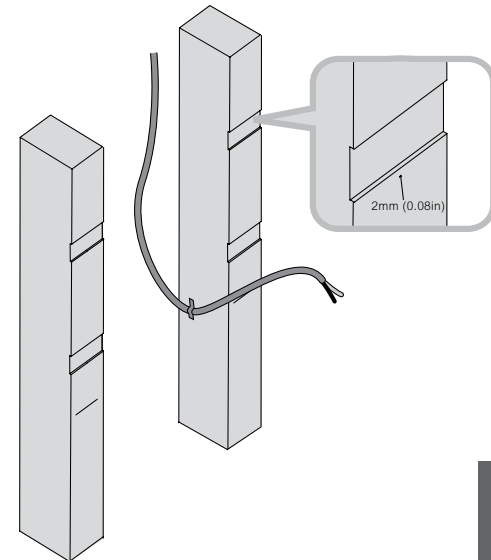


图 20

如图所示使用三根No.6 x 25毫米(1英寸)螺钉(m)拧到预钻导孔, 从而将支撑杆(j)固定到通风罩顶部(图 21)。

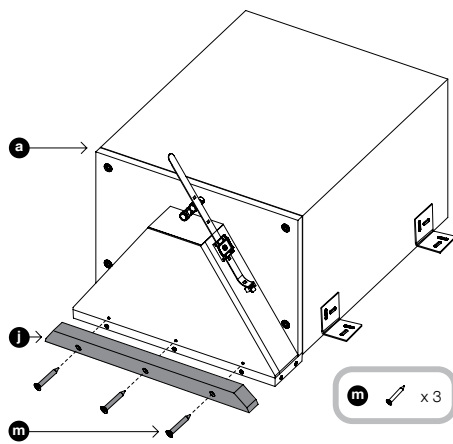


图 21

取下背纸并安装两个自粘垫片条(f), 一个安装到支撑杆, 另一个安装到百叶窗框另一侧的机壳上。这些重量将承受在石膏板上, 防止产生杂噪声(图 22)。

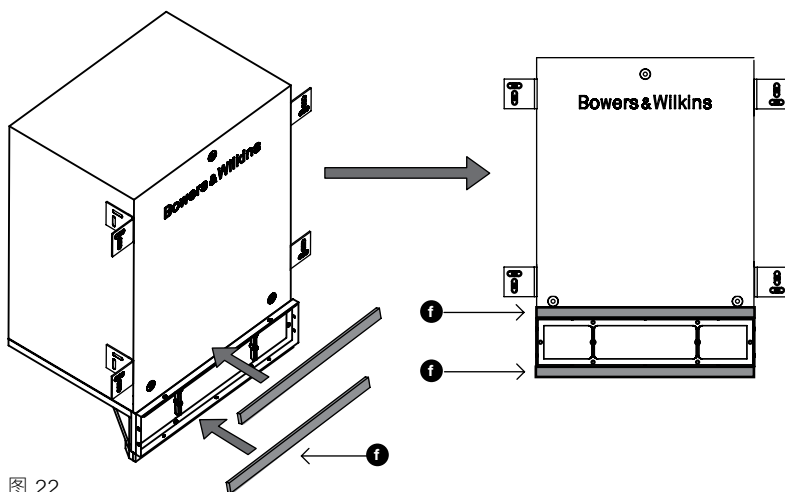


图 22

将超低音置于接近其预定位置。剥掉接线的两端并连接到弹簧端子上, 确保极性正确。然后使用束线带将接线固定到通风罩以防止产生杂噪声(图 23)。

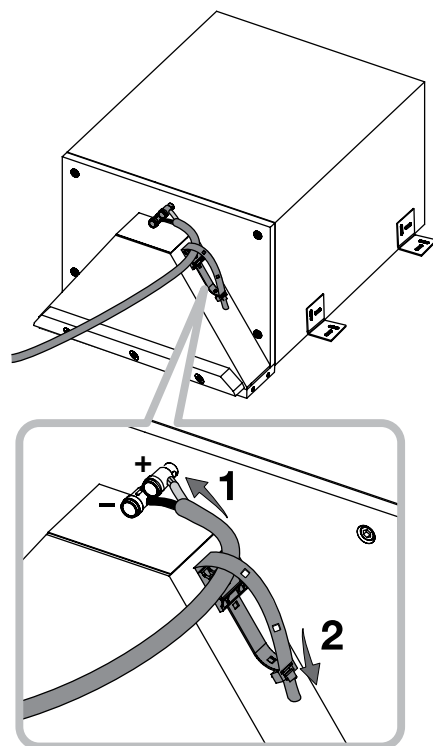


图 23

如有需要, 使用支撑块将超低音提升到位, 支架位于龙骨的凹处。将支架拧到龙骨上(需另购螺钉)(图 24)。

固定后, 可以卸下临时的支撑块。

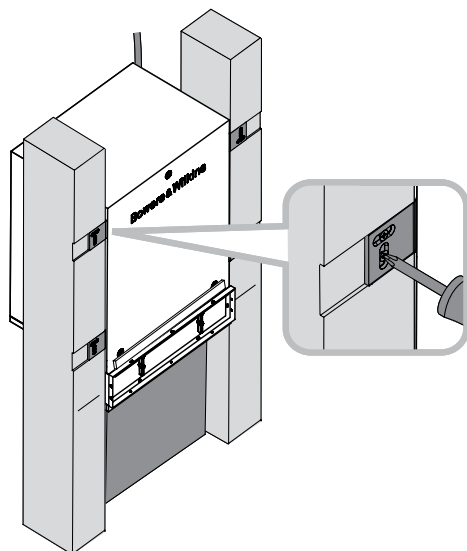


图 24

使用开孔模板(e)在石膏板上标记孔径。六个突起对应百叶窗横带的外尺寸，提供用来指示必要的空隙。不要在这些突起的周围做标记，而是横过它们画虚线(图 25)。

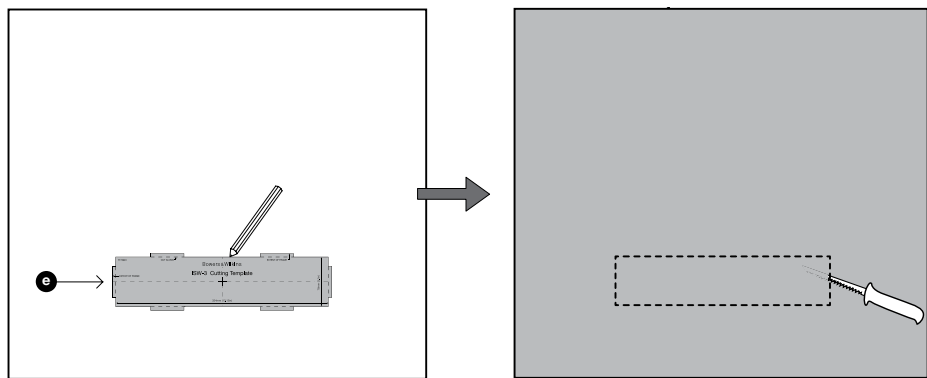


图 25

此时，您可以为超低音机壳涂抹润滑胶剂，以防止在石膏板上产生杂噪声。

将石膏板安装到龙骨上(图 26)，并涂抹最后粉灰层。

如有需要，在此阶段涂抹墙壁，并涂抹百叶窗横带模具(b)以相匹配。该部分将采取一切正常的墙壁粉刷程序。

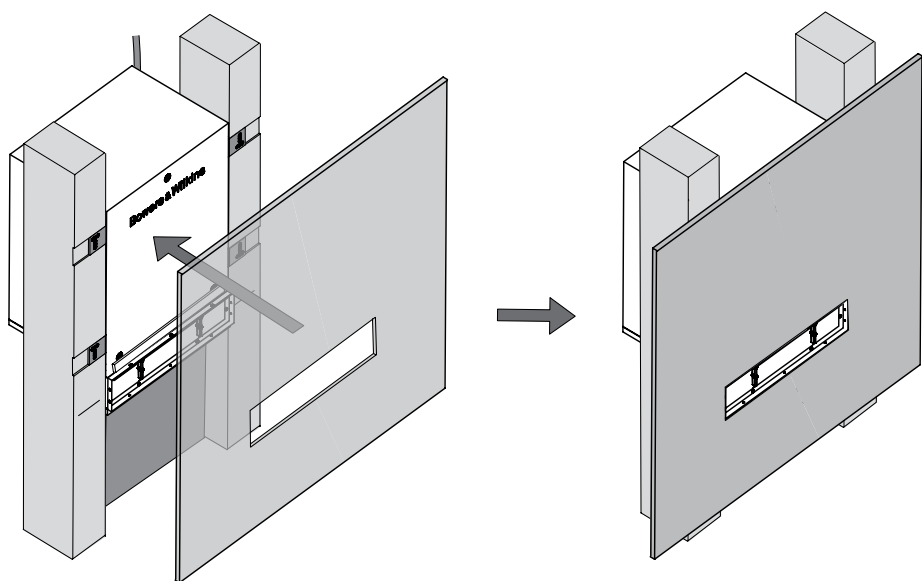


图 26

使用两根M3机用螺钉(i)穿过两个杆将百叶窗(c)安装到开口前并固定到百叶窗框。不要拧得太紧。两个百叶窗杆应略有弯曲张力，但是环绕不能扭曲，否则横带将无法正确安装。

将横带(b)夹在百叶窗(c)上(图 27)。

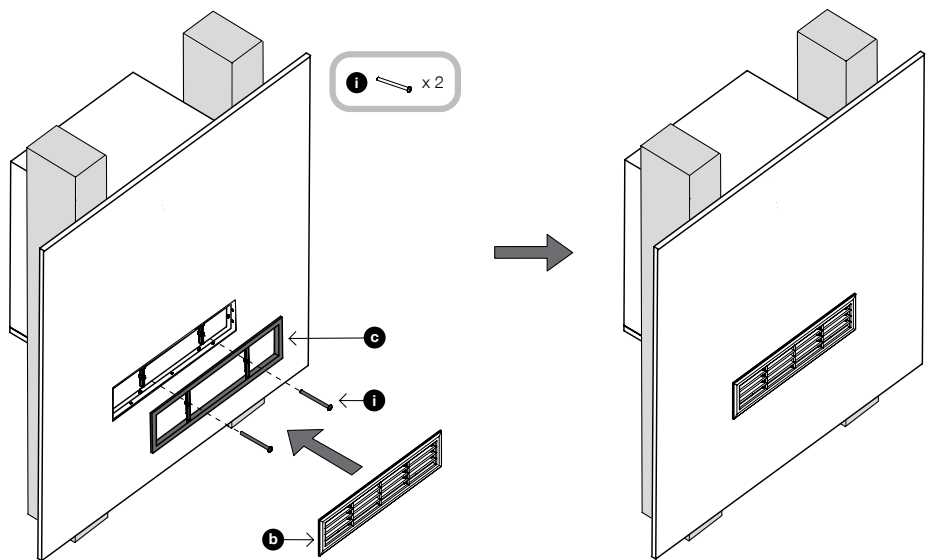


图 27

5 地下安装

可于间距为标准40厘米(16英寸)或更大的龙骨之间安装扬声器，这样使可见的百叶窗横跨它们之间的间隙。龙骨后面需要有25厘米(10英寸)或更大的空隙。

如果地板覆盖厚厚的地毯，不推荐使用该产品。非常小块的地毯，如短绒毛地毯块，可以小心地调整。

在每侧的龙骨顶部上标记所需百叶窗位置的中心线(图 28)。

为安装点使用适当规格的扬声器接线。固定到龙骨使它不会产生杂噪声，同时最终连接点接近靠近龙骨末端标记的百叶窗中心线。在末端大约留出30厘米—50厘米(12英寸—20英寸)(图 29)。

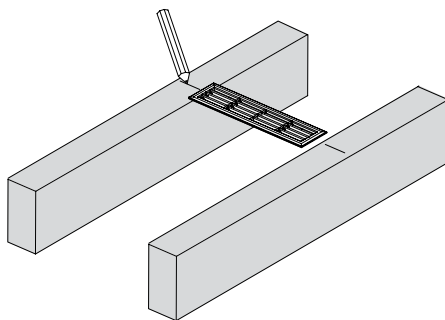


图 28

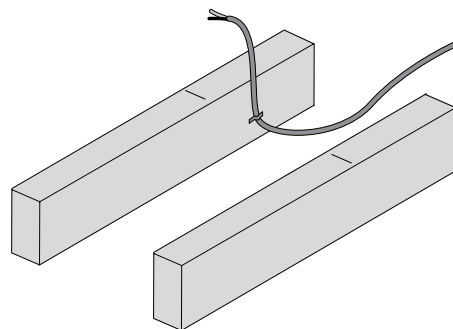


图 29

如图所示将四个支架安装到机壳的每一侧，于每个支架使用两根No.8 x 12毫米螺钉(h)。支架的侧面位置并不重要，但要确保它们在当通风罩开口朝上时与机壳的顶面平齐。

将扬声器放在龙骨之间，由与龙骨重叠的支架支撑(图 31)。

如果龙骨间距太大导致不可穿过支架拧到龙骨内，安装人员将需要应用定制支撑方法。

将百叶窗框与横梁上的标记对齐，确保与墙壁成方形，并在龙骨上画上支架的标记。

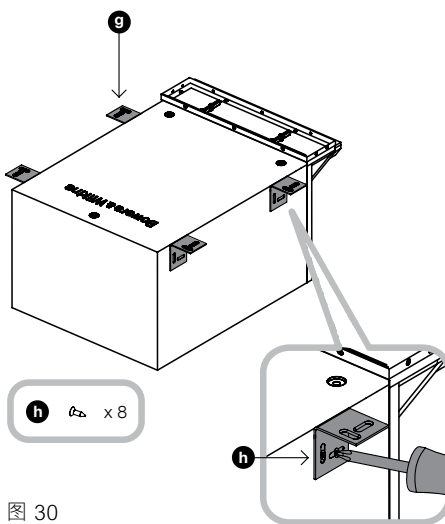


图 30

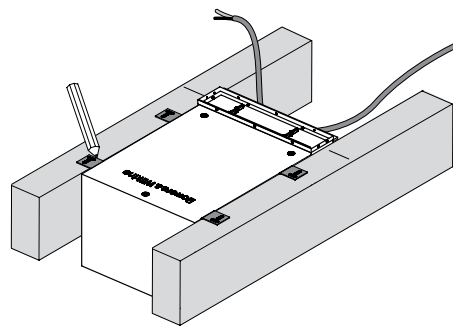


图 31

卸下超低音，将龙骨减少深度2毫米(0.08英寸)以容纳支架的厚度(图 32)。

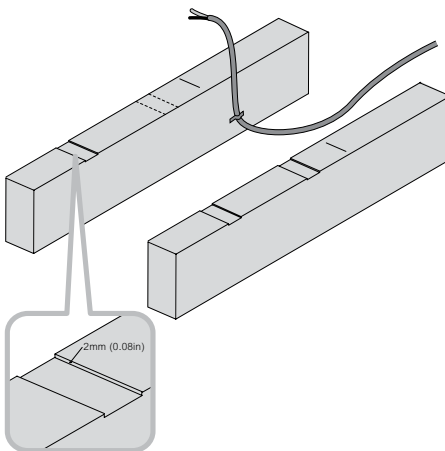


图 32

如图所示使用三根No.6 x 25毫米(1英寸)螺钉 (m) 拧到预钻导孔，从而将支撑杆(j)固定到通风罩顶部(图 33)。

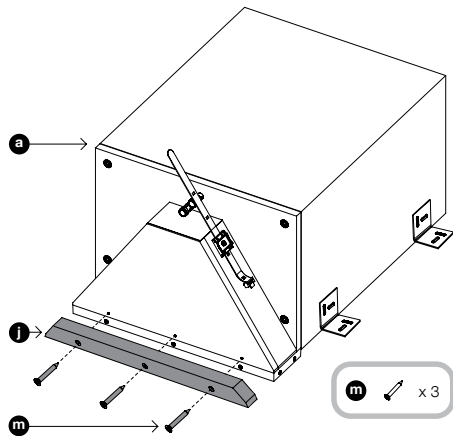


图 33

取下背纸并安装两个自粘垫片条(f)，一个安装到支撑杆，另一个安装到百叶窗框另一侧的机壳上。这些重量将承受在地板上，避免产生杂噪声(图 34)。

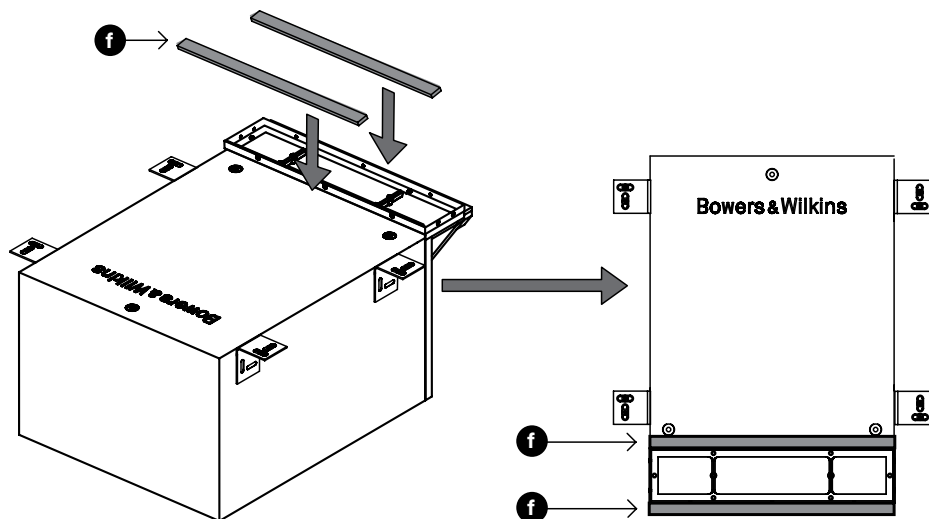


图 34

将超低音置于接近其预定位置。剥掉接线的两端并连接到弹簧端子上，确保极性正确。然后使用束线带将接线固定到通风罩以防止产生杂噪声(图 35)。

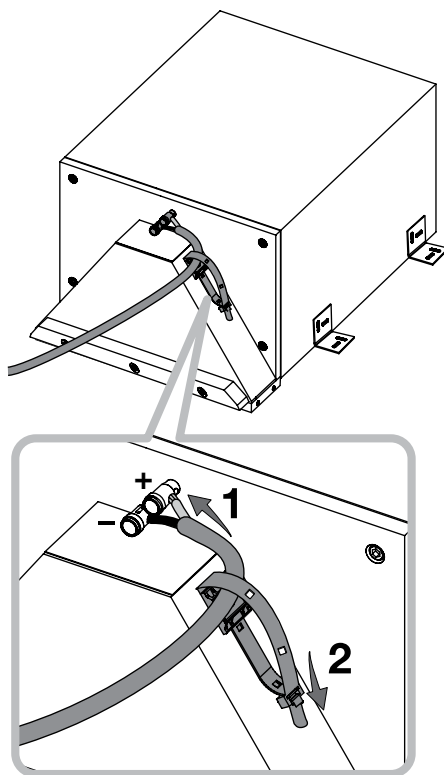


图 35

将超低音放置到位，并把支架放于凹处，及穿过支架拧紧而固定到龙骨(需另购螺钉)(图 36)。

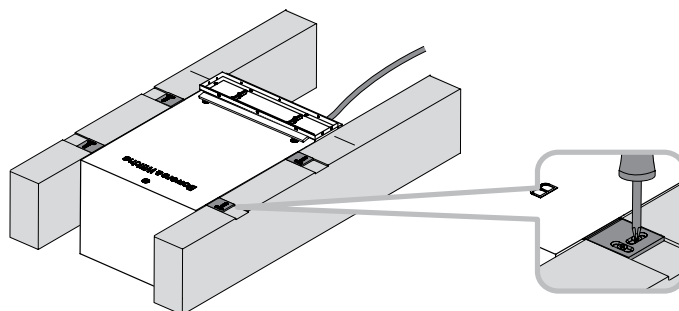


图 36

如果使用卷材地面，使用开孔模板(e)在地板上标记孔径。六个突起对应百叶窗横带的外尺寸，提供用来指示必要的空隙。不要在这些突起的周围做标记，而是横过它们画虚线(图 37)。

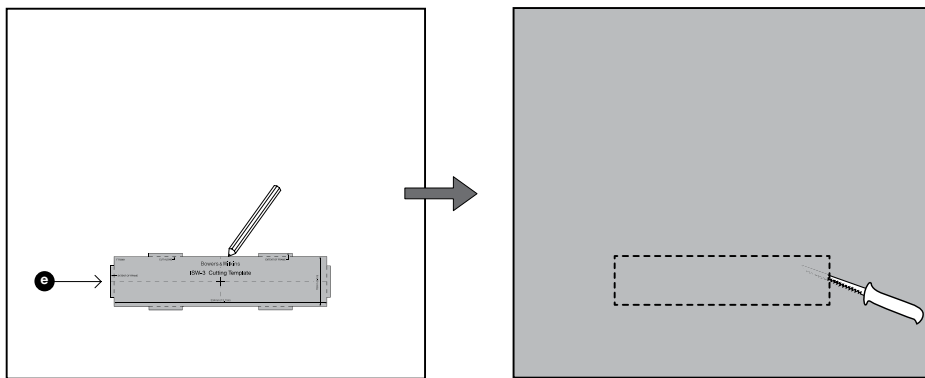


图 37

此时，您可以为超低音机壳涂抹润滑胶粘剂，以防止在地面下产生杂噪声。

对于卷材地板，对应百叶窗开孔把地板安装到位。

对于狭条地板，绕突起百叶窗框安装狭条。

在适当情况下(请参见此部分开始的注释)，铺上地毯，并切割孔以与地板上的孔对应。

如有需要，可以涂抹百叶窗横带模具。

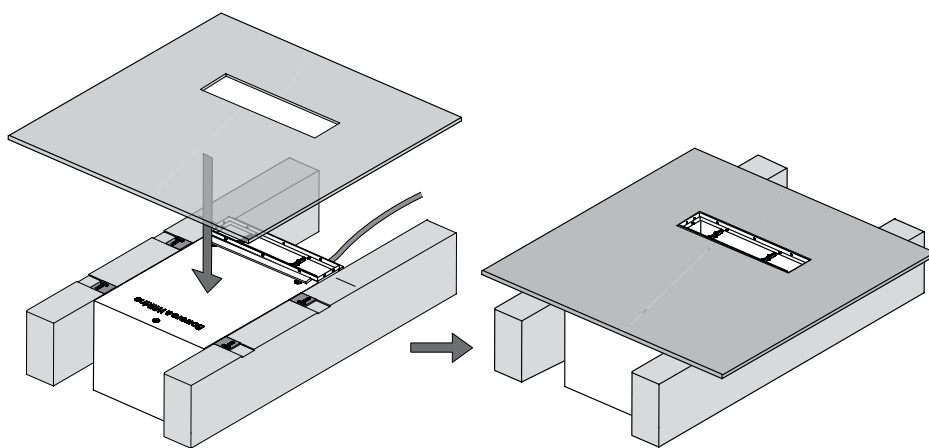


图 38

使用两根M3机用螺钉(i)穿过两个杆将百叶窗(c)安装到开口前并固定到百叶窗框。不要拧得太紧。两个百叶窗杆应略有弯曲张力，但是环绕不能扭曲，否则横带将无法正确安装。

将横带(b)夹在百叶窗(c)上(图 39)。

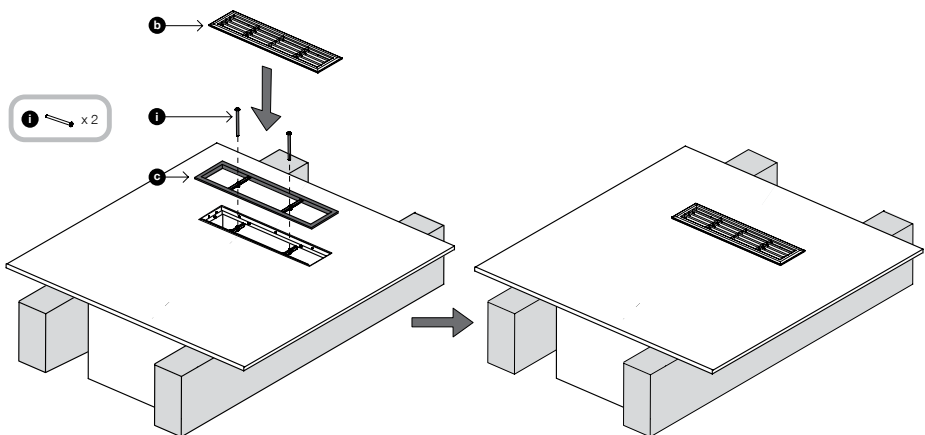


图 39

6 安装在厨房组件内

超低音将安装在橱柜的底架上，通过门下方的脚踏控制板通风。

撕下背纸，并沿百叶窗框的边缘将其中一个垫片条(f)固定到通风罩扩展。

将通风罩扩展(d)安装到主机壳的百叶窗框，使用10根No.4 x 10毫米螺钉(l)拧到预钻导孔(图40)。

安装到通风罩的百叶窗框模具上预装了垫片。安装扩展时必须压平，否则导孔将无法对齐，从而导致垫片无法正确压平。

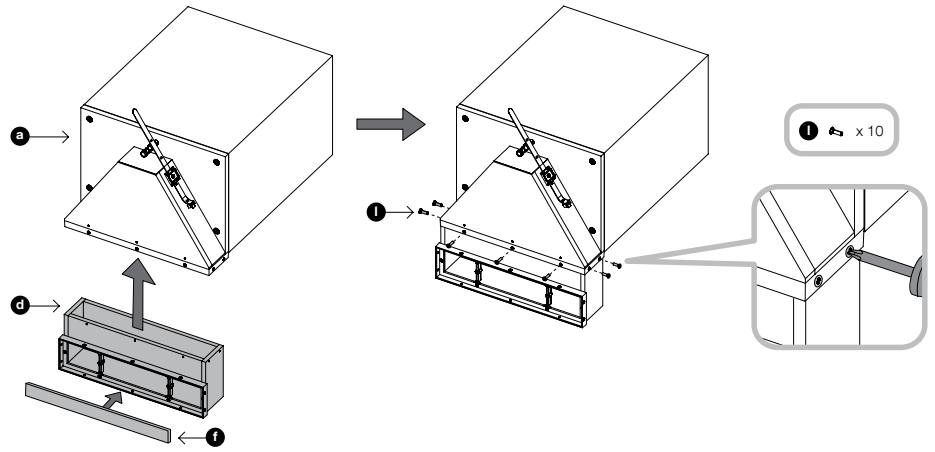


图 40

确保防松螺母完全拧紧到橡胶垫脚(k)的螺杆下，并将全部三个垫脚完全拧到超低音机壳的螺纹嵌件内(图41)。

! 确保从底架的表面向下在脚踏控制板30毫米(1.2英寸)上做一个标记。板的开孔顶点不能低于此线(图42)。

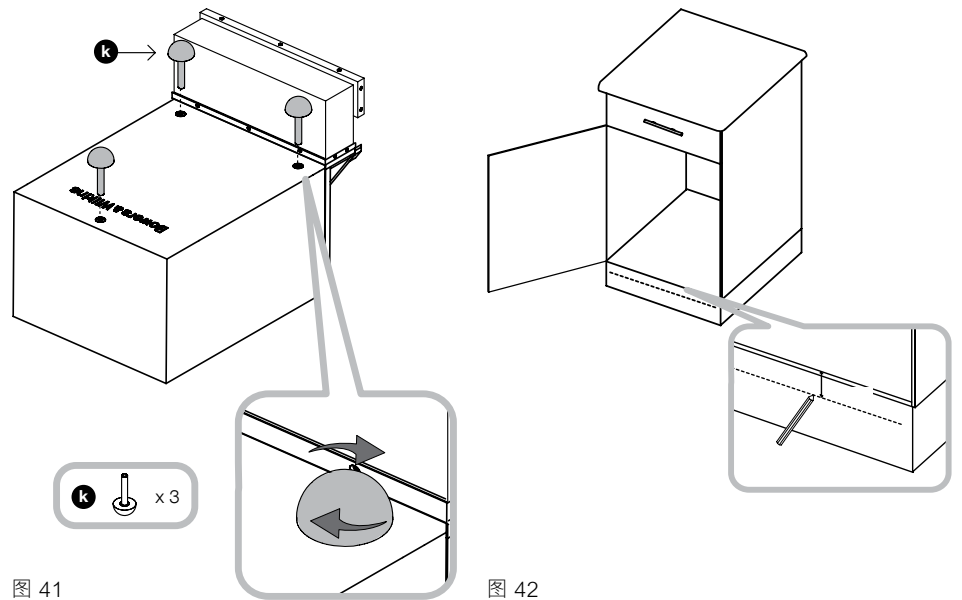


图 41

图 42

! 使用提供的模板，根据需要，在脚踏控制板上标记开孔。确保模板的顶点位于或高于标记，并呈方形对齐。

切割脚踏控制板上的孔以及橱柜底架上的孔，清除通风罩扩展。底架的孔前应与脚踏控制板的背面平齐(图43)。

为安装点使用适当规格的扬声器接线。

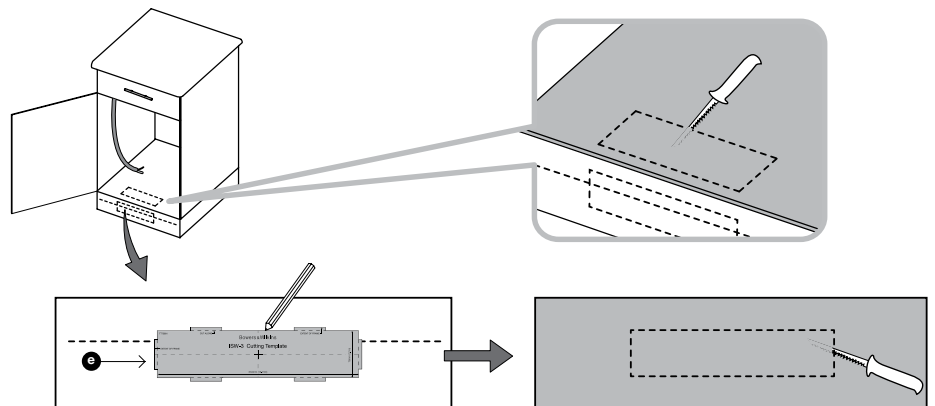


图 43

将超低音放在底架上。根据需要卸下垫脚，将通风罩扩展孔与脚踏控制板的开孔对齐。保持垫脚静止，将防松螺母拧到超低音机壳上以固定位置(图 44)。

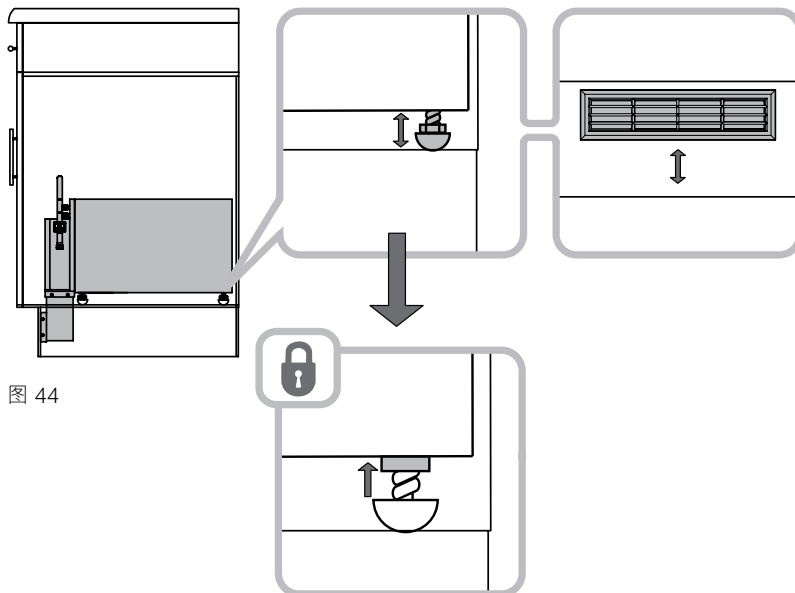


图 44

剥掉接线的两端并连接到弹簧端子上，确保极性正确。然后使用束线带将接线固定到通风罩以防止产生杂噪声(图 45)。

如有需要，可以涂抹百叶窗横带模具。

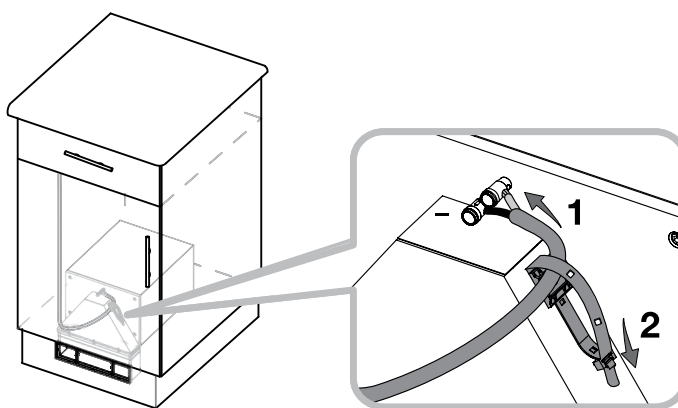


图 45

使用两根M3机用螺钉(i)穿过两个杆将百叶窗安装到开口前并固定到百叶窗框。不要拧得太紧。两个百叶窗杆应略有弯曲张力，但是环绕不能扭曲，否则横带将无法正确安装。

将横带夹在百叶窗上(图 46)。

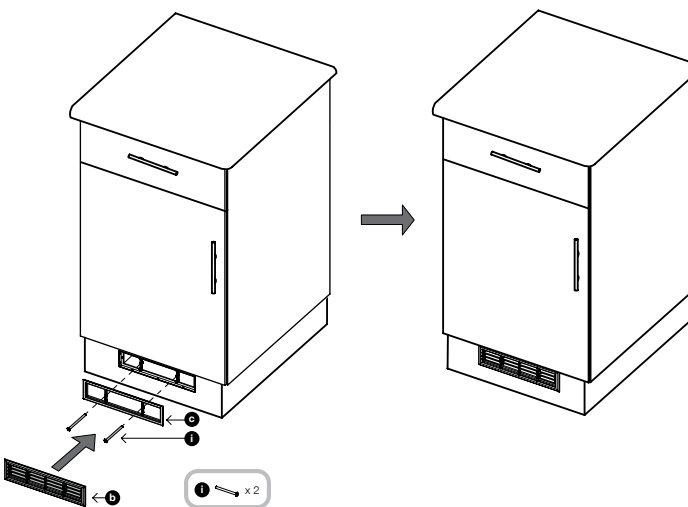


图 46

7 煲机

在初始试听阶段，扬声器的性能会发生细微变化。如果扬声器被安装在较冷的环境下，驱动单元的阻尼复合组件和悬挂材料会需要一些时间来恢复其正确的机械性能。驱动单元的悬挂部分也会在最初使用的几小时内松动。使扬声器达到理想性能状态的时间将因之前的储存状况和使用方法而有所变化。作为使用指引，可使用一周时间来稳定温度的影响，或者用平均使用15小时的时间来使机械部分达到理想的设计性能。

不过，也出现过更长时间的设备调试期(如一个月)。但证据显示这与扬声器的改变没多大关系，而与聆听者适应新的声音关系更大。

8 保养

超低音不需要保养，但需要定期卸下和清理百叶窗横带。

如果超低音安装在地板下，请定期卸下百叶窗横带和真空通风罩，以除去可能掉落到其中的杂质（图 35）。